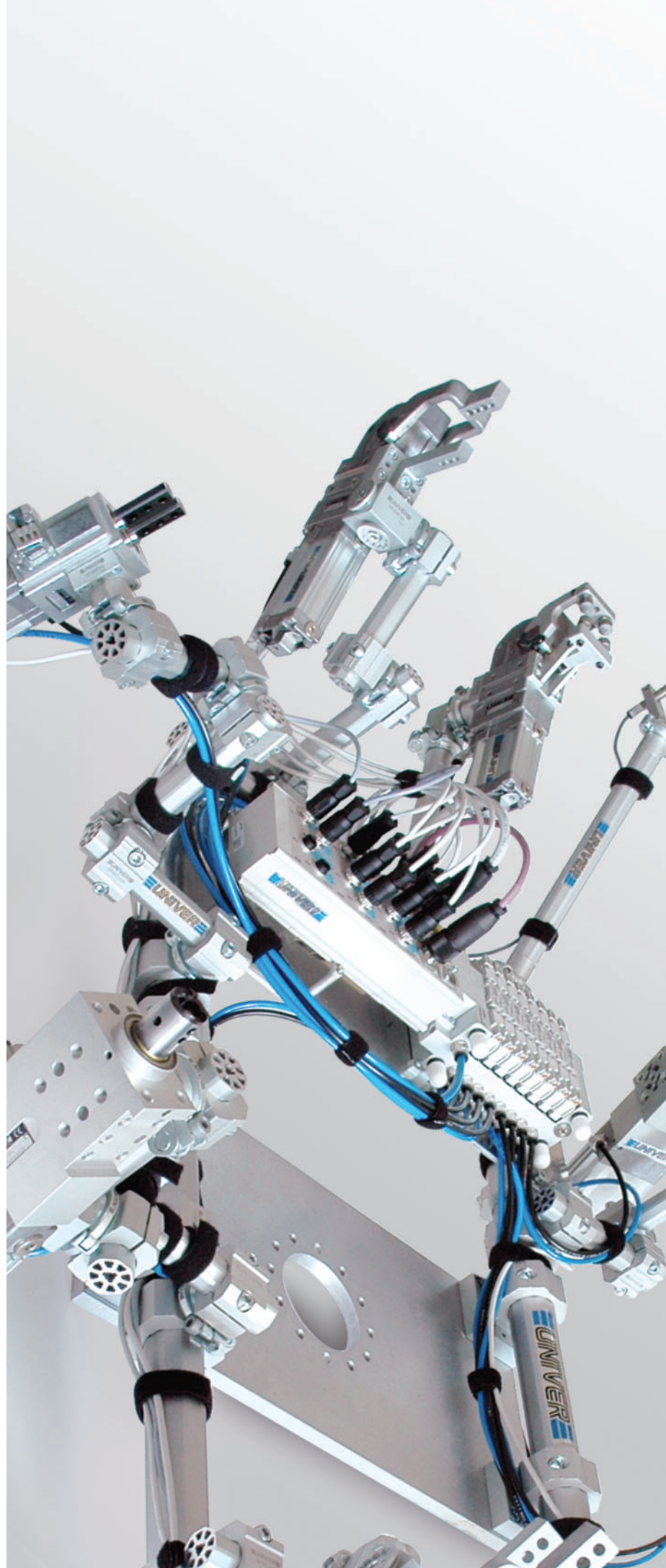
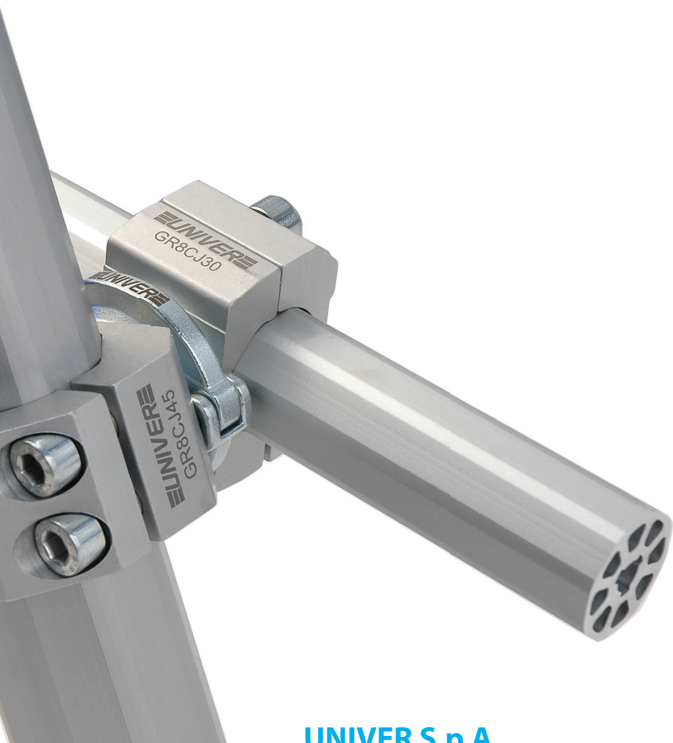


GR8

Modular Tooling System





UNIVER S.p.A.
Headquarters

I - 20128 **Milano**
Via Eraclito, 31
Tel. +39 02 25298.1
Fax +39 02 2575254
info@univer-group.com
www.univer-group.com

In light of technical updates, **Univer S.p.A.** reserves the right to modify technical features of their products with no obligation to issue prior notice.

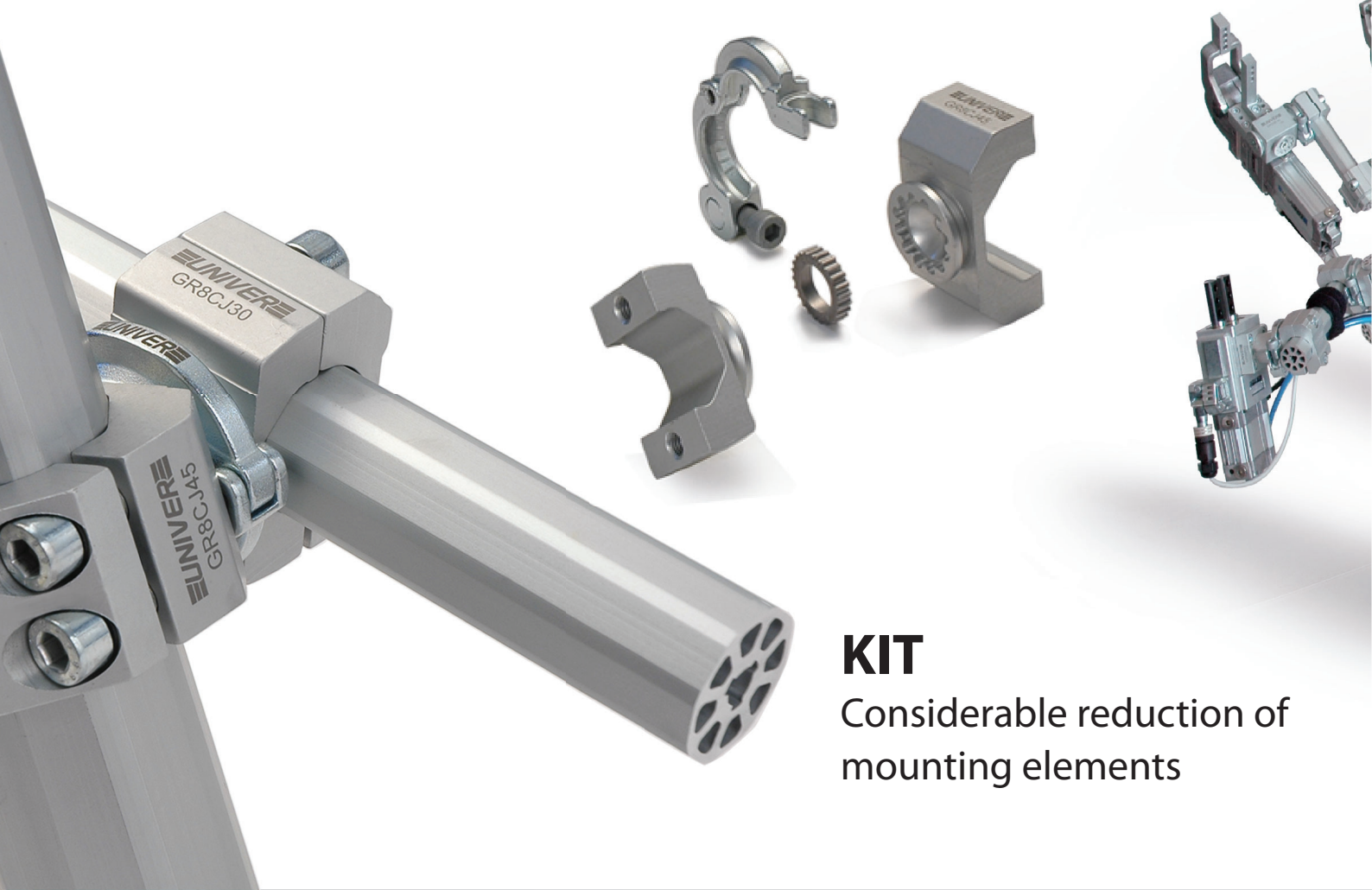
Information contained in the present catalogue is pure indication, for further details about product technical features and related parameter values to be respected for a proper functioning, please refer to the datasheets available at:
www.univer-group.com

All rights reserved to **Univer S.p.A.** Unauthorized reproduction prohibited.

INDEX

	PRODUCT OVERVIEW		6
1	BOOMS AND BOOM ADAPTERS		15
2	FRAME COMPONENTS		23
3	JOINTS		37
4	ANGLE ADAPTERS		49
5	BALL ADAPTERS		53
6	FRONT MOUNT PLATES		57
7	REAR MOUNT PLATE		65
8	GRIPPER ADAPTERS		71
9	RISERS		83

GR8 MODULAR TOOLING SYSTEM



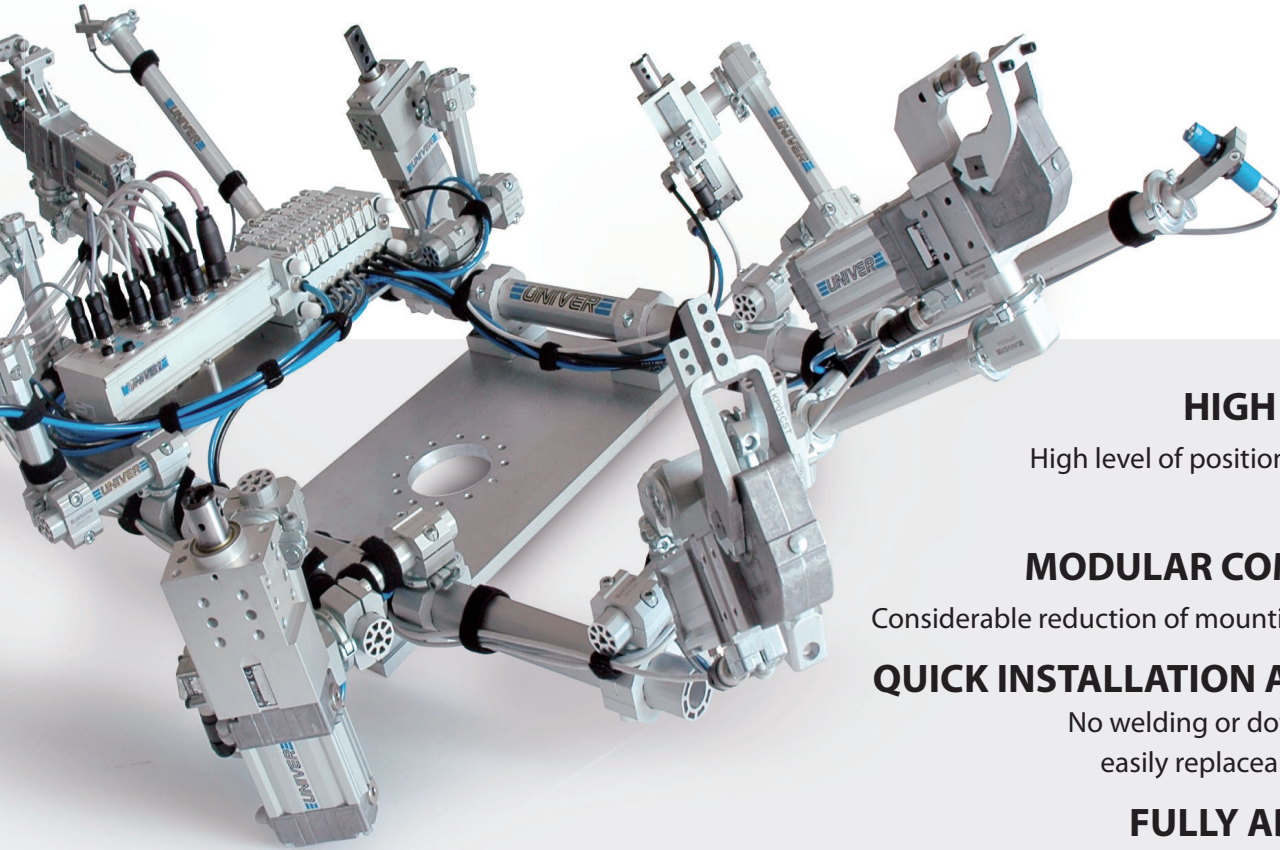
KIT

Considerable reduction of mounting elements

Ø 30 - 45 - 70 mm booms

Maximum stiffness and minimum weight





HIGH PRECISION

High level of positional repeatability;
low deflection

MODULAR COMPONENTS

Considerable reduction of mounting components

QUICK INSTALLATION AND SET UP

No welding or doweling required,
easily replaceable components

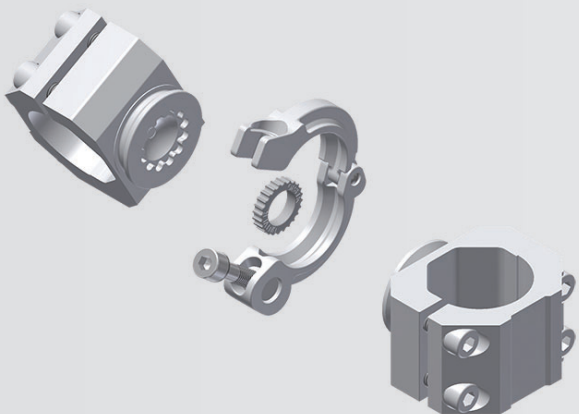
FULLY ADJUSTABLE

Unlimited orientation in space and free configuration

UNIVER Original

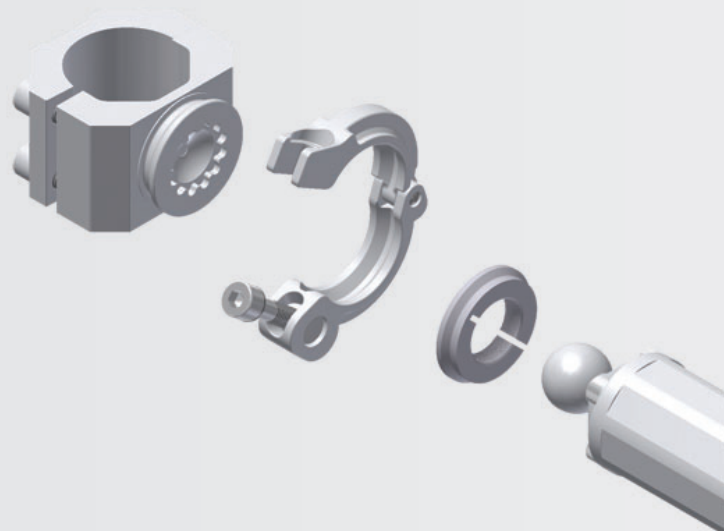
Locking ring

Precise and efficient system to guarantee a high level of positional accuracy



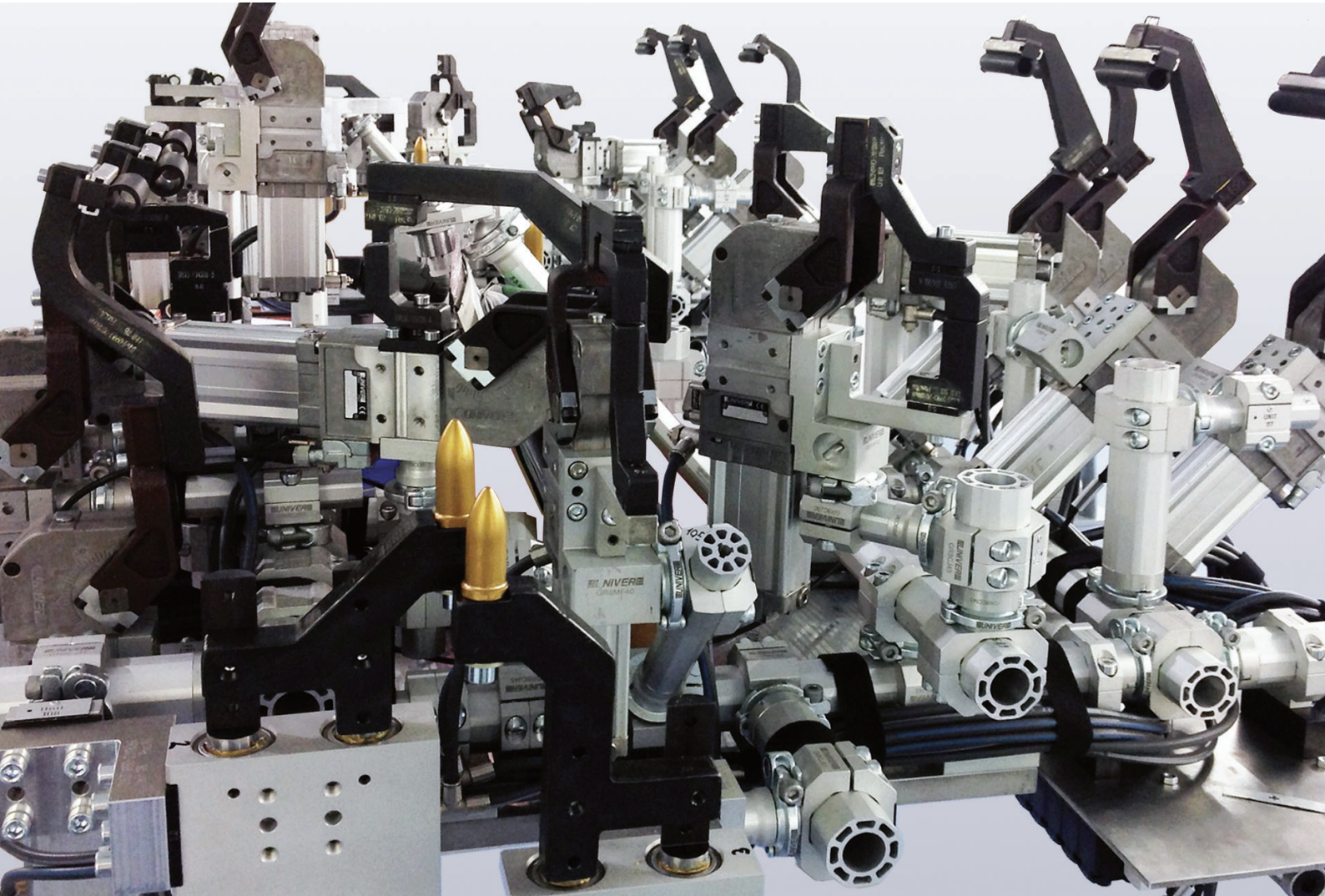
Ball mounting

Unlimited swivel rotation

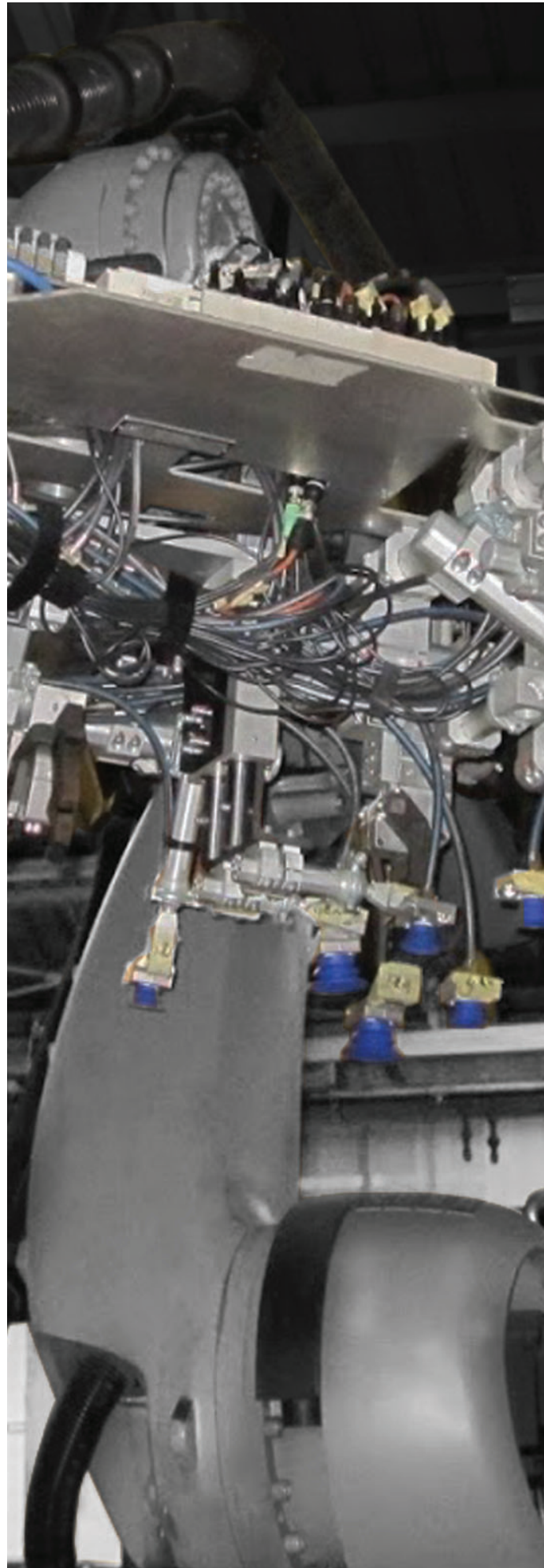
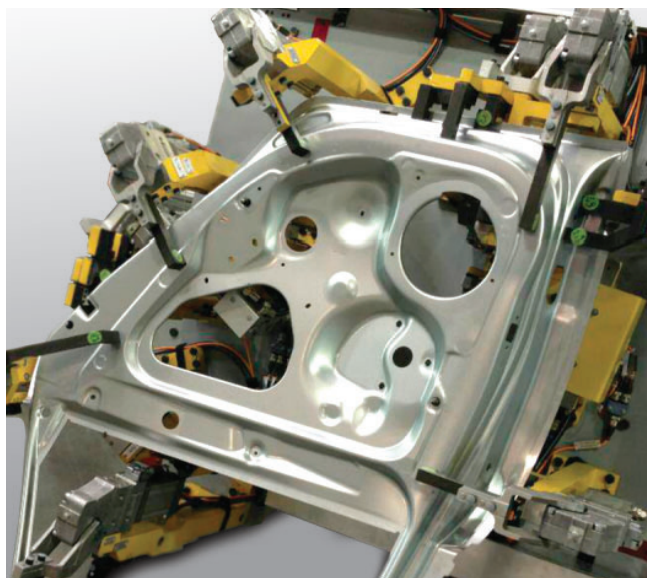
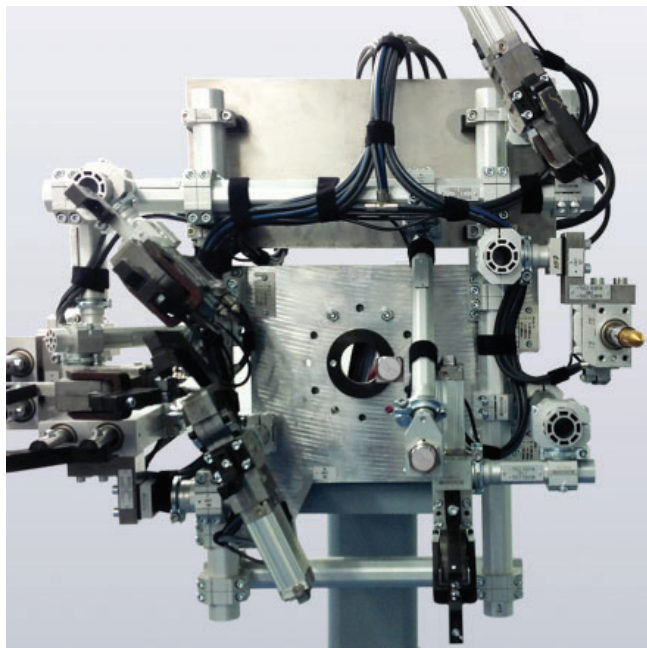
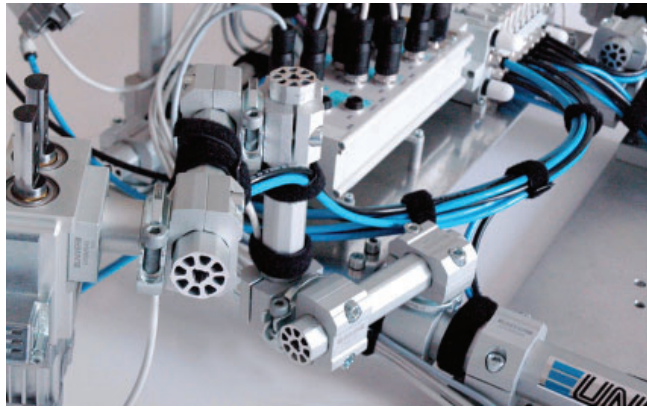


GR8 MODULAR TOOLING SYSTEM











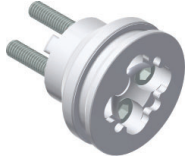
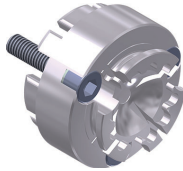
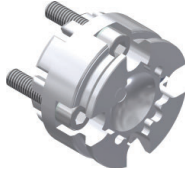
Application examples




- Unlimited and complex configurations
- Weight-optimized standard components and brackets
- Quick installation and adjustment
- Modular components


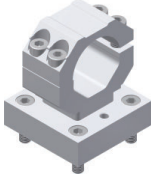
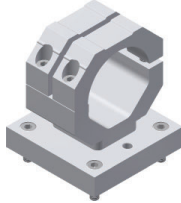


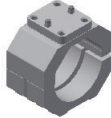
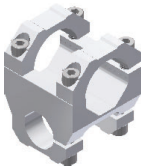

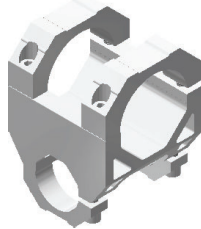

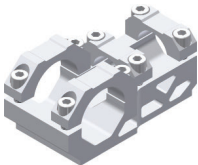
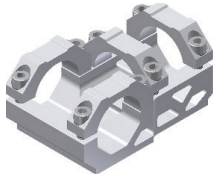
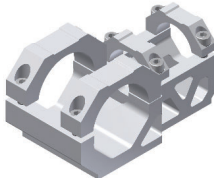
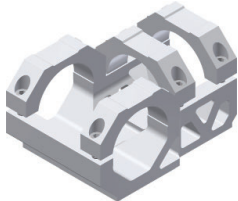
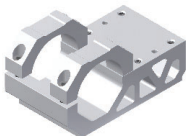
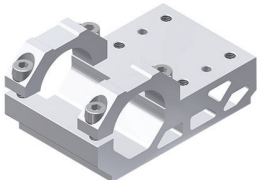
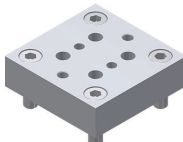


BOOMS AND BOOM ADAPTERS






<p>GR8B30S6000 Octagonal boom Ø30 mm</p>	<p>GR8B456000 Octagonal boom Ø45 mm</p>	<p>GR8B706000 Octagonal boom Ø70 mm</p>	
			
<p>GR8C30 Boom end - cap Ø30 mm</p>	<p>GR8C45 Boom end - cap Ø45 mm</p>	<p>GR8C70 Boom end - cap Ø70 mm</p>	
			
<p>GR8IK Interlocking key insert</p>	<p>GR8LH Locking ring</p>	<p>GR8LHD Locking ring D</p>	
			
<p>GR8SCI30C Interlocking end 30 for ball mounting</p>	<p>GR8SCI30D Interlocking end 30 D</p>	<p>GR8ECI45C Interlocking end 45 for ball mounting</p>	<p>GR8ECI45D Interlocking end 45 D</p>
	 <div data-bbox="711 1480 778 1547" style="float: right; background-color: #0070C0; color: white; padding: 2px 5px; border-radius: 3px;">200 Nm</div>		 <div data-bbox="1417 1480 1484 1547" style="float: right; background-color: #0070C0; color: white; padding: 2px 5px; border-radius: 3px;">200 Nm</div>


 Max static load

FRAME COMPONENTS

<p>GR8BB30 Base plate 30</p>	<p>GR8BB45 Base plate 45</p>	<p>GR8BB70 Base plate 70</p>	
			
<p>GR8BB30A Joint 30 without base</p>	<p>GR8BB45A Joint 45 without base</p>	<p>GR8BB70A Joint 70 without base</p>	
			
<p>GR8HD4530V Joint 45-30</p>	<p>GR8HD4545V Joint 45-45</p>	<p>GR8HD7045 Joint 70-45</p>	<p>GR8HD7070 Joint 70-70</p>
			
<p>GR8CM4530 Coplanar Mount 45-30</p>	<p>GR8CM4545 Coplanar Mount 45-45</p>	<p>GR8CM7045 Coplanar Mount 70-45</p>	<p>GR8CM7070 Coplanar Mount 70-70</p>
			
<p>GR8BL45 Base linear plate 45</p>	<p>GR8BL70 Base linear plate 70</p>	<p>GR8BB4530B Base plate</p>	
			

JOINTS

<p>GR8CJ30C Cross Joint 30 for ball mounting</p>	<p>GR8CJ30D Cross Joint 30 D</p>	<p>GR8CJ45C Cross Joint 45 for ball mounting</p>	<p>GR8CJ45D Cross Joint 45 D</p>
			
<p>GR8CJ70C Cross Joint 70 for ball mounting</p>	<p>GR8CJ70D Cross joint 70 D</p>	<p>GR8CJD30C Double cross joint 30 for ball mounting</p>	<p>GR8CJD30D Double cross joint 30 D</p>
			
<p>GR8CJD45C Double cross joint 45 for ball mounting</p>	<p>GR8CJD45D Double cross joint 45 D</p>	<p>GR8RJ30C Round Joint 30 for ball mounting</p>	<p>GR8RJ30D Round Joint 30 D</p>
			
<p>GR8RJ45C Round Joint 45 for ball mounting</p>	<p>GR8RJ45D Round Joint 45 D</p>	<p>GR8RJ70C Round Joint 70 for ball mounting</p>	<p>GR8RJ70D Round joint 70 D</p>
			

 Max static load

JOINTS

<p>GR8BC30 30 base connector</p>	<p>GR8BC45 45 base connector</p>	<p>GR8BC70 70 base connector</p>
		
<p>GR8R3025 Adapter octagon 30 to round 25</p>	<p>GR8R4540 Adapter octagon 45 to round 40</p>	
		

ANGLE ADAPTERS

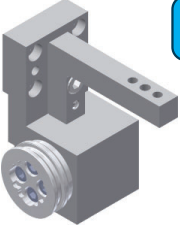

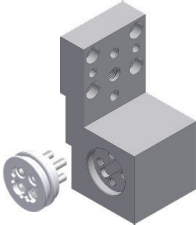
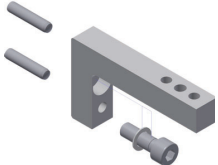

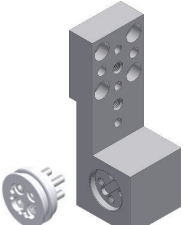
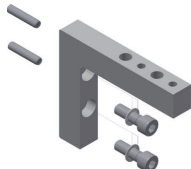
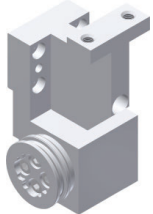
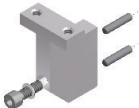
<p>GR8A30D Edge mount orientable side D for 30 mm boom</p>	<p>GR8A45D Edge mount orientable side D for 45 mm boom</p>	<p>GR8SM3030 Edge mounting 30-30</p>	<p>GR8SM4545 Edge mounting 45-45</p>
			

BALL ADAPTERS

<p>GR8MP12 Proximity mount 12 mm</p>	<p>GR8MP18 Proximity mount 18 mm</p>	<p>GR8MP30 Proximity mount 30 mm</p>	<p>GR8MP19 Vacuum cup adapter</p>
			
<p>GR8SCB30 Ball mount 30</p>	<p>GR8SCB45 Ball mount 45</p>		
			

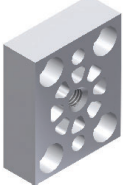
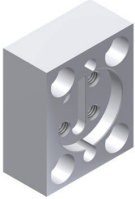
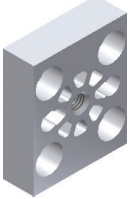
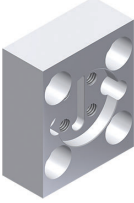
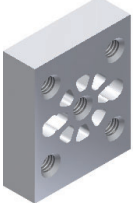



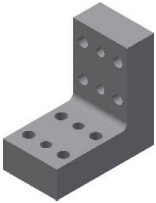
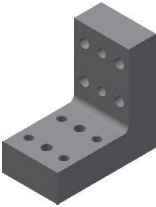
 Max static load

FRONT MOUNT PLATE

<p>GR8MF40D Front mount plate D for clamps size 40</p>	<p>GR8RMF4050AD Interlocking adapter for GR8MF40D, GR8MF50D, GR8MFGLD</p>	<p>GR8MF40PD Mount plate for GR8MF40D</p>	<p>GR8RMF40C Mount flange angle for GR8MF40D</p>
 <p>200 Nm</p>	 <p>200 Nm</p>	 <p>200 Nm</p>	
<p>GR8MF50D Front mount plate D for clamps size 50/63</p>	<p>GR8MF50PD Mount plate for GR8MF50D</p>	<p>GR8RMF50C Mount flange angle for GR8MF50D</p>	<p>GR8MFGLD Front mount plate D for gripper units</p>
 <p>200 Nm</p>	 <p>200 Nm</p>		 <p>200 Nm</p>
<p>GR8MFGLC Counter mount for GR8MFGLD</p>			
			

200 Nm Max static load


REAR MOUNT PLATES

<p>GR8SR40 Rear mount plate for clamps size 40</p>	<p>GR8SR40D Rear mount plate D for clamps size 40</p>	<p>GR8SR50 Rear mount plate for pin unit size 50</p>	<p>GR8SR50D Rear mount plate D for pin unit size 50</p>
			
<p>GR8SR50M8 Rear mount plate with M8 threads for clamps size 50/63</p>	<p>GR8SR50M8D Rear mount plate D with M8 threads for clamps size 50/63</p>	<p>GR8SB4530 Rear mount plate</p>	<p>GR8SB4530M8 Rear mount plate with M8 threads</p>
			
<p>GR8SSLC Flange mount for pin unit</p>	<p>GR8SSLCM8 Flange mount for - with M8 threads</p>		
			

RISERS



<p>GR8SK30 Riser size 30</p>	<p>GR8SK45 Riser size 45</p>	<p>GR8SK70 Riser size 70</p>
		

LGPS ADAPTERS

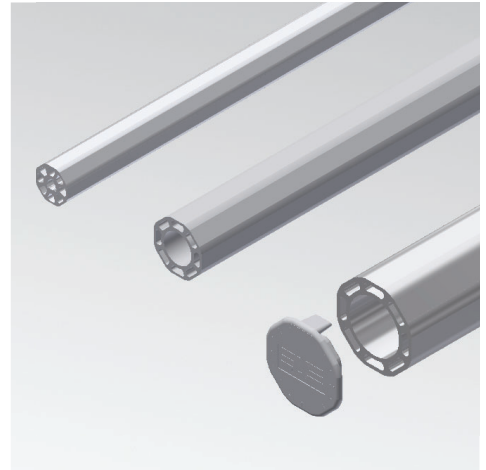
<p>LGP32MO25 Orbital mount 360°, ball Ø25 mm for grippers Ø32</p>	<p>LGP32MO30 Orbital mount 360°, ball Ø30 mm for grippers Ø32</p>	<p>LGP32MP Middle flange mount for grippers Ø32</p>	<p>LGP40MP Middle flange mount for grippers Ø40</p>
			
<p>LGP40MO25 Orbital mount 360°, ball Ø 25mm for grippers Ø40</p>	<p>LGP40MO30 Orbital mount 360°, ball Ø30 mm for grippers Ø40</p>	<p>LGP40MO40 Orbital mount 360°, ball Ø40 mm for grippers Ø40</p>	<p>LGP40MO45 Orbital mount 360°, ball Ø45 mm for grippers Ø40</p>
			
<p>LGP32PT070 Rear flange mount 70 mm for grippers Ø32</p>	<p>LGP40PT080 Rear flange mount 80 mm for grippers Ø40</p>	<p>LGP40PT110 Rear flange mount 110 mm for grippers Ø40</p>	
			

1

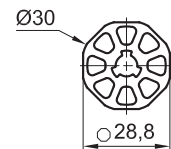
BOOMS AND BOOM ADAPTERS

	Octagonal booms	GR8B30S6000	16
		GR8B456000	17
		GR8B706000	18
		GR8C30	19
		GR8C45	19
		GR8C70	19
	Interlocking key insert and locking ring	GR8IK	20
		GR8LH	20
		GR8LHD	20
	Interlocking end	GR8SCI30C	21
		GR8SCI30D	21
		GR8ECI45C	21
		GR8ECI45D	22

Octagonal Booms

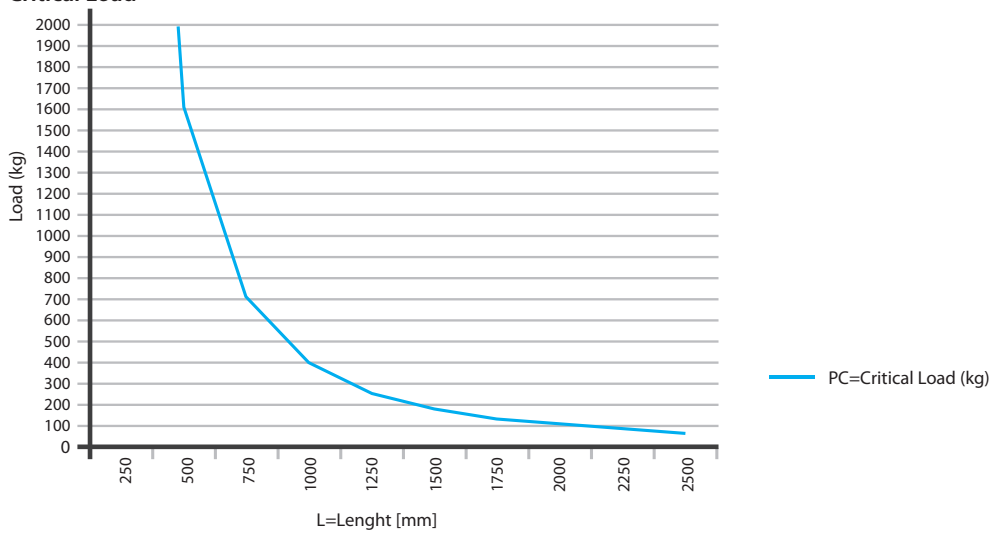


GR8B30S6000 Ø30 mm Octagonal boom

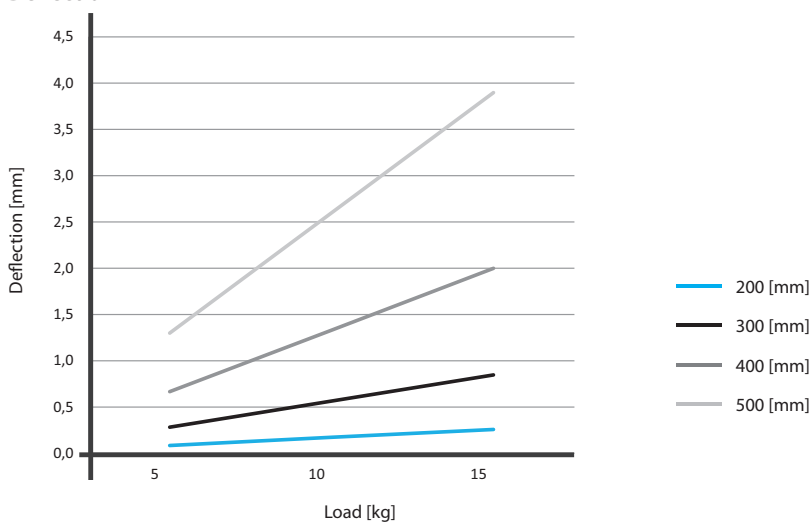


Material:	Aluminium
Weight Ø 30 mm:	1,04 Kg/m
Moment of inertia:	$I_x = 2,326 \text{ cm}^4$ $I_y = 2,326 \text{ cm}^4$
Section modulus:	$W_x = 1,615 \text{ cm}^3$ $W_y = 1,615 \text{ cm}^3$

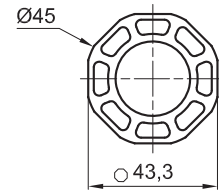
Critical Load



Deflection

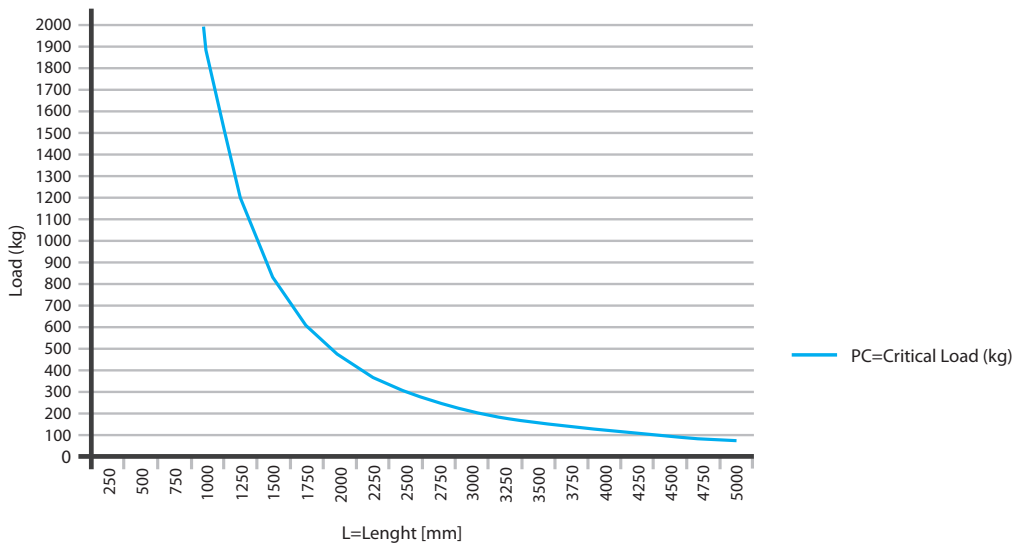


GR8B456000 Ø45 mm Octagonal boom

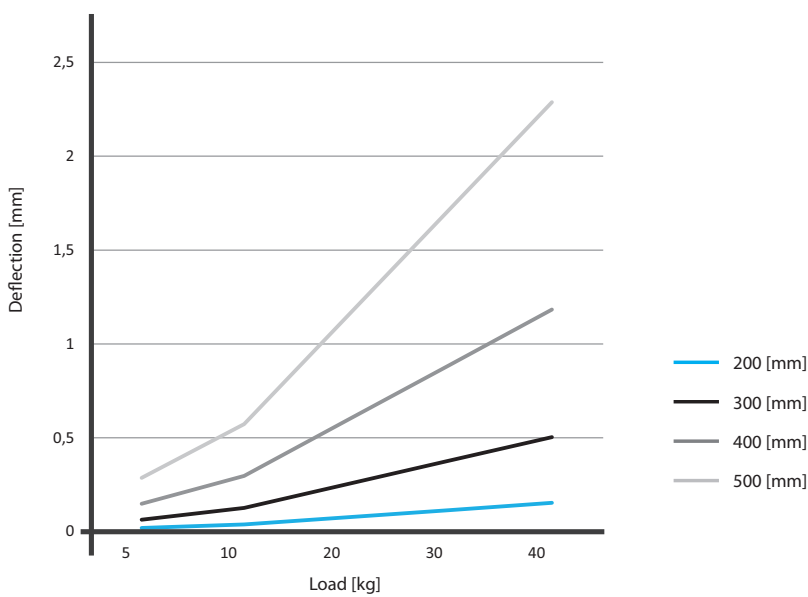


Material:	Aluminium	
Weight Ø 45 mm:	1,74 Kg/m	
Moment of inertia:	$I_x = 10,713 \text{ cm}^4$	$I_y = 10,713 \text{ cm}^4$
Section modulus:	$W_x = 4,926 \text{ cm}^3$	$W_y = 4,926 \text{ cm}^3$

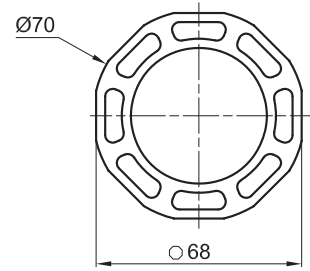
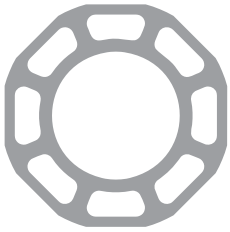
Critical Load



Deflection

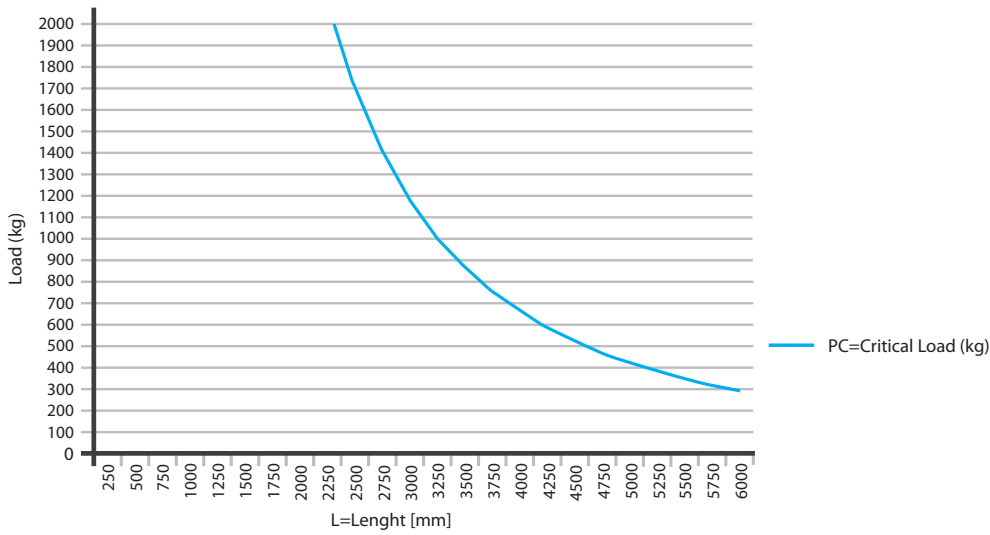


GR8B706000 Ø70 mm Octagonal boom

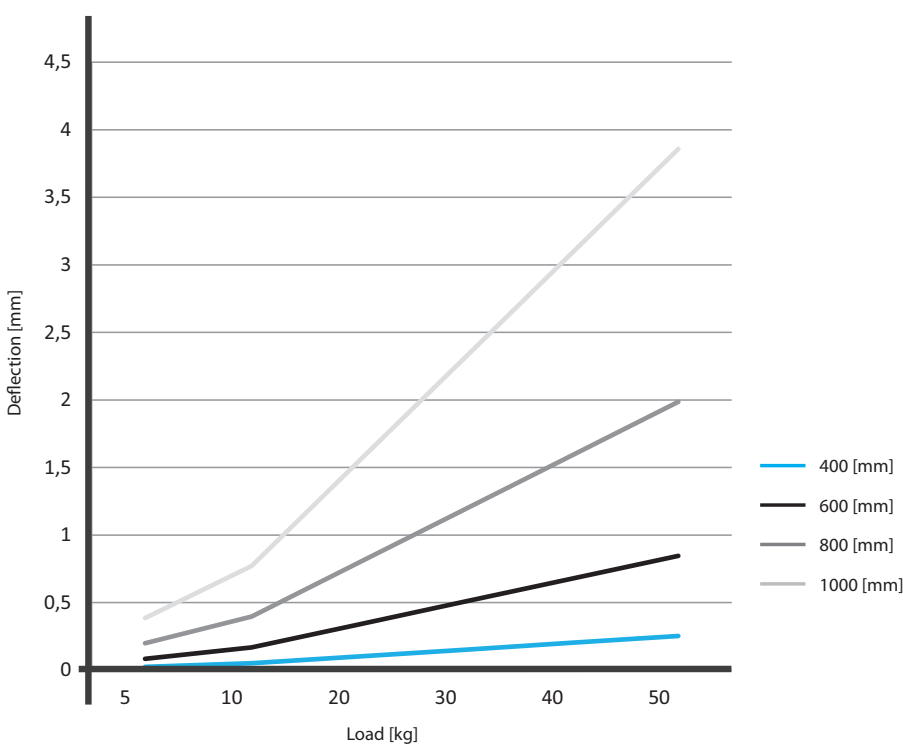


Material:	Aluminium
Weight Ø 70 mm:	3,77 Kg/m
Moment of inertia:	$I_x = 60,861 \text{ cm}^4$ $I_y = 60,861 \text{ cm}^4$
Section modulus:	$W_x = 17,9 \text{ cm}^3$ $W_y = 17,9 \text{ cm}^3$

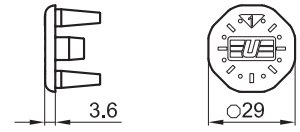
Critical Load



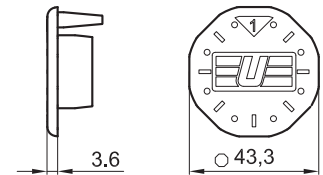
Deflection



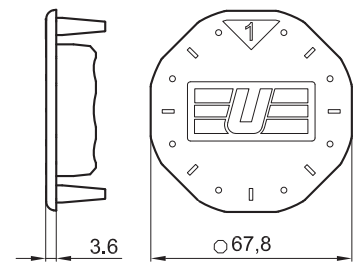
GR8C30 Ø30 mm Octagonal boom end cap



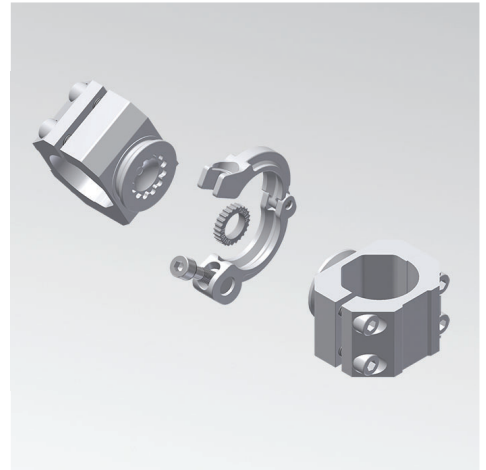
GR8C45 Ø45 mm Octagonal boom end cap



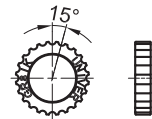
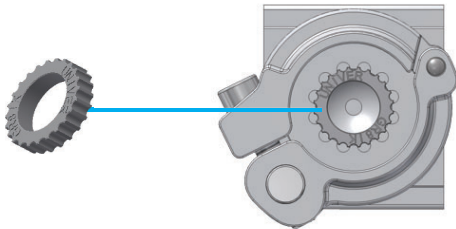
GR8C70 Ø70 mm Octagonal boom end cap



Interlocking key insert and locking ring

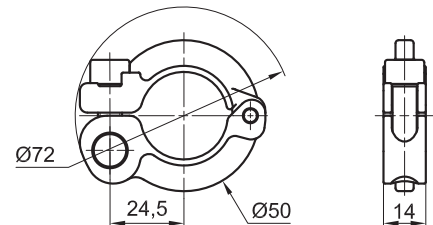


GR8IK Interlocking key insert



Material: Steel
Weight: 0,09 kg

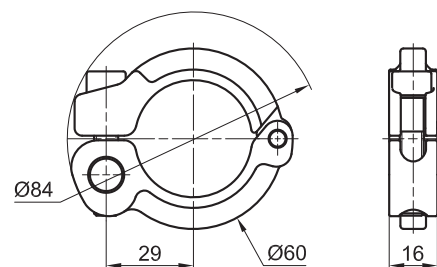
GR8LH Locking ring



	Tightening torque	Screw
GR8LH	28 Nm	M8 x 35

Material: Steel
Weight: 0,118 kg

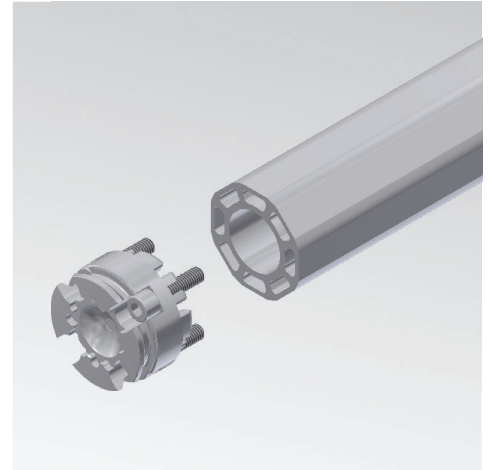
GR8LHD Locking ring



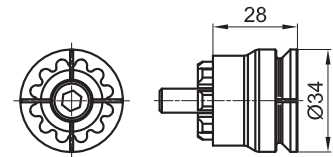
	Tightening torque	Screw
GR8LHD	28 Nm	M8 x 40

Material: Steel
Weight: 0,178 kg

Interlocking end

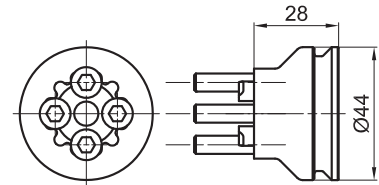


GR8SCI30C Interlocking end 45 for ball mounting



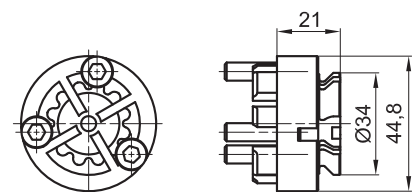
	Tightening torque	Screw
GR8SCI30C	10 Nm	M8x30
Material:	Aluminium	
Weight:	0,068 kg	
Max static load:	80 Nm	

GR8SCI30D Interlocking end 30 D



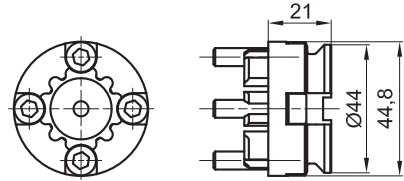
	Tightening torque	Screw
GR8SCI30D	10 Nm	M6x35
Material:	Aluminium	
Weight:	0,105 kg	
Max static load:	200 Nm	

GR8ECI45C Interlocking end 45 for ball mounting



	Tightening torque	Screw
GR8ECI45C	10 Nm	M6x25
Material:	Aluminium	
Weight:	0,092 kg	
Max static load:	80 Nm	

GR8ECI45D Interlocking end 45 D



	Tightening torque	Screw
GR8ECI45D	10 Nm	M6x25

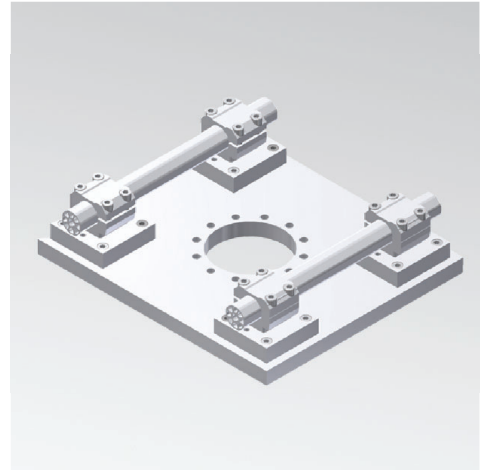
Material:	Aluminium
Weight:	0,104 kg
Max static load:	200 Nm

2

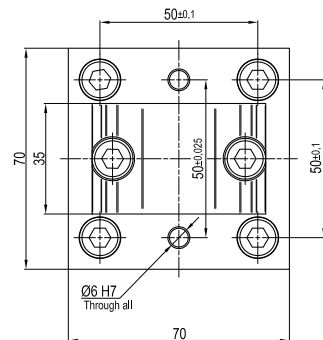
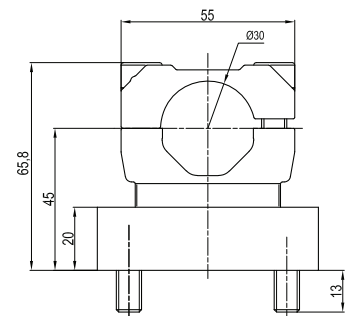
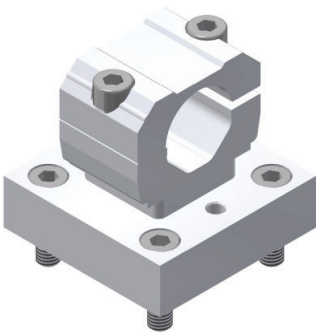
FRAME COMPONENTS

	Base plates	GR8BB30	24
		GR8BB30A	24
		GR8BB45	25
		GR8BB45A	25
		GR8BB70	26
GR8BB70A	26		
	Joints	GR8HD4530V	27
		GR8HD4545V	28
		GR8HD7045	29
		GR8HD7070	30
	Coplanar mounts	GR8CM4530	31
		GR8CM4545	31
		GR8CM7045	32
		GR8CM7070	33
	Base linear plates	GR8BL45	34
		GR8BL70	35
		GR8BB4530B	36

Base plate

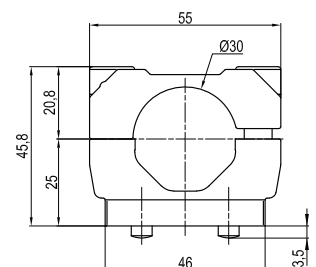
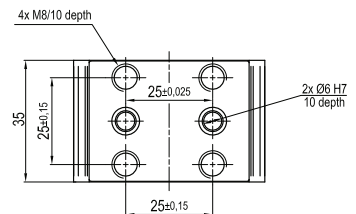


GR8BB30 Base plate 30



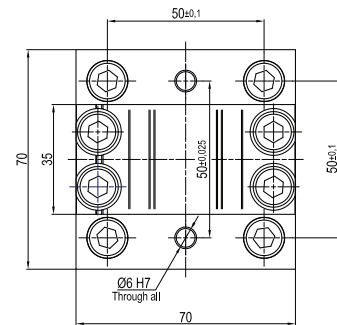
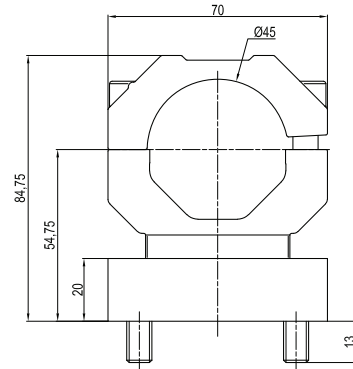
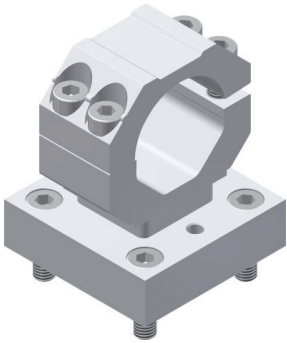
	Tightening torque	Screw
GR8BB30	25 Nm	M8x20 and M8x25
Material:	Aluminium	
Weight:	0,5 kg	
Max static load:	135 Nm	

GR8BB30A Joint 30 without base



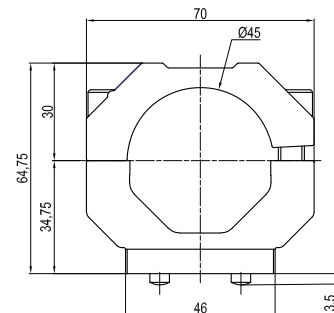
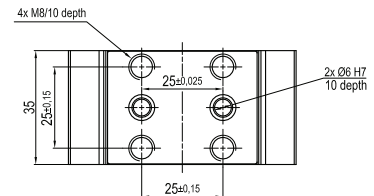
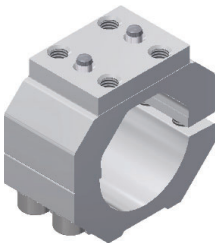
	Tightening torque	Screw
GR8BB30A	25 Nm	M8x25
Material:	Aluminium	
Weight:	0,17 kg	
Max static load:	135 Nm	

GR8BB45 Base plate bracket 45

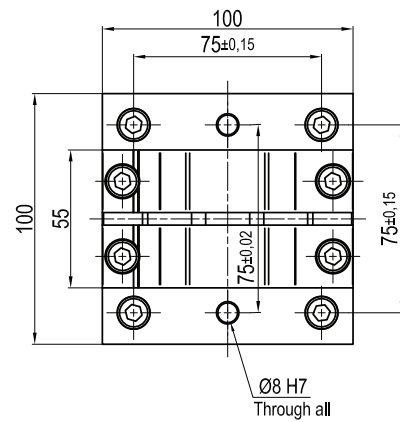
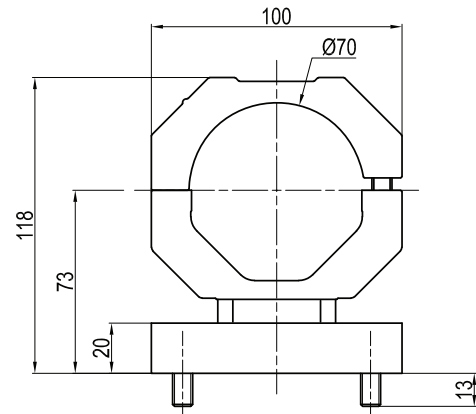
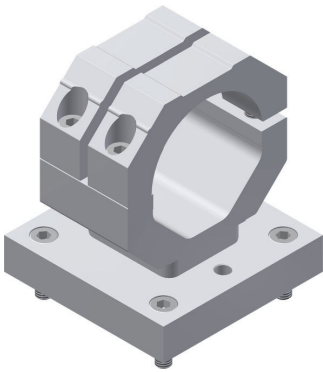


	Tightening torque	Screw
GR8BB45	25 Nm	M8x20 and M8x25
Material:	Aluminium	
Weight:	0,6 kg	
Max static load:	290 Nm	

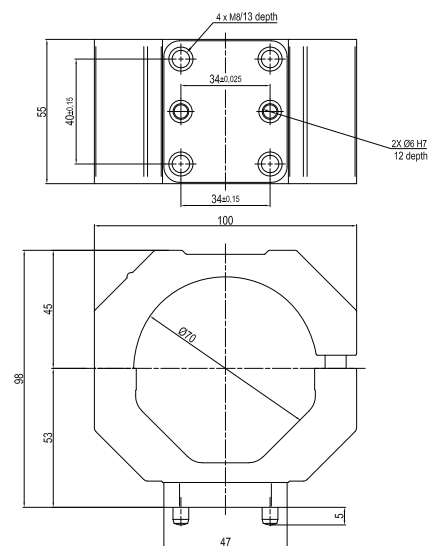
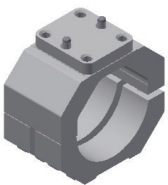
GR8BB45A Joint 45 without base



	Tightening torque	Screw
GR8BB45A	25 Nm	M8x25
Material:	Aluminium	
Weight:	0,26 kg	
Max static load:	290 Nm	

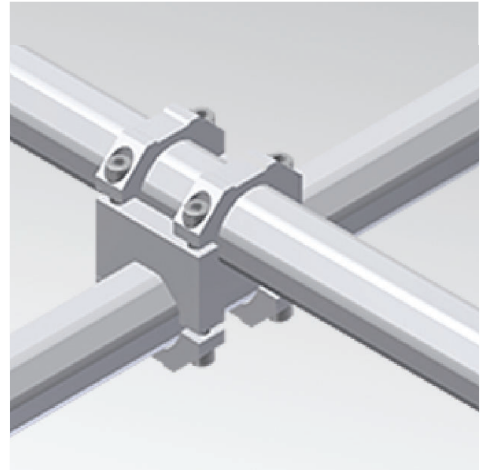
GR8BB70 Base plate 70


	Tightening torque	Screw
GR8BB70	25 Nm	M8x20 and M8x25
Material:	Aluminium	
Weight:	1,26 kg	
Max static load:	390	

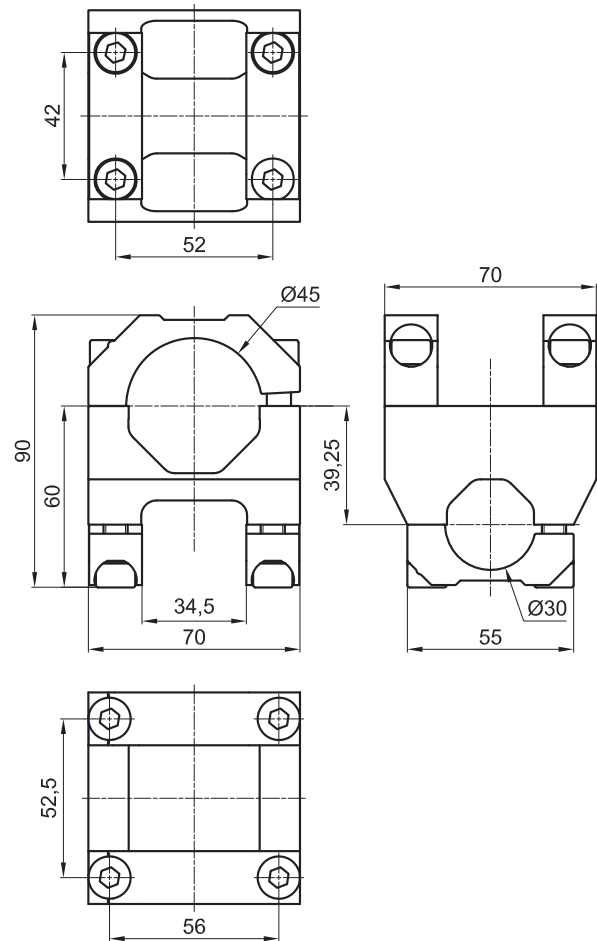
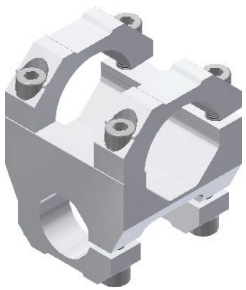
GR8BB70A Joint 70 without base


	Tightening torque	Screw
GR8BB70A	25 Nm	M8x25
Material:	Aluminium	
Weight:	0,7 kg	
Max static load:	390	

Joints

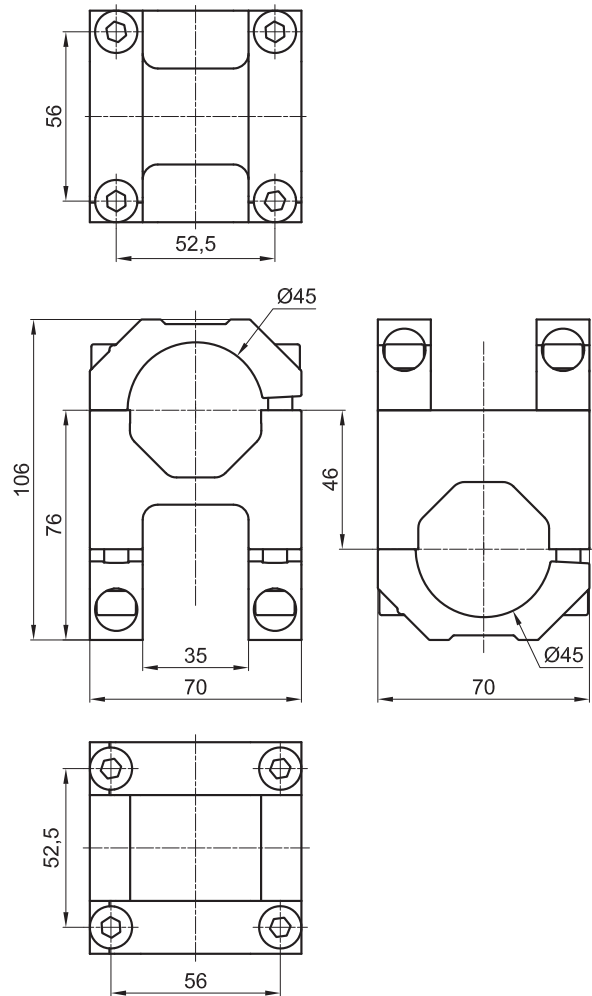


GR8HD4530V Joint 45-30



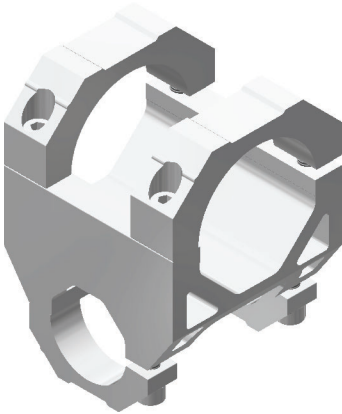
	Tightening torque	Screw
GR8HD4530V	25 Nm	M8x25
Material:	Aluminium	
Weight:	0,5 kg	
Max static load:	290 Nm	

GR8HD4545V Joint 45-45

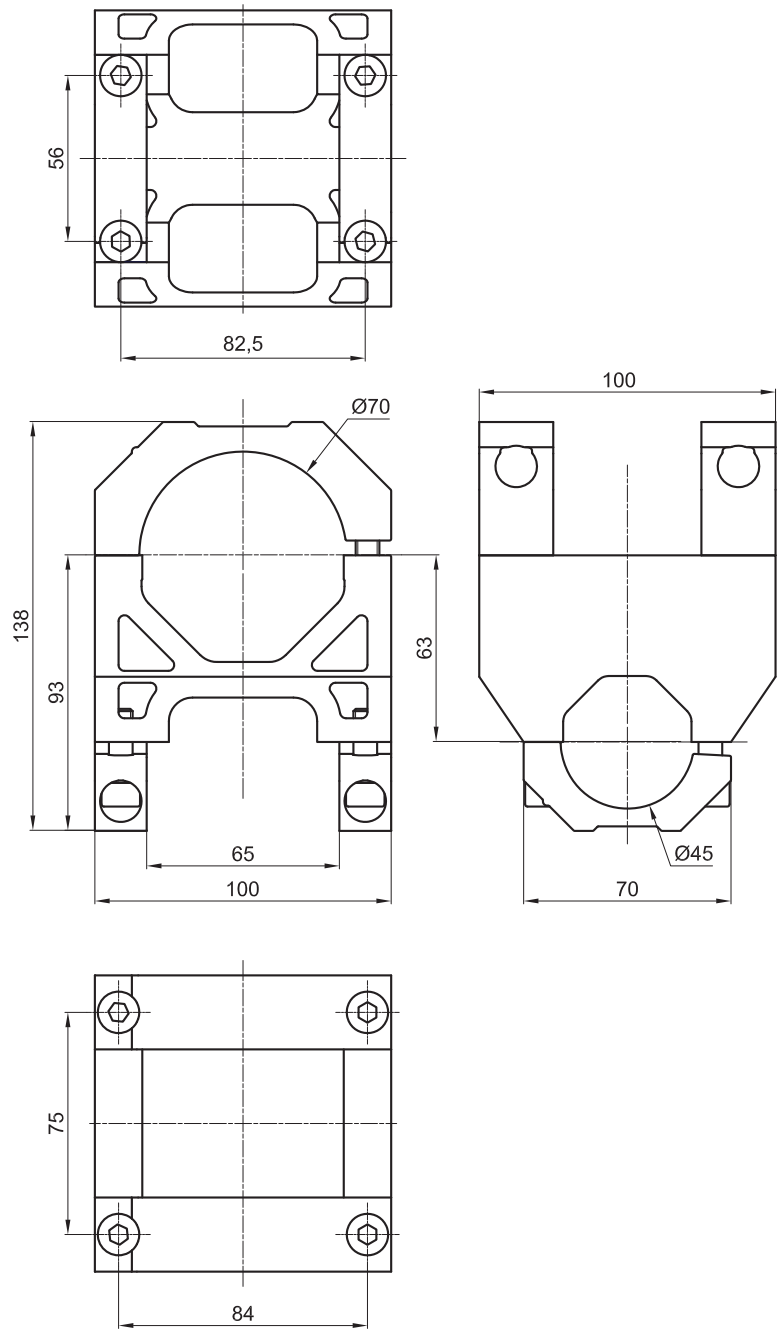


	Tightening torque	Screw
GR8HD4545V	25 Nm	M8x25
Material:	Aluminium	
Weight:	0,54 kg	
Max static load:	480 Nm	

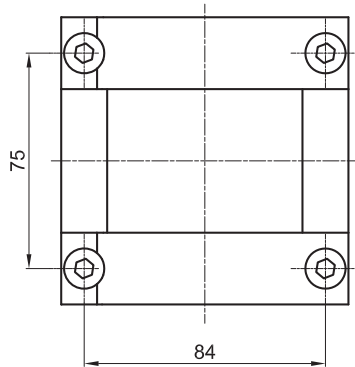
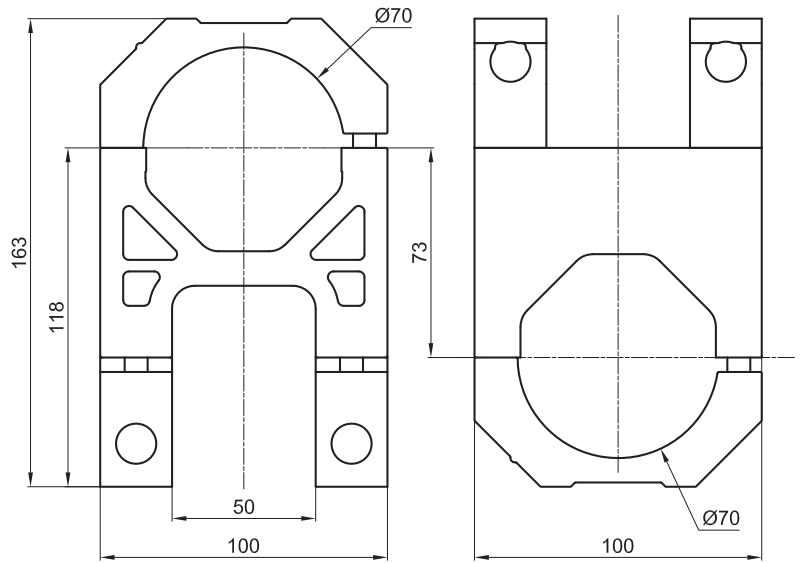
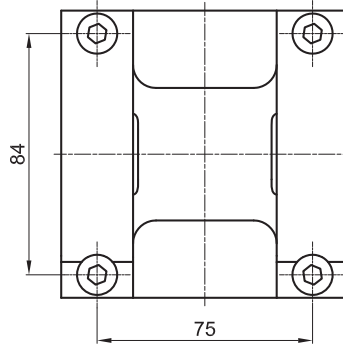
GR8HD7045 Joint 70-45



	Tightening torque	Screw
GR8HD7045	25 Nm	M8x25
Material:	Aluminium	
Weight:	1,05 kg	
Max static load:	480 Nm	

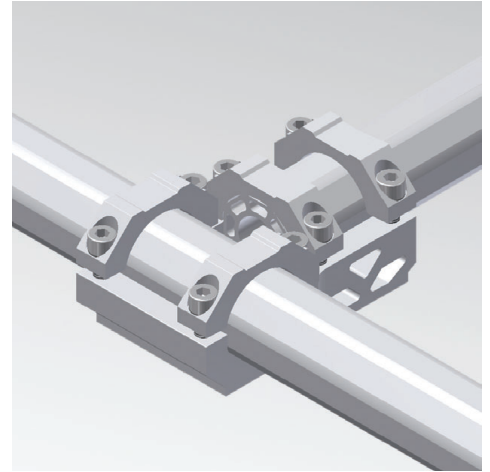


GR8HD7070 Joint 70-70

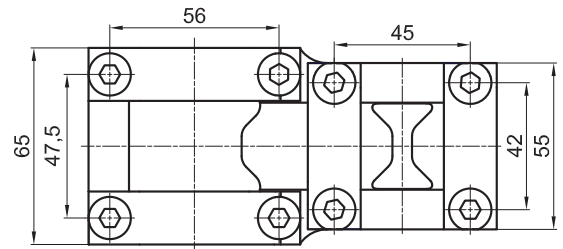
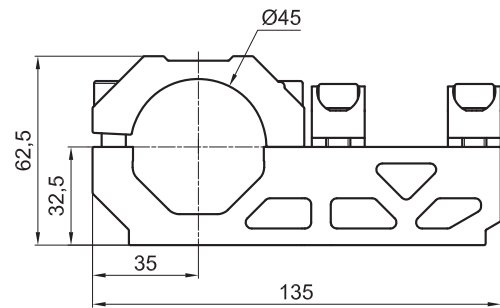
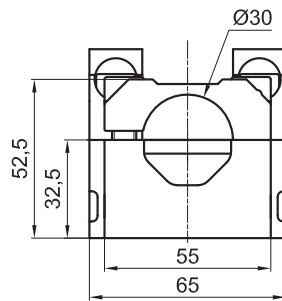
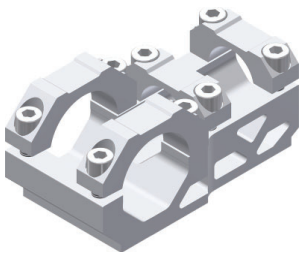


	Tightening torque	Screw
GR8HD7070	25 Nm	M8x25
Material:	Aluminium	
Weight:	1,2 kg	
Max static load:	800 Nm	

Coplanar mounts

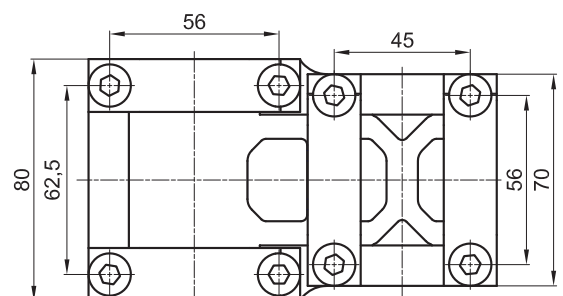
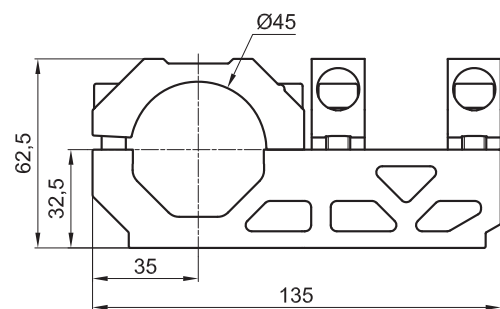
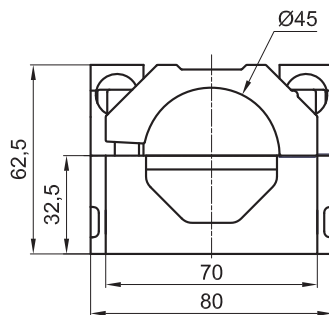
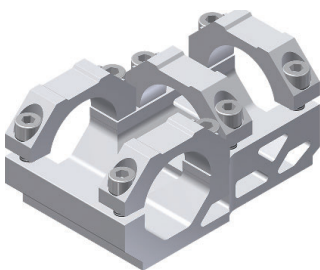


GR8CM4530 Coplanar mount 45-30



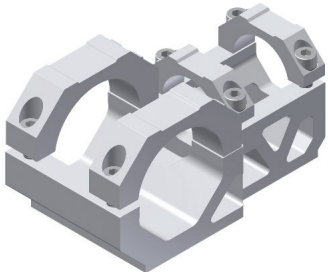
	Tightening torque	Screw
GR8CM4530	25 Nm	M8x25
Material:	Aluminium	
Weight:	0,6 kg	
Max static load:	280 Nm	

GR8CM4545 Coplanar mount 45-45

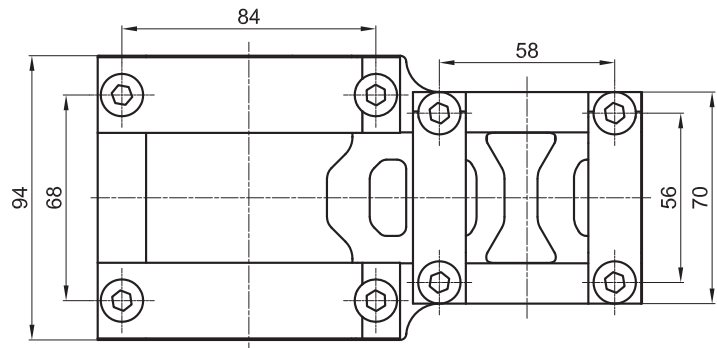
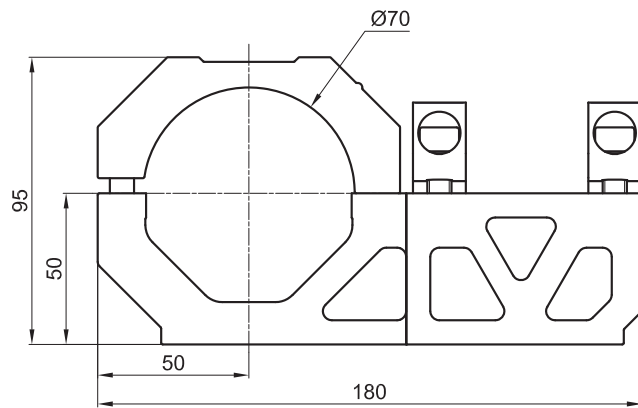
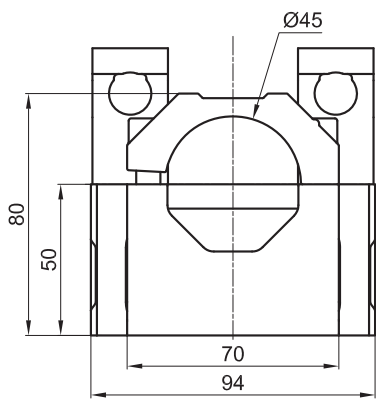


	Tightening torque	Screw
GR8CM4545	25 Nm	M8x25
Material:	Aluminium	
Weight:	0,68 kg	
Max static load:	280 Nm	

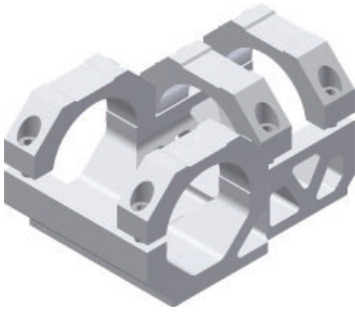
GR8CM7045 Coplanar mount 70-45



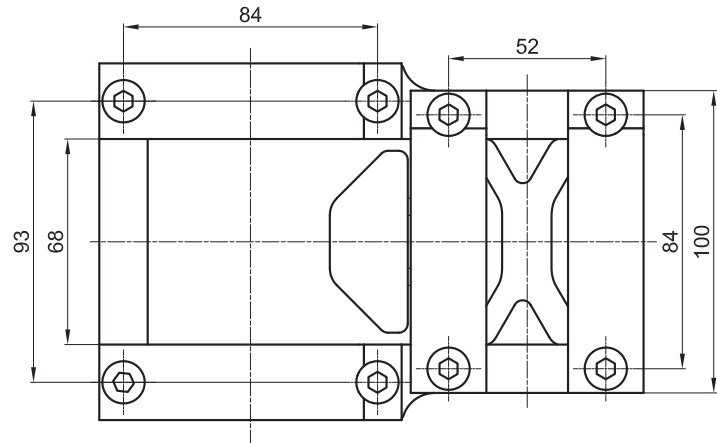
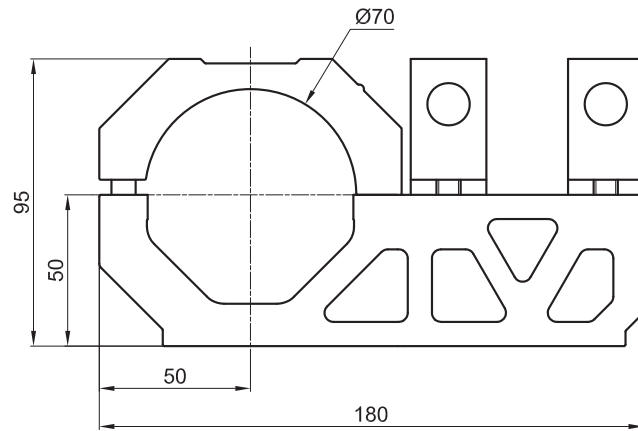
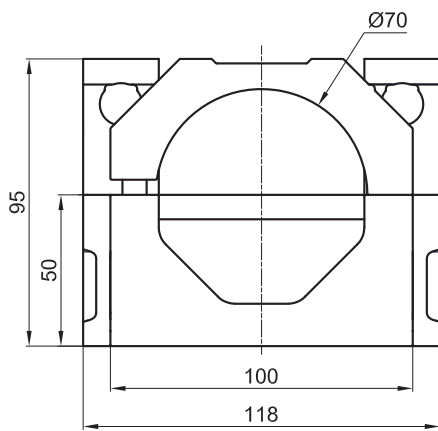
	Tightening torque	Screw
GR8CM7045	25 Nm	M8x25
Material:	Aluminium	
Weight:	1,4 kg	
Max static load:	470 Nm	



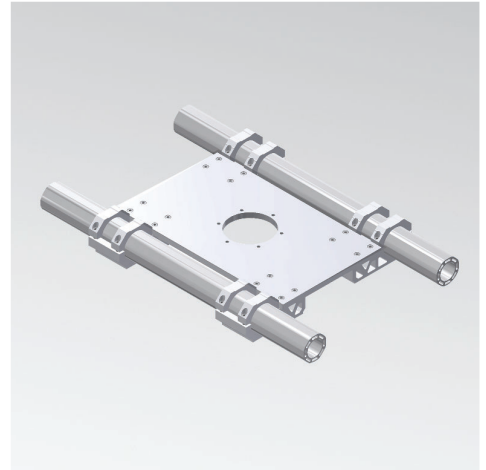
GR8CM7070 Coplanar mount 70-70



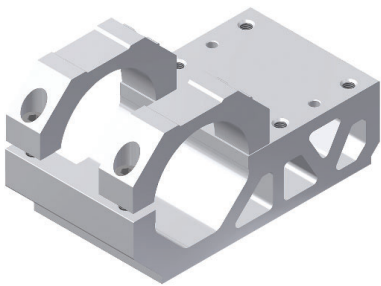
	Tightening torque	Screw
GR8CM7070	25 Nm	M8x25
Material:	Aluminium	
Weight:	1,68 kg	
Max static load:	750 Nm	



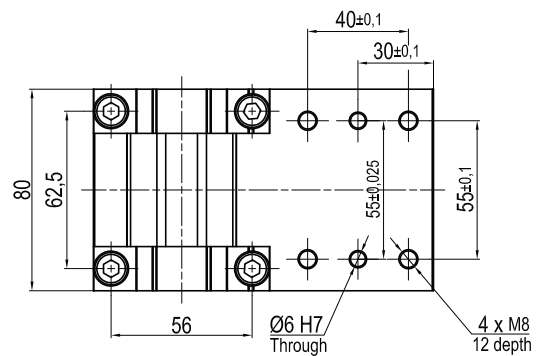
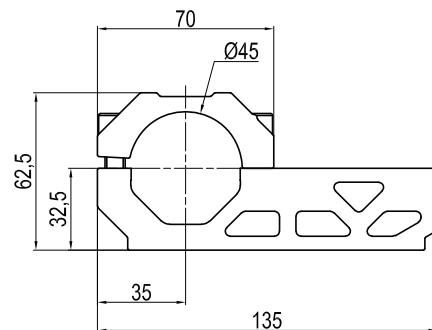
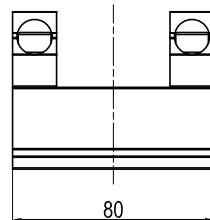
Base linear plates



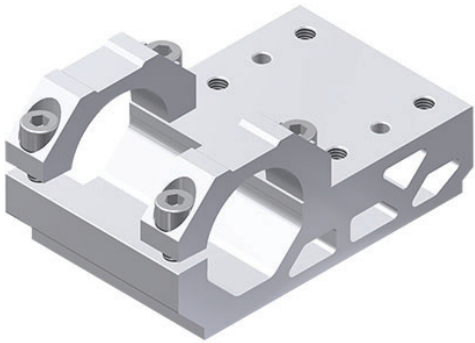
GR8BL45 Base linear plate 45



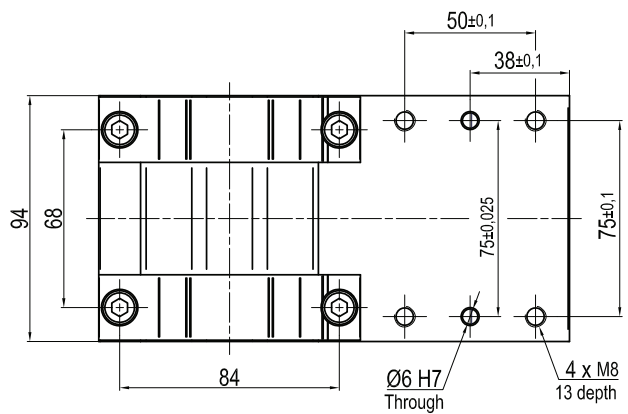
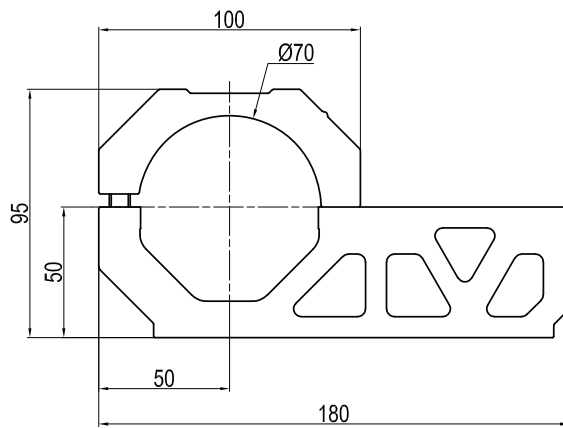
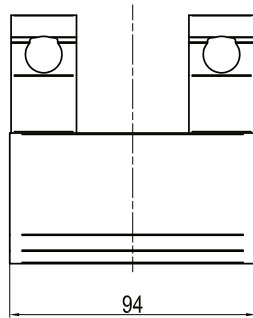
	Tightening torque	Screw
GR8BL45	25 Nm	M8x25
Material:	Aluminium	
Weight:	0,72 kg	
Max. static load:	470 Nm	



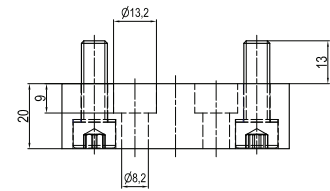
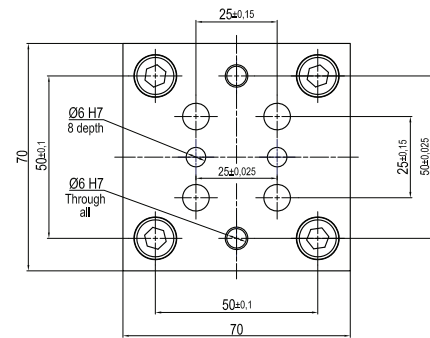
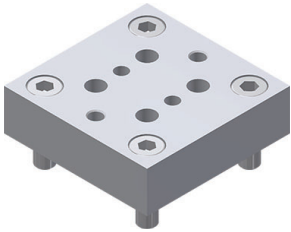
GR8BL70 Base linear plate 70



	Tightening torque	Screw
GR8BL70	25 Nm	M8x25
Material:	Aluminium	
Weight:	1,56 kg	
Max. static load:	690 Nm	



GR8BB4530B Base plate



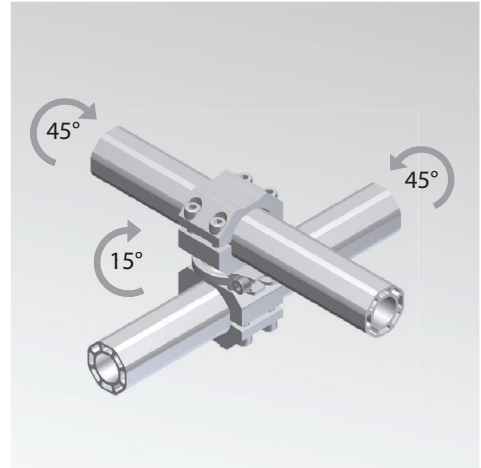
	Tightening torque	Screw
GR8BB4530B	25 Nm	M8x25
Material:	Aluminium	
Weight:	0,3 kg	

3

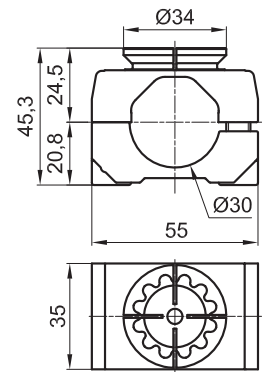
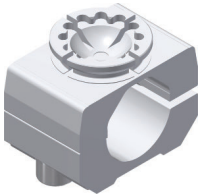
JOINTS

	Cross joints	GR8CJ30C	38
		GR8CJ30D	38
		GR8CJ45C	39
		GR8CJ45D	39
		GR8CJ70C	40
		GR8CJ70D	40
	Double cross joints	GR8CJD30C	41
		GR8CJD30D	41
		GR8CJD45C	42
		GR8CJD45D	42
	Round joints	GR8RJ30C	43
		GR8RJ30D	43
		GR8RJ45C	44
		GR8RJ45D	44
		GR8RJ70C	45
		GR8RJ70D	45
	Base connector	GR8BC30	46
		GR8BC45	46
		GR8BC70	46
	Adaptors octagon	GR8R3025	47
		GR8R4540	47

Cross joints

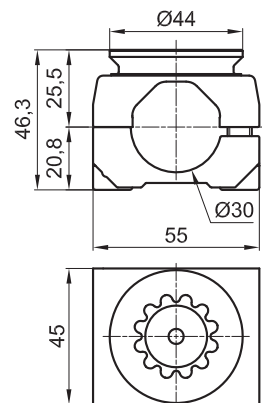
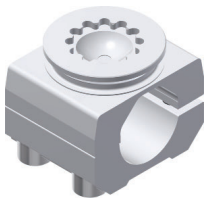


GR8CJ30C Cross joint 30 for ball mounting



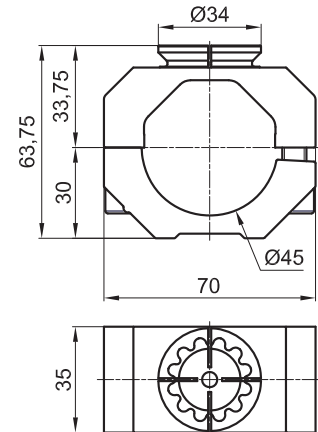
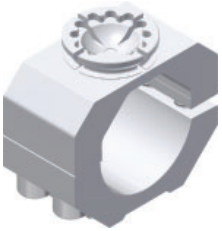
	Tightening torque	Screw
GR8CJ30C	25 Nm	M8x25
Material:	Aluminium	
Weight:	0,145 kg	
Max static load:	80 Nm	

GR8CJ30D Cross joint 30 D



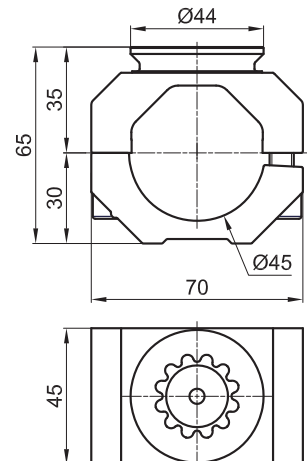
	Tightening torque	Screw
GR8CJ30D	25 Nm	M8x25
Material:	Aluminium	
Weight:	0,21 kg	
Max static load:	200 Nm	

GR8CJ45C Cross joint 45 for ball mounting



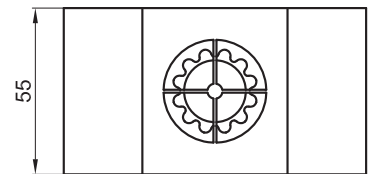
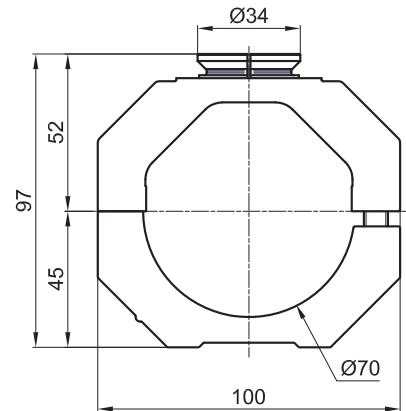
	Tightening torque	Screw
GR8CJ45C	25 Nm	M8x25
Material:	Aluminium	
Weight:	0,230 kg	
Max static load:	80 Nm	

GR8CJ45D Cross joint 45



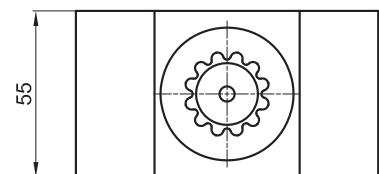
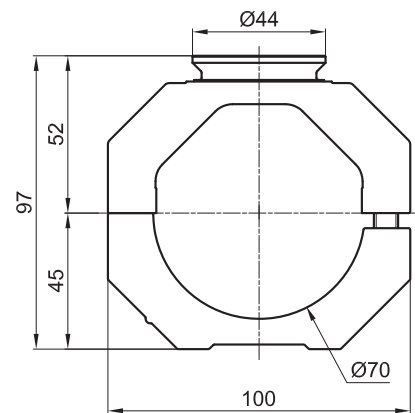
	Tightening torque	Screw
GR8CJ45D	25 Nm	M8x25
Material:	Aluminium	
Weight:	0,3 kg	
Max static load:	200 Nm	

GR8CJ70C Cross joint 70 for ball mounting



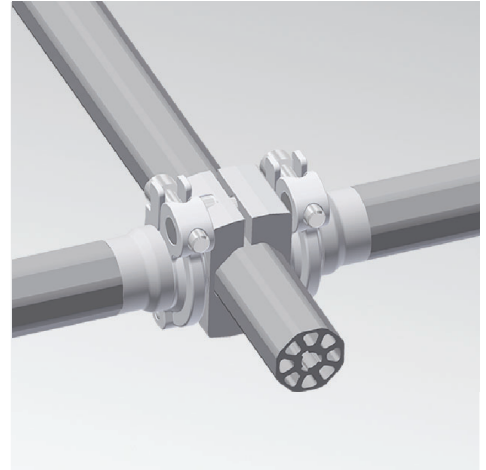
	Tightening torque	Screw
GR8CJ70C	25 Nm	M8x25
Material:	Aluminium	
Weight:	0,59 kg	
Max static load:	80 Nm	

GR8CJ70D Cross joint 70 D

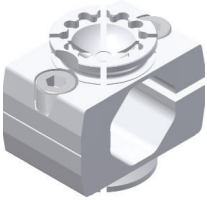


	Tightening torque	Screw
GR8CJ70D	25 Nm	M8x25
Material:	Aluminium	
Weight:	0,62 kg	
Max static load:	200 Nm	

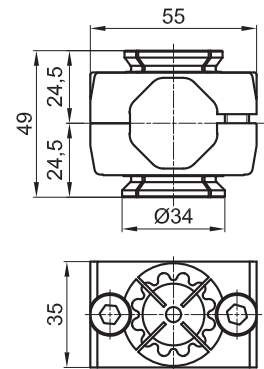
Double cross joint



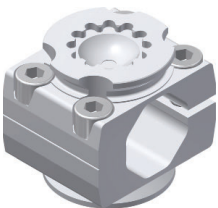
GR8CJD30C Double cross joint 30 for ball mounting



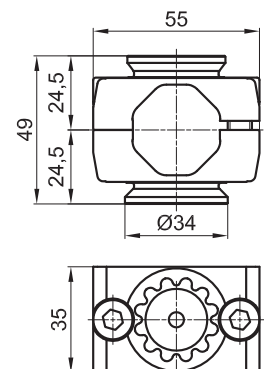
	Tightening torque	Screw
GR8CJD30C	25 Nm	M8x20
Material:	Aluminium	
Weight:	0,140 kg	
Max static load:	80 Nm	



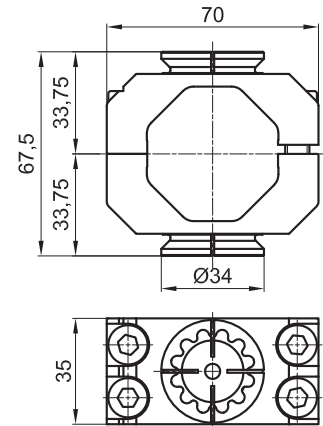
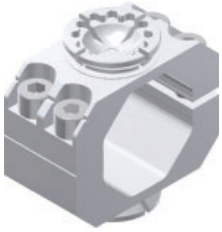
GR8CJD30D Double cross joint 45 for ball mounting



	Tightening torque	Screw
GR8CJD30D	25 Nm	M8x20
Material:	Aluminium	
Weight:	0,22 kg	
Max static load:	200 Nm	



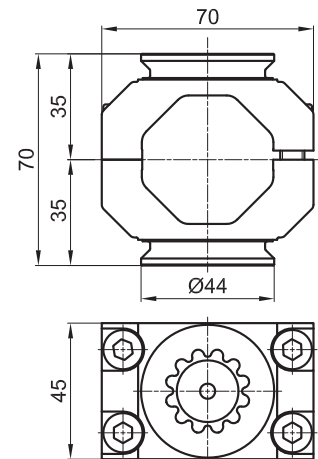
GR8CJD45C Double cross joint 45 for ball mounting



	Tightening torque	Screw
GR8CJD45C	25 Nm	M8x25

Material:	Aluminium
Weight:	0,22 kg
Max static load:	80 Nm

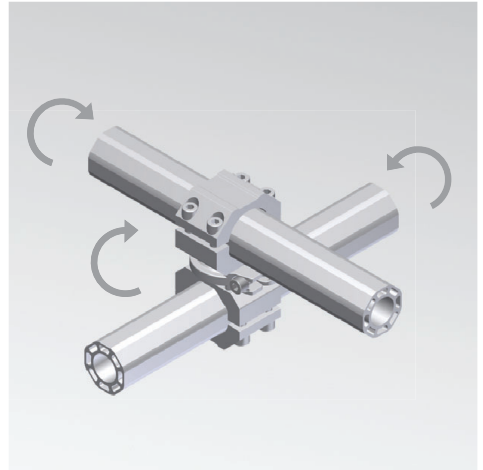
GR8CJD45D Double cross joint 45 D



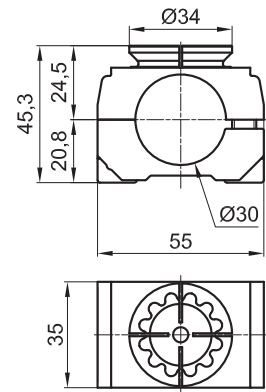
	Tightening torque	Screw
GR8CJD45D	25 Nm	M8x25

Material:	Aluminium
Weight:	0,32 kg
Max static load:	200 Nm

Round joints

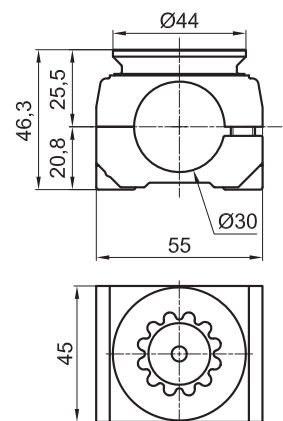
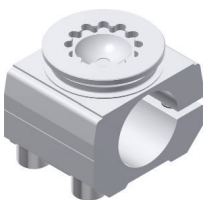


GR8RJ30C Round joint 30 for ball mounting



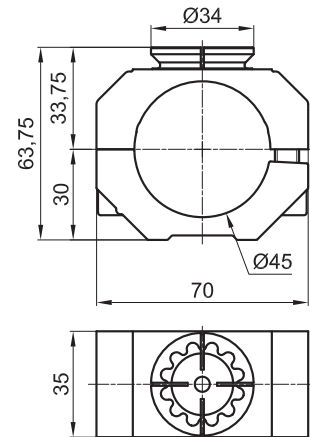
	Tightening torque	Screw
GR8RJ30C	25 Nm	M8x25
Material:	Aluminium EN AW 6005 T6	
Weight:	0,144 kg	
Max static load:	80 Nm	

GR8RJ30D Round joint 30 D



	Tightening torque	Screw
GR8RJ30D	25 Nm	M8x25
Material:	Aluminium	
Weight:	0,21 kg	
Max static load:	200 Nm	

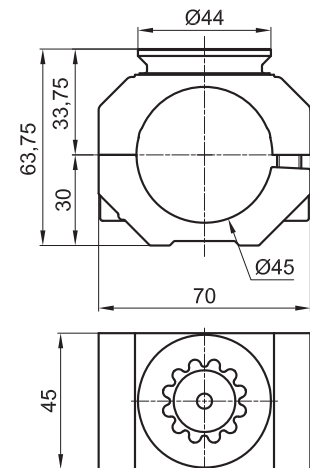
GR8RJ45C Round joint 45 for ball mounting



	Tightening torque	Screw
GR8RJ45C	25 Nm	M8x25

Material:	Aluminium
Weight:	0,22 kg
Max static load:	80 Nm

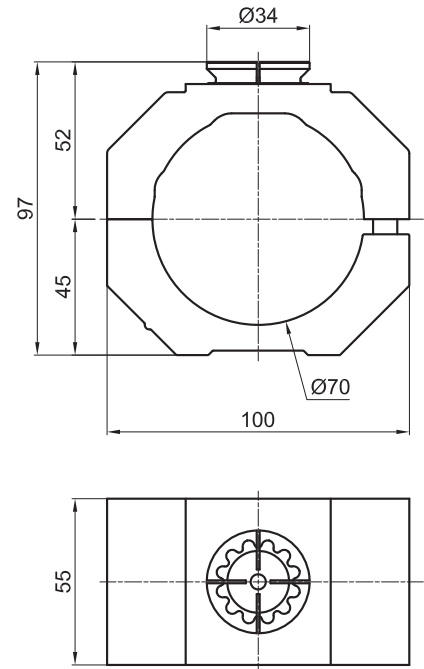
GR8RJ45D Round joint 45 D



	Tightening torque	Screw
GR8RJ45D	25 Nm	M8x25

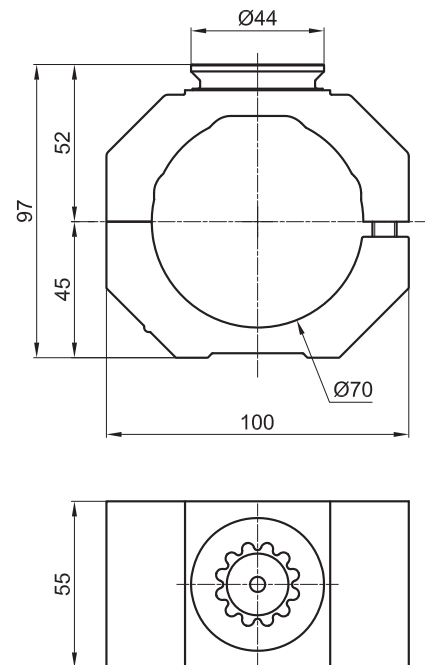
Material:	Aluminium
Weight:	0,3 kg
Max static load:	200 Nm

GR8RJ70C Round joint 70 for ball mounting

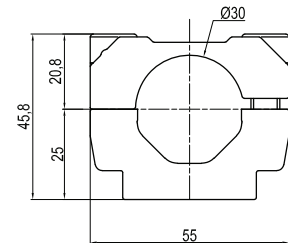
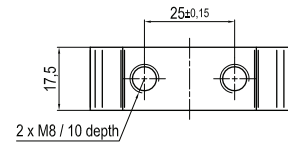
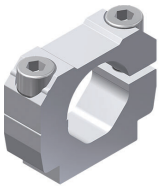


	Tightening torque	Screw
GR8RJ70C	25 Nm	M8x25
Material:	Aluminium	
Weight:	0,59 kg	
Max static load:	80 Nm	

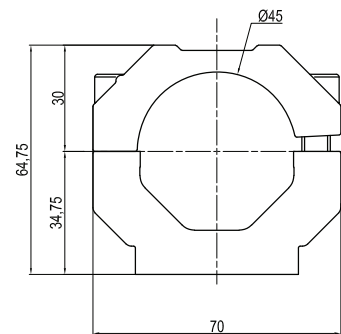
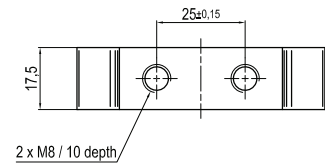
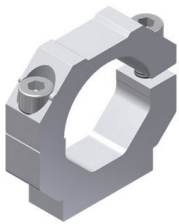
GR8RJ70D Round joint 70 D



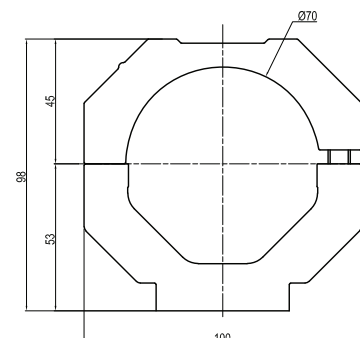
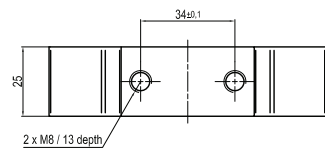
	Tightening torque	Screw
GR8RJ70D	25 Nm	M8x25
Material:	Aluminium	
Weight:	0,6 kg	
Max static load:	200 Nm	

GR8BC30 30 mm base connector


	Tightening torque	Screw
GR8BC30	25 Nm	M8x25
Material:	Aluminium	
Weight:	0,1 kg	

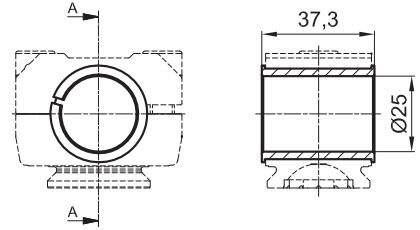
GR8BC45 45 mm base connector


	Tightening torque	Screw
GR8BC45	25 Nm	M8x25
Material:	Aluminium	
Weight:	0,127 kg	

GR8BC70 70 mm base connector


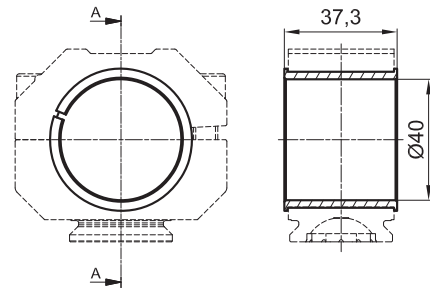
	Tightening torque	Screw
GR8R30D	25 Nm	M8x25
Material:	Aluminium	
Weight:	0,3 kg	

GR8R3025 Adaptor octagon 30 to round 45



Material:	Steel
Weight:	0,063 kg



GR8R4540 Adaptor octagon 45 to round 40



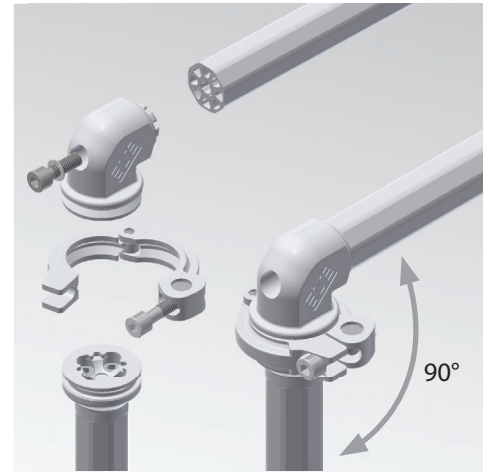
Material:	Steel
Weight:	0,098 kg

4

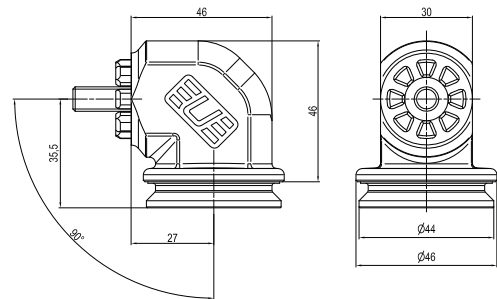
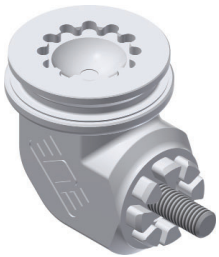
ANGLE ADAPTERS

	Edge mount orientable side	GR8A30D GR8A45D	50 50
	Edge mounting element 90°	GR8SM3030 GR8SM4545	51 51

Edge mounting element with an orientable side

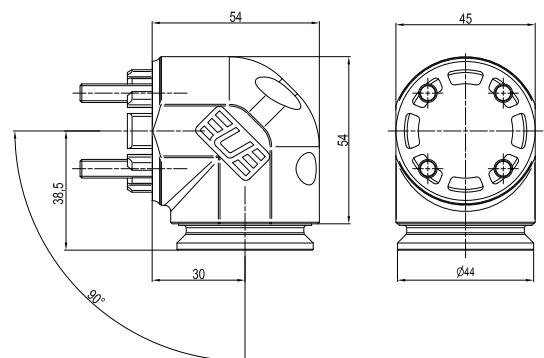
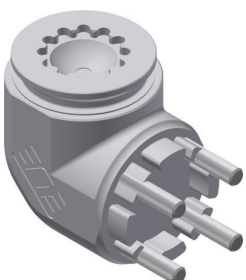


GR8A30D Edge mount orientable side for 30 mm boom D



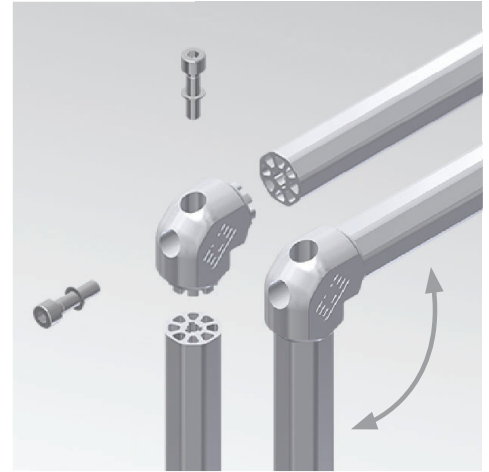
	Tightening torque	Screw
GR8A30D	25 Nm	M8x30
Material:	Aluminium	
Weight:	0,172 kg	
Max static load:	200 Nm	

GR8A45D Edge mount orientable side for 45 mm boom D

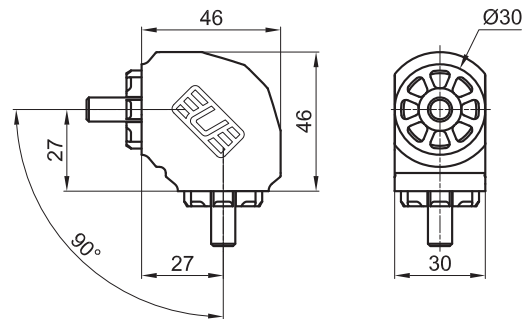


	Tightening torque	Screw
GR8A45D	25 Nm	M6x30
Material:	Aluminium	
Weight:	0,3 kg	
Max static load:	200 Nm	

Edge mounting element 90°

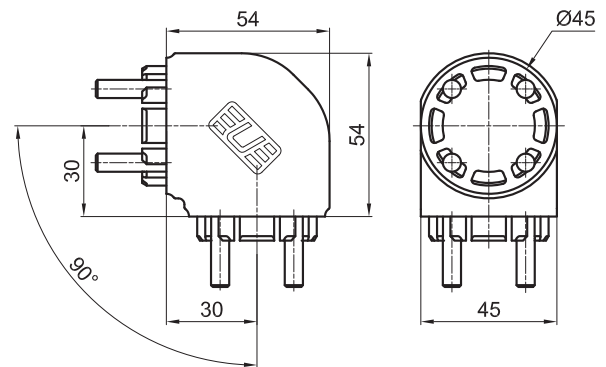
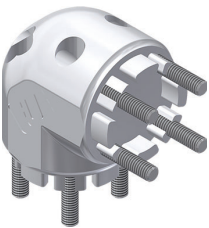


GR8SM3030 Edge mounting 30-30



	Tightening torque	Screw
GR8SM3030	25 Nm	M8x30
Material:	Aluminium	
Weight:	0,12 kg	
Max static load:	200 Nm	

GR8SM4545 Edge mounting 30-45



	Tightening torque	Screw
GR8SM4545	25 Nm	M6x30
Material:	Aluminium	
Weight:	0,28 kg	
Max static load:	200 Nm	

5

BALL ADAPTERS



Proximity mounts

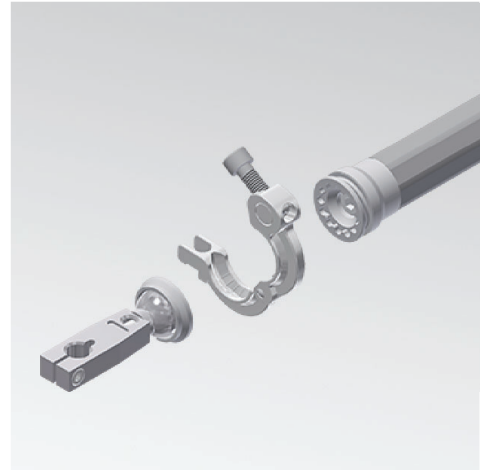
GR8MP12	54
GR8MP18	54
GR8MP30	55
GR8MP19	55



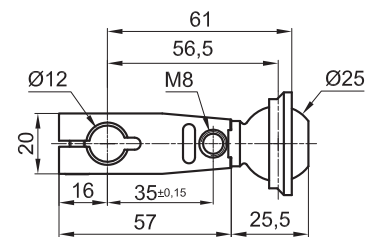
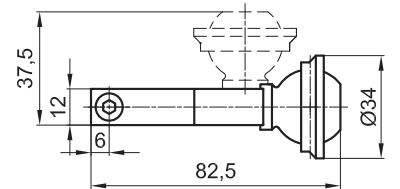
Ball mounts

GR8SCB30	56
GR8SCB45	56

Proximity mounts

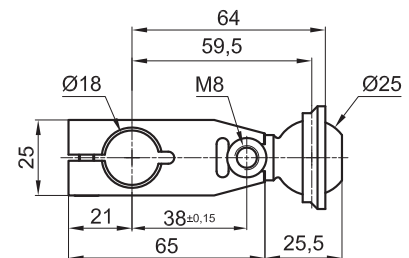
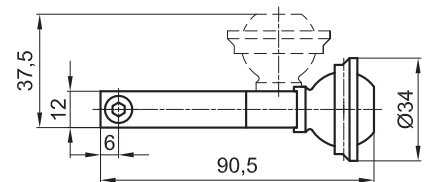


GR8MP12 Proximity mount 12 mm

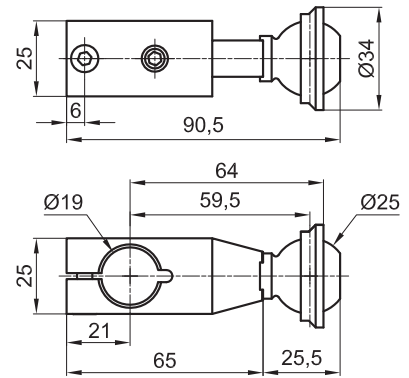
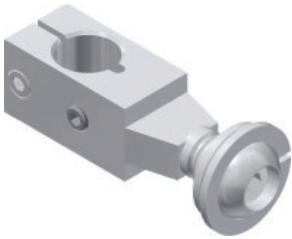


	Tightening torque	Screw
GR8MP12	25 Nm	M5x14 and M8x25
Material:	Aluminium	
Weight:	0,111 kg	

GR8MP18 Proximity mount 18 mm

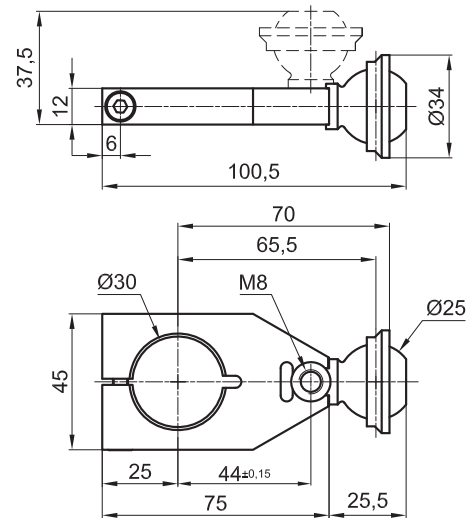


	Tightening torque	Screw
GR8MP18	25 Nm	M5x18 and M8x25
Material:	Aluminium	
Weight:	0,122 kg	

GR8MP19 Vacuum cup adapter


	Tightening torque	Screw
GR8MP19	25 Nm	M5x14 and M8x25

Material: Aluminium
Weight: 0,113 kg

GR8MP30 Proximity mount 30 mm


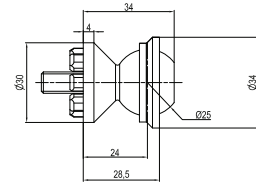
	Tightening torque	Screw
GR8MP30	25 Nm	M5x30 and M8x25

Material: Aluminium
Weight: 0,155 kg

Ball mounts



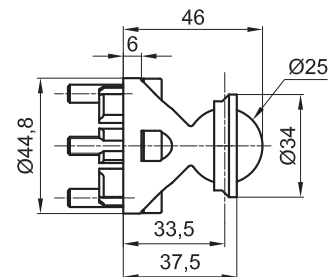
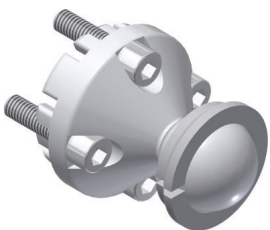
GR8SCB30 Ball mount 30



	Tightening torque	Screw
GR8SCB30	25 Nm	M8x40

Material: Steel
Weight: 0,134 kg

GR8SCB45 Ball mount 45

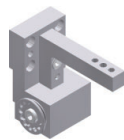


	Tightening torque	Screw
GR8SCB45	25 Nm	M6x25

Material: Steel
Weight: 0,252 kg

6

FRONT MOUNT PLATES



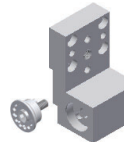
Front mount plates

GR8MF40D	58
GR8MF50D	59
GR8MFGLD	60



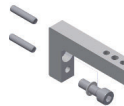
Interlocking adapters

GR8RMF4050AD	61
--------------	----



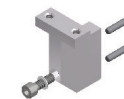
Mount plates

GR8MF40PD	62
GR8MF50PD	62



Mount flange angles

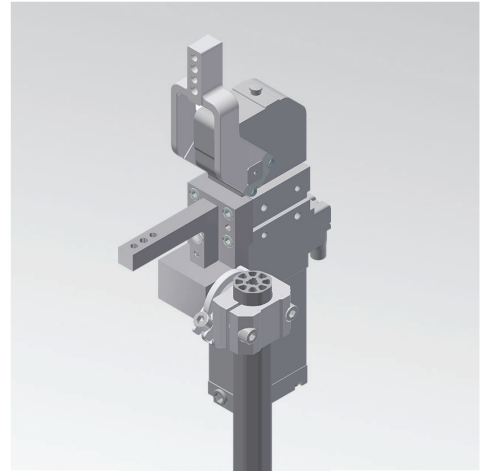
GR8RMF40C	63
GR8RMF50C	63



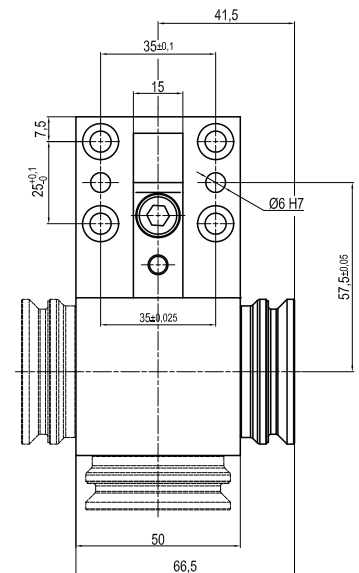
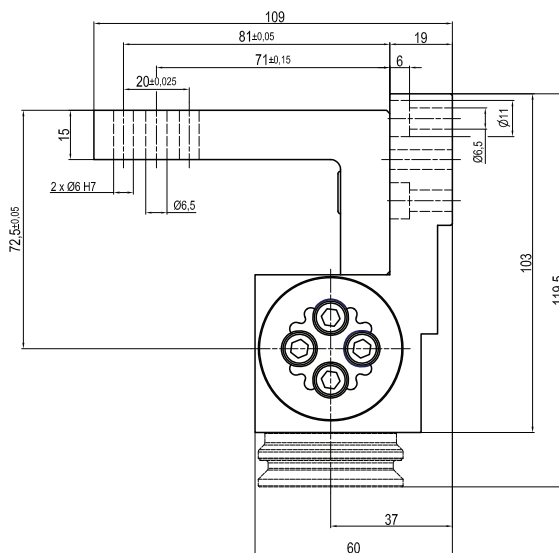
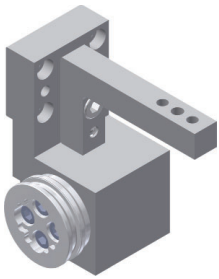
Counter mounts

GR8MFGLC	64
----------	----

Front mount plates



GR8MF40D Front mount plate D for clamp size 40



	Tightening torque	Screw
GR8MF40D	25 Nm	M6x25 and M8x25

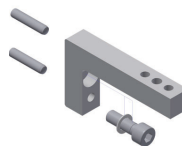
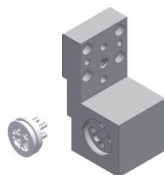
Material: Aluminium
Weight: 0,57 kg
Max static load: 200 Nm

Composed of:

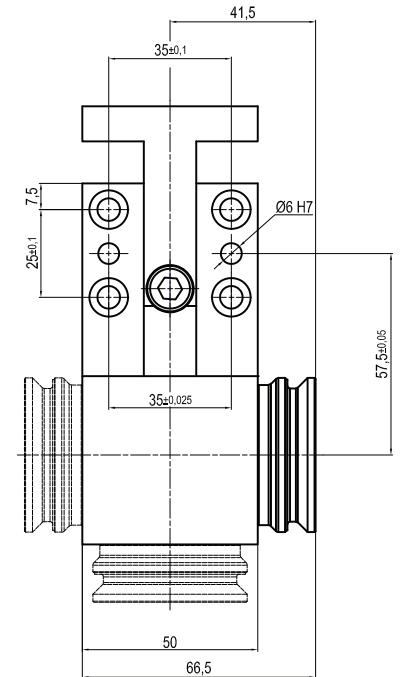
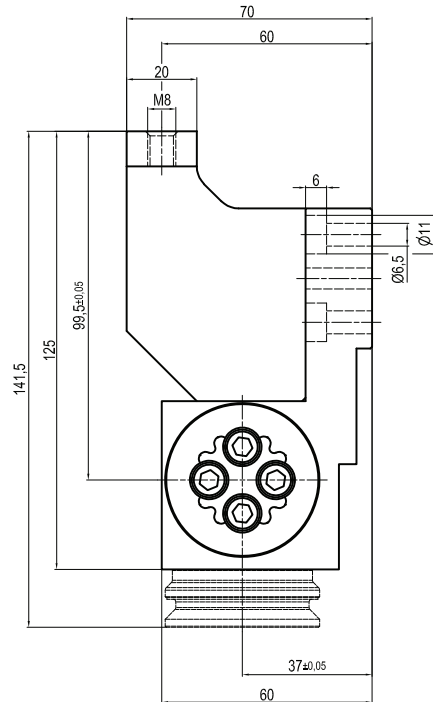
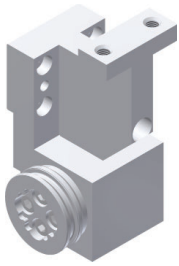
GR8RMF4050AD
Interlocking adapter

GR8MF40PD
Mount plate

GR8RMF40C
Mount flange angle



GR8MFGLD Front mount plate D for gripper unit



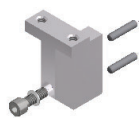
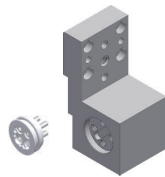
	Tightening torque	Screw
GR8MFGLD	25 Nm	M8x25 and M6x25
Material:	Aluminium	
Weight:	0,64 kg	
Max static load:	200 Nm	

Composed of:

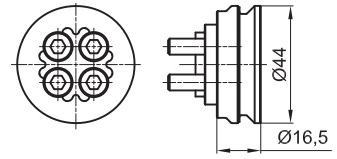
GR8RMF4050AD
Interlocking adapter

GR8MF40PD
Mount plate

GR8MFGLC
Counter mount

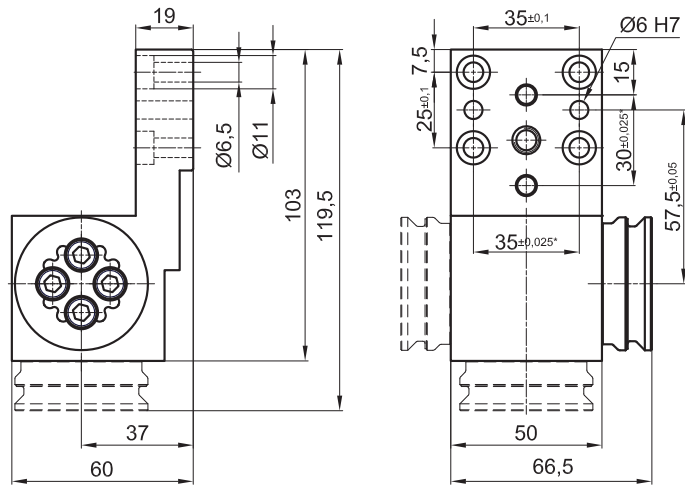
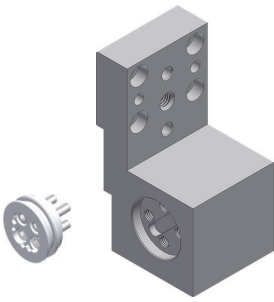


GR8RMF4050AD Interlocking adapter for GR8MF40D, GR8MF50D, GR8MFGLD



	Tightening torque	Screw
GR8RMF4050AD	25 Nm	M6x25
Material:	Aluminium	
Weight:	0,09 kg	
Max static load:	200 Nm	

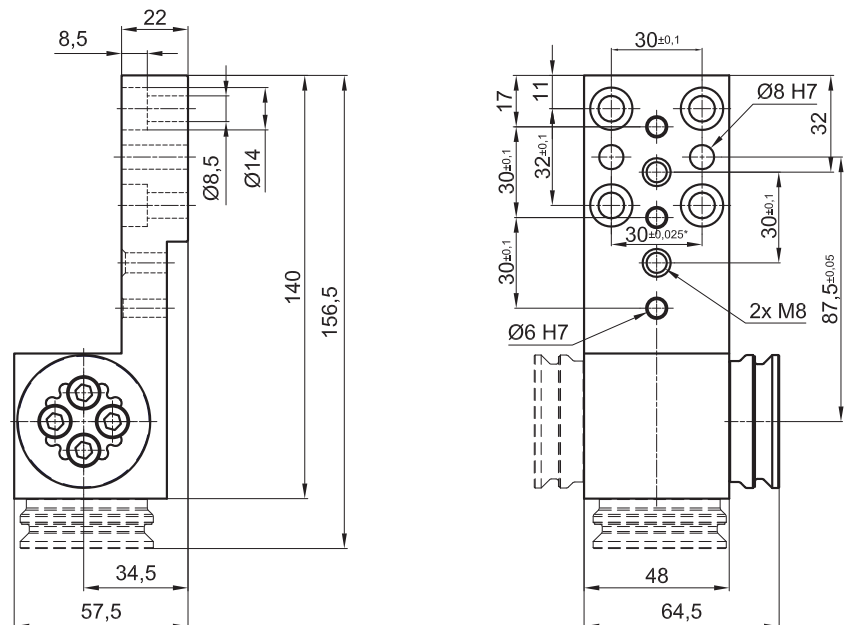
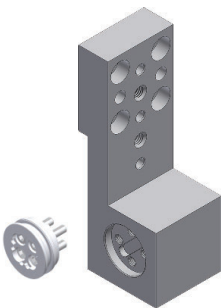
GR8MF40PD Mount plate for GR8MF40D and GR8MFGLD



	Tightening torque	Screw
GR8MF40PD	25 Nm	M6x25

Material:	Aluminium
Weight:	0,501 kg
Max static load:	200 Nm

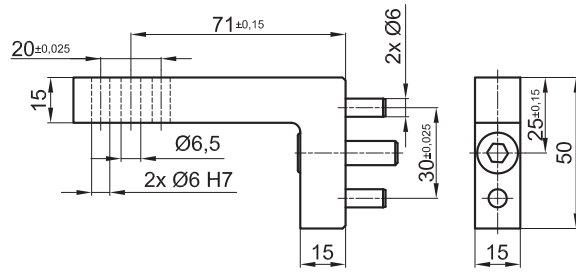
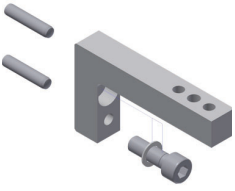
GR8MF50PD Mount plate for GR8MF50D



	Tightening torque	Screw
GR8MF50PD	25 Nm	M6x25

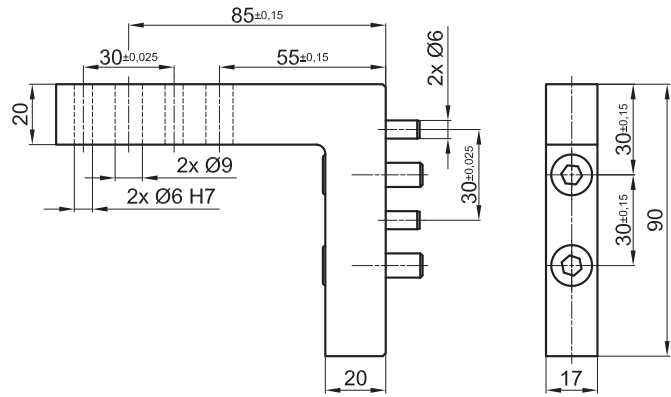
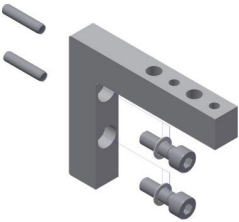
Material:	Aluminium
Weight:	0,55 kg
Max static load:	200 Nm

GR8RMF40C Mount flange for GR8MF40D



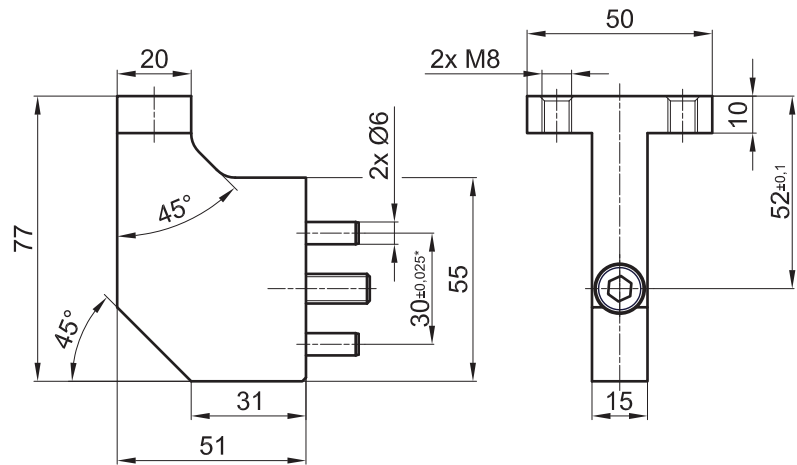
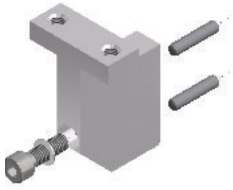
	Tightening torque	Screw
GR8RMF40C	25 Nm	M8x25
Material:	Aluminium	
Weight:	0,093 kg	

GR8RMF50C Mount flange angle for GR8MF50D



	Tightening torque	Screw
GR8RMF50C	25 Nm	M8x25
Material:	Aluminium	
Weight:	0,187 kg	


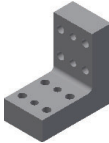
GR8MFGLC Counter mount for GR8MFGLD



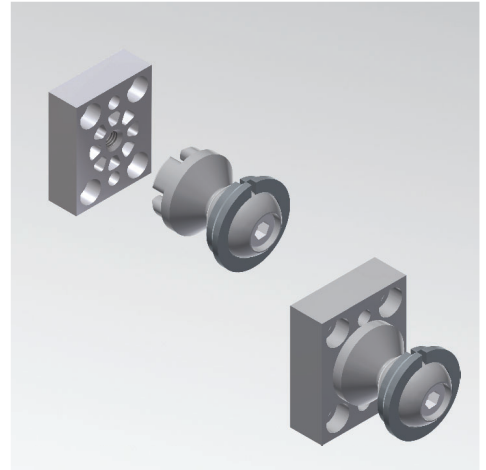
	Tightening torque	Screw
GR8MFGLC	25 Nm	M8x25
Material:	Aluminium	
Weight:	0,149 kg	

7

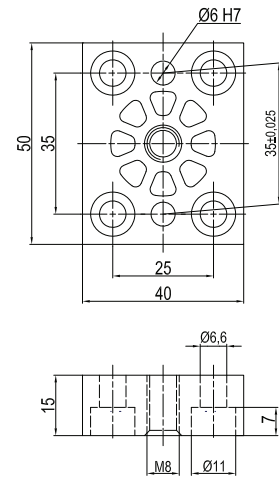
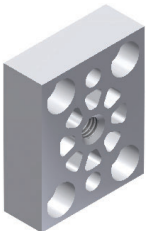
REAR MOUNT PLATES

	Rear mount plates	GR8SR40	66
		GR8SR40D	66
		GR8SR50	67
		GR8SR50D	67
		GR8SR50M8	68
		GR8SR50M8D	68
		GR8SB4530	69
		GR8SB4530M8	69
	Flange mounts	GR8SSLC	70
		GR8SSLCM8	70

Rear mount plates

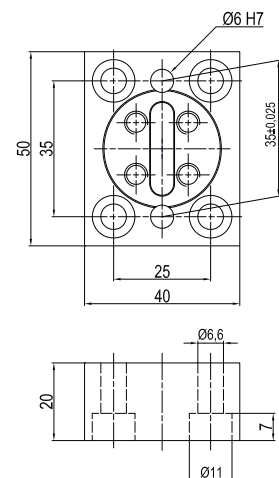
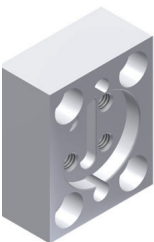


GR8SR40 Rear mount plate for clamps size 40



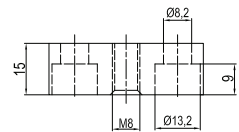
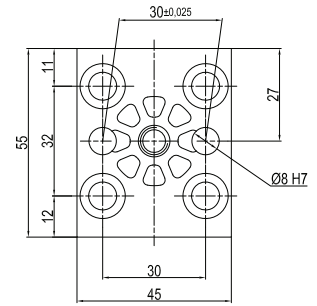
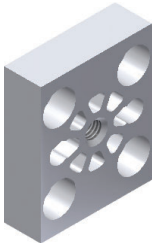
	Tightening torque	Screw
GR8SR40	25 Nm	M8
Material:	Aluminium	
Weight:	0,065 kg	

GR8SR40D Rear mount plate D for clamps size 40



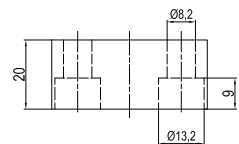
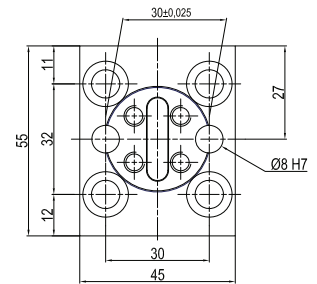
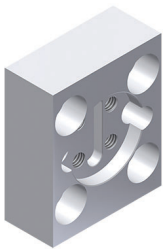
	Tightening torque	Screw
GR8SR40D	25 Nm	M8
Material:	Aluminium	
Weight:	0,079 kg	

GR8SR50 Rear mount plate for pin units size 50



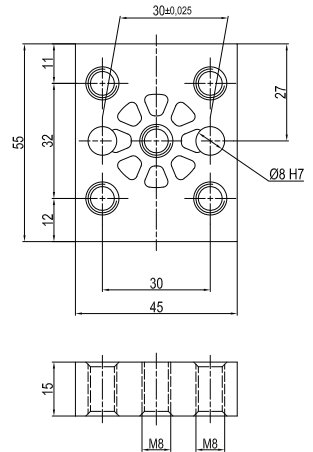
	Tightening torque	Screw
GR8SR50	25 Nm	M8
Material:	Aluminium	
Weight:	0,075 kg	

GR8SR50D Rear mount plate D for pin units size 50



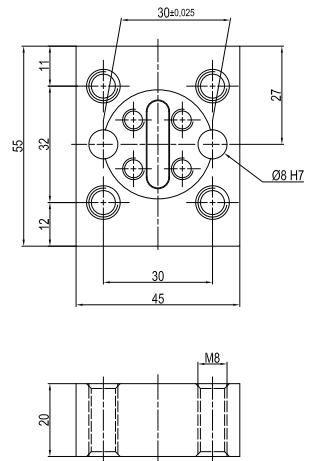
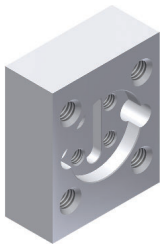
	Tightening torque	Screw
GR8SR50D	25 Nm	M8
Material:	Aluminium	
Weight:	0,096 kg	

GR8SR50M8 Rear mount plate with M8 threads for clamp size 50/63



	Tightening torque	Screw
GR8SR50M8	25 Nm	M8
Material:	Aluminium	
Weight:	0,085 kg	

GR8SR50M8D Rear mount plate D with M8 threads for clamp size 50/63

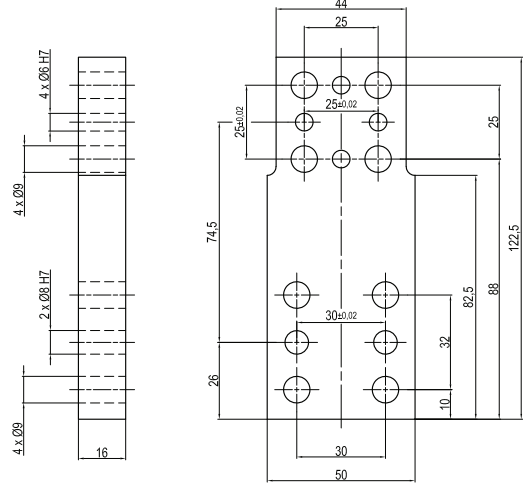


	Tightening torque	Screw
GR8SR50M8D	25 Nm	M8
Material:	Aluminium	
Weight:	0,107 kg	

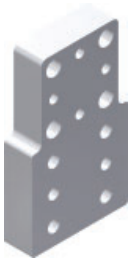
GR8SB4530 Rear mount plate



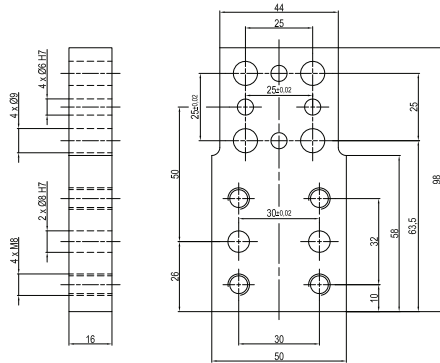
	Tightening torque	Screw
GR8SB4530	25 Nm	M8
Material:	Aluminium	
Weight:	0,168 kg	



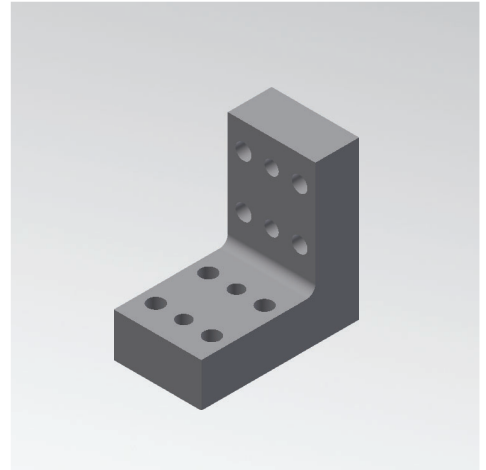
GR8SB4530M8 Rear mount plate with M8 threads



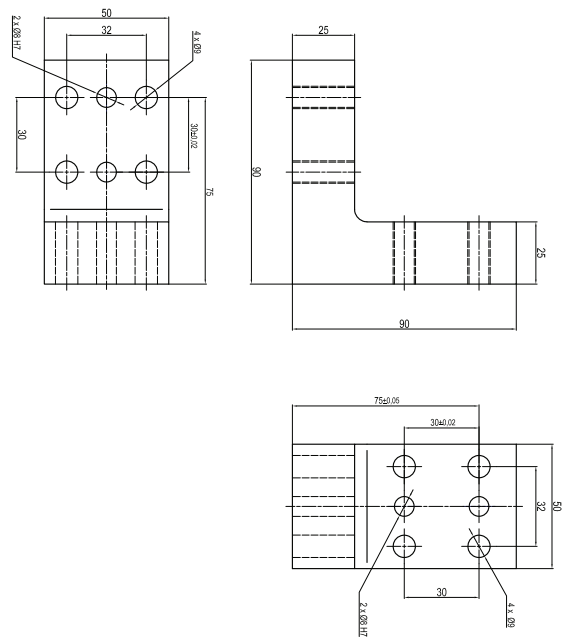
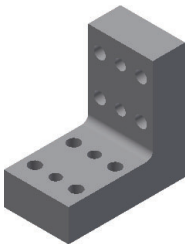
	Tightening torque	Screw
GR8SB4530M8	25 Nm	M8
Material:	Aluminium	
Weight:	0,172 kg	



Flange mounts for pin units

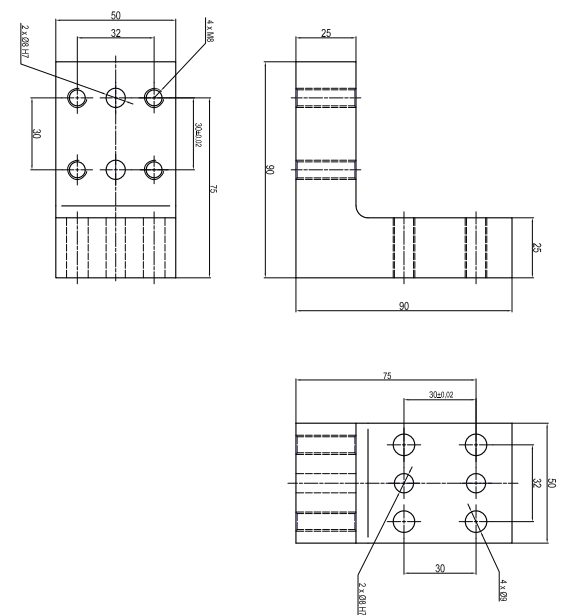
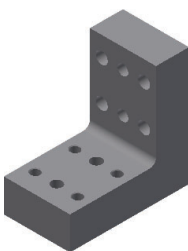


GR8SSLC Flange mount for pin units



	Tightening torque	Screw
GR8SSLC	25 Nm	M8
Material:	Aluminium	
Weight:	0,478 kg	

GR8SSLCM8 Flange mount for pin units with M8 threads



	Tightening torque	Screw
GR8SSLCM8	25 Nm	M8
Material:	Aluminium	
Weight:	0,485 kg	

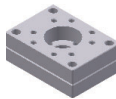
8

GRIPPER ADAPTERS



Orbital mounts

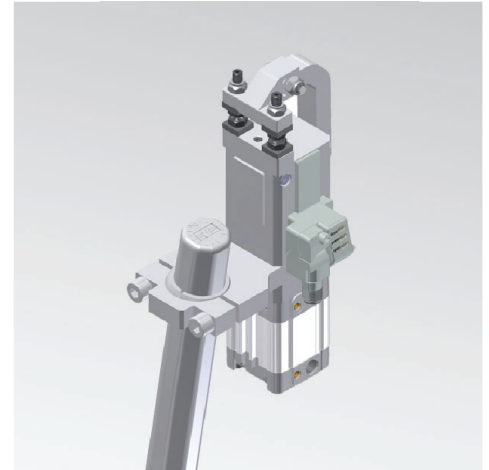
LGP32MO25	72
LGP32MO30	73
LGP32MP	74
LGP40MP	75
LGP40MO25	76
LGP40MO30	77
LGP40MO40	78
LGP40MO45	79



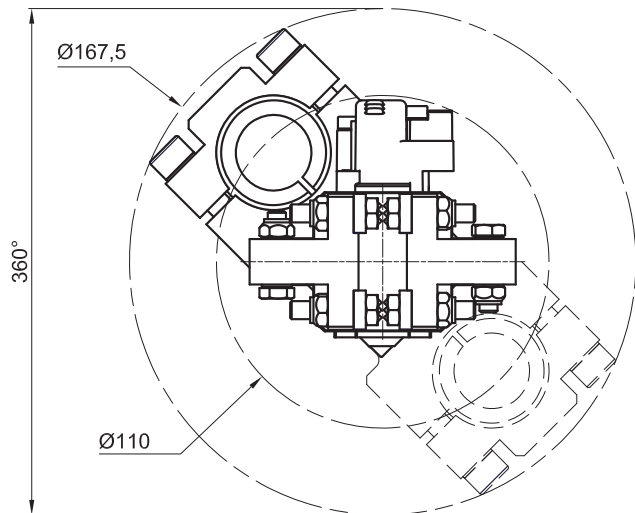
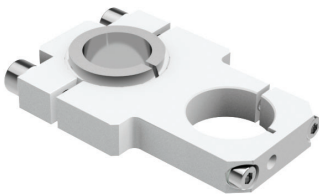
Rear flange mounts

LGP32PT070	80
LGP40PT080	80
LGP40PT110	81

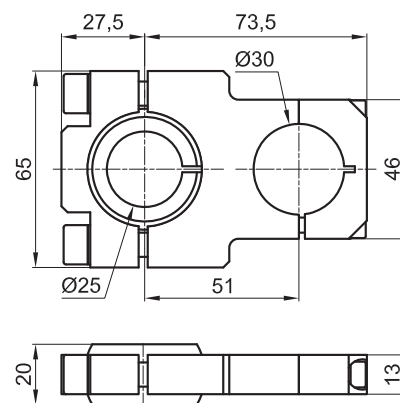
Orbital mounts for grippers



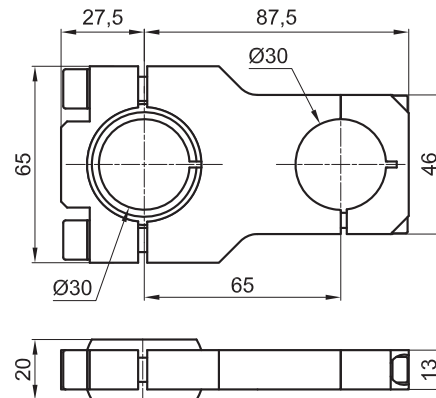
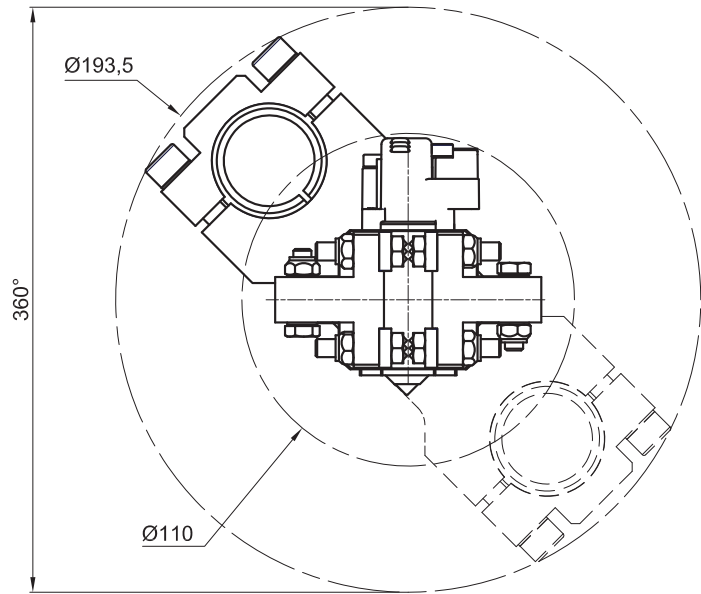
LGP32MO25 Orbital mount 360°, ball Ø25 mm for grippers Ø32



Material:	Aluminium
Weight:	0,172 kg (Bore Ø 32 mm)



LGP32MO30 Orbital mount 360°, ball Ø30 mm for grippers Ø32

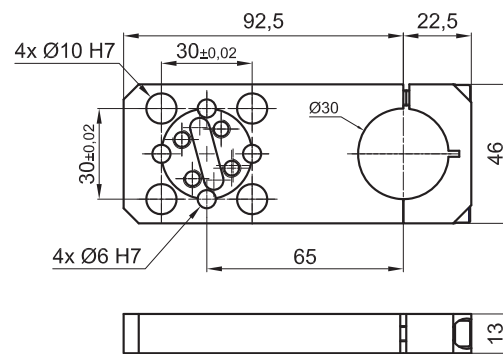
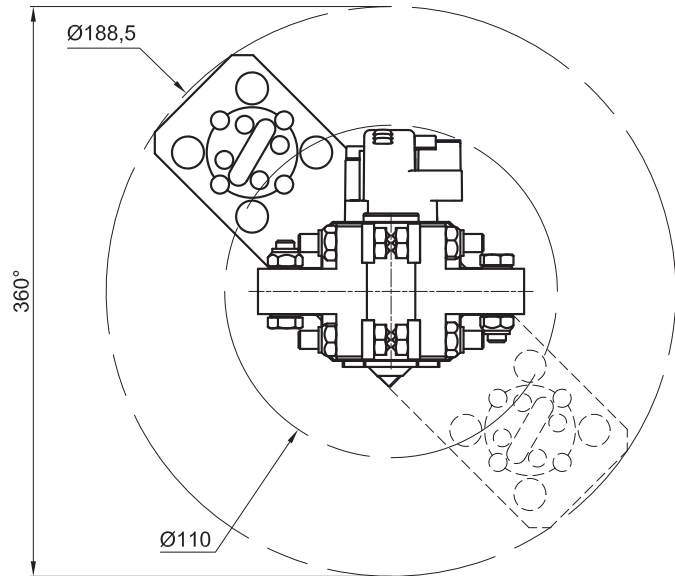


Material:	Aluminium
Weight:	0,2 kg (Bore Ø 32 mm)

LGP32MP Middle flange mount for grippers Ø32



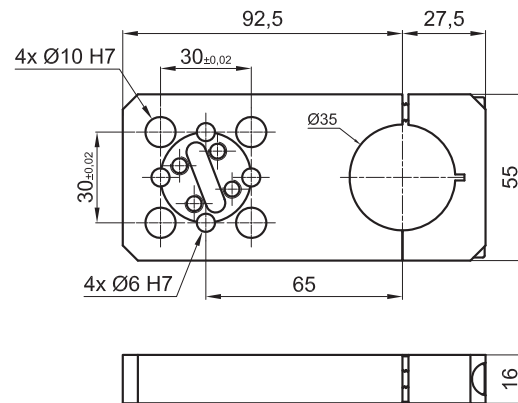
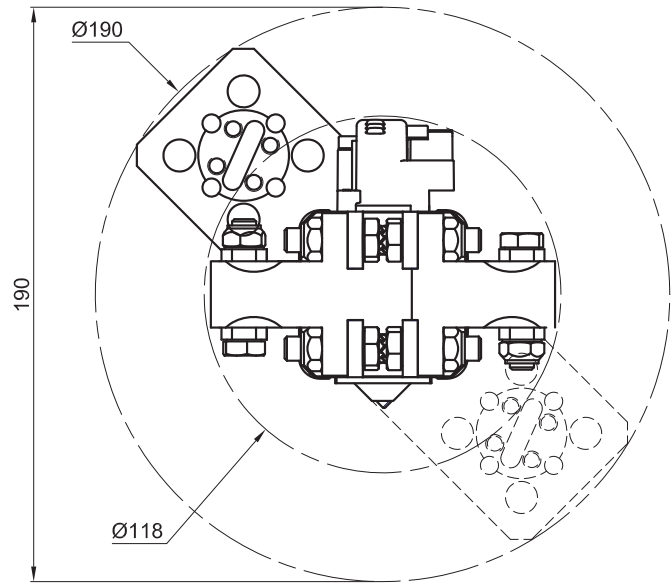
Material:	Aluminium
Weight:	0,140 kg (Bore Ø 32 mm)



LGP40MP Middle flange mount for grippers Ø40



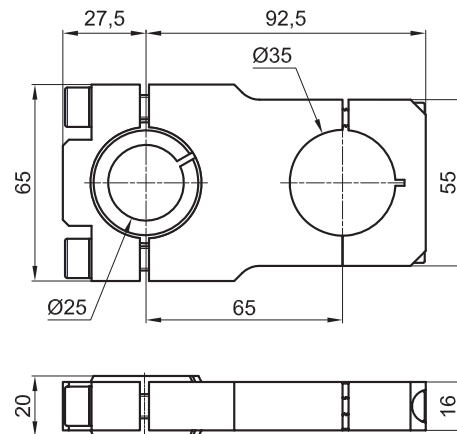
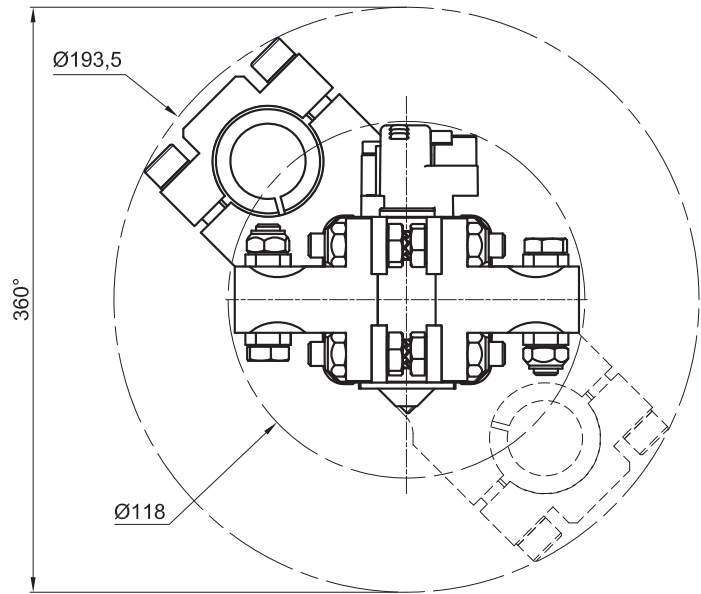
Material:	Aluminium
Weight:	0,2 kg (Bore Ø 40 mm)



LGP40MO25 Orbital mount 360°, ball Ø25 mm for grippers Ø40



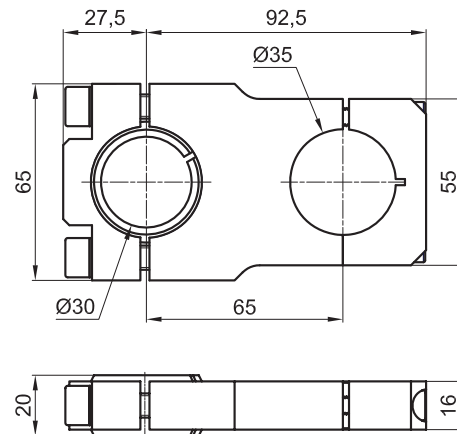
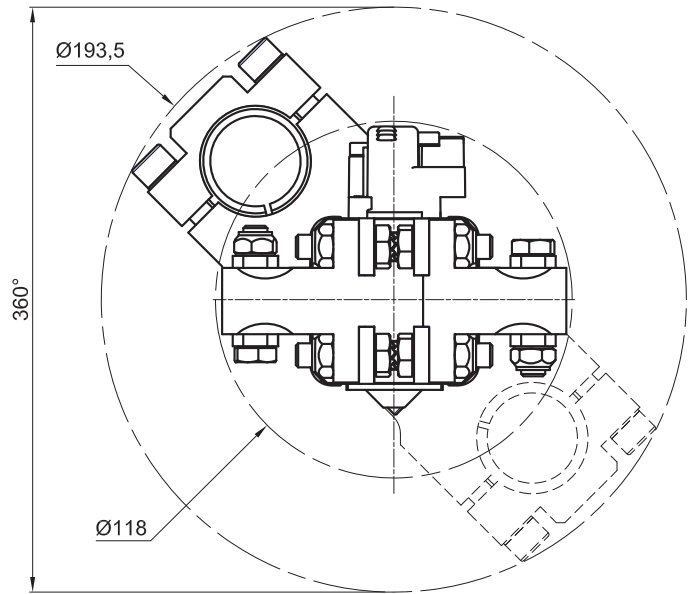
Material:	Aluminium
Weight:	0,3 kg (Bore Ø 40 mm)



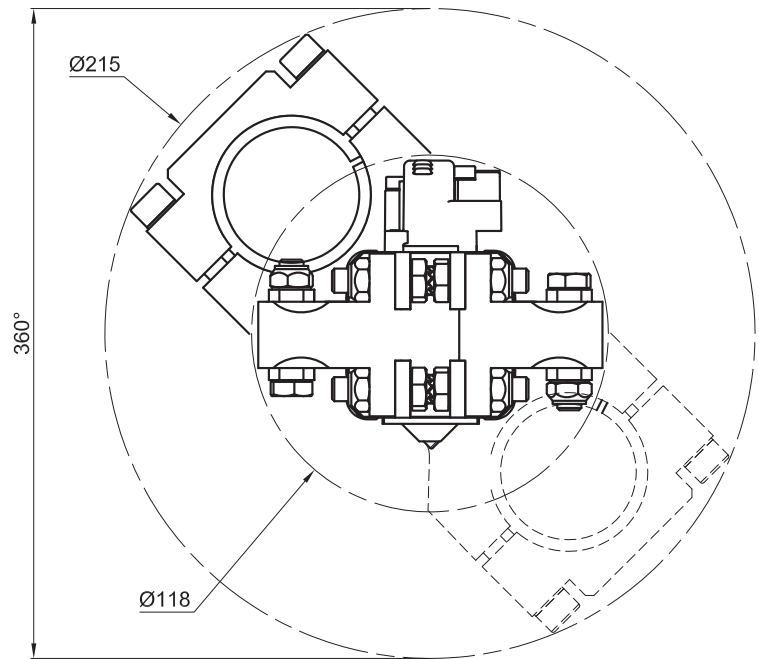
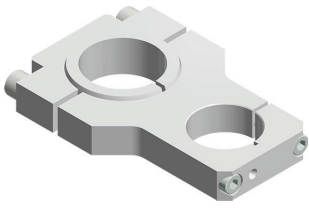
LGP40MO30 Orbital mount 360°, ball Ø30 mm for UGPS40 for grippers Ø40



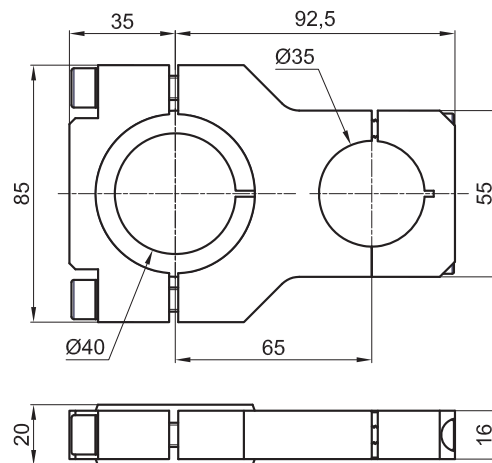
Material:	Aluminium
Weight:	0,3 kg (Bore Ø 40 mm)



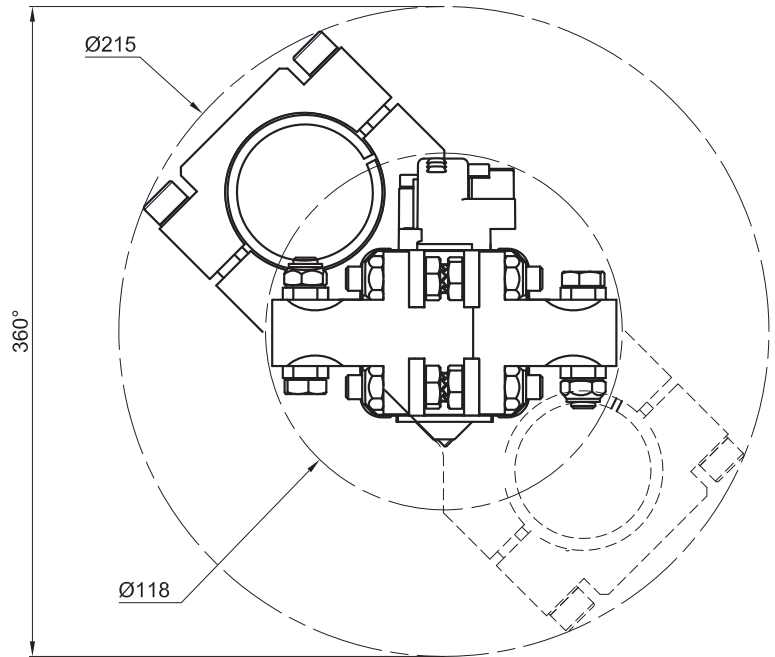
LGP40MO40 Orbital mount 360°, ball Ø40 mm for grippers Ø40



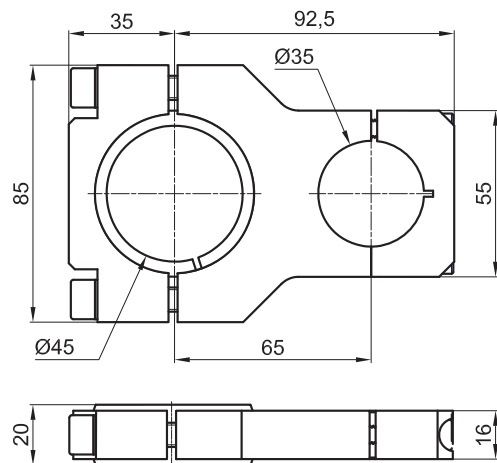
Material: Aluminium
Weight: 0,30 kg (bore Ø 40 mm)



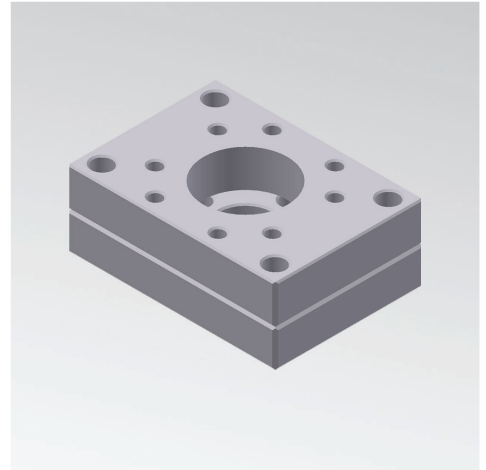
LGP40MO45 Orbital mount 360°, ball Ø45 mm for grippers Ø40



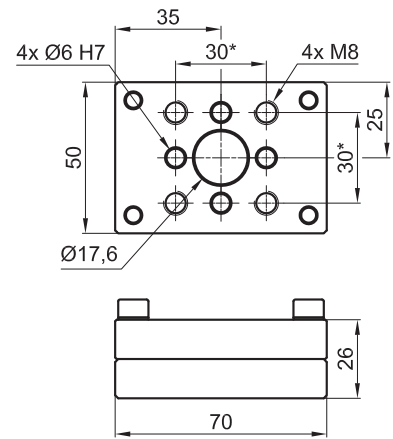
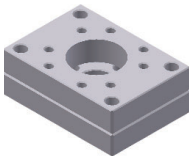
Material: Aluminium
Weight: 0,3 kg (bore Ø 40 mm)



Rear flange mounts

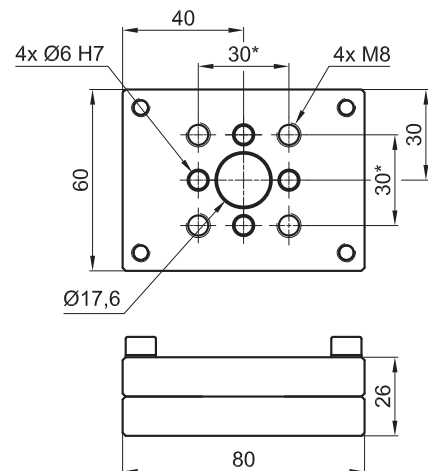
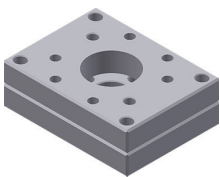


LGP32PT070 Rear flange mount 70 mm for grippers Ø32



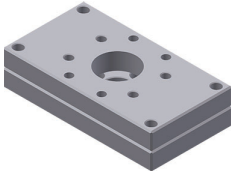
Material:	Aluminium
Weight:	0,24 kg

LGP40PT080 Rear flange mount 80 mm for grippers Ø40

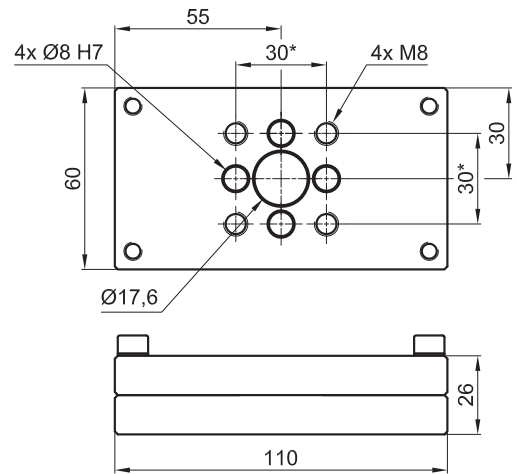


Material:	Aluminium
Weight:	0,335 kg

LGP40PT110 Rear flange mount 110 mm for grippers Ø40



Material:	Aluminium
Weight:	0,459 kg



9

RISERS



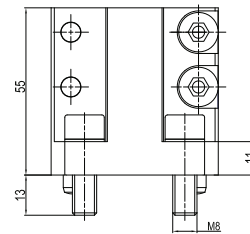
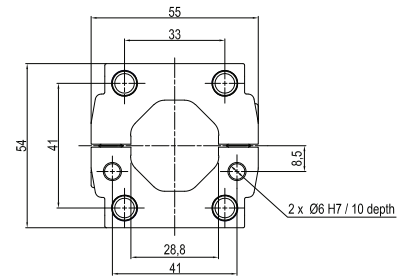
Risers

GR8SK30	84
GR8SK45	84
GR8SK70	85

Risers

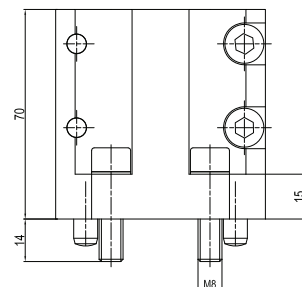
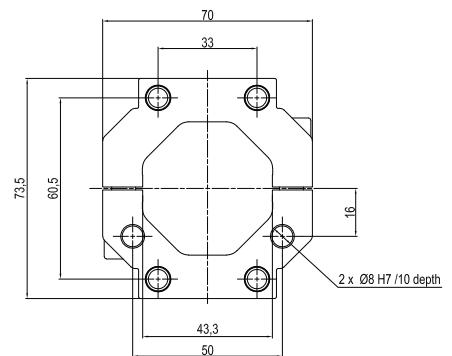


GR8SK30 Riser size 30



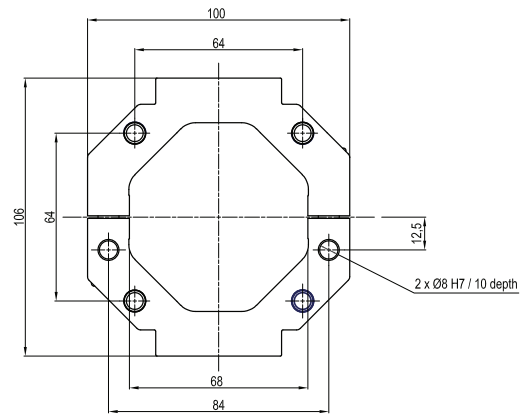
Material:	Aluminium
Weight:	0,3 kg
Max static load:	285 Nm

GR8SK45 Riser size 45

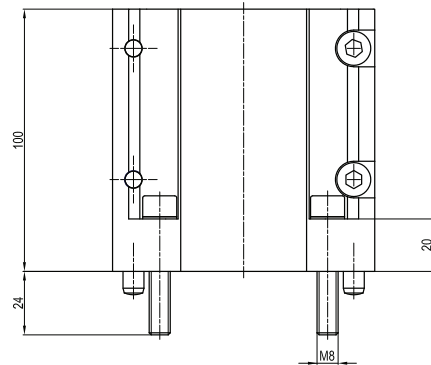


Material:	Aluminium
Weight:	0,5 kg
Max static load:	490 Nm

GR8SK70 Riser size 70



Material:	Aluminium
Weight:	1,3 kg
Max static load:	750 Nm



UNIVER S.p.A.

Headquarters

20128 **Milano**
Via Eraclito, 31
Tel. +39 02 25298.1
Fax +39 02 2575254
info@univer-group.com
www.univer-group.com

UNIVER SERVICE S.r.l.

Headquarters

20128 **Milano**
Via Empedocle, 20
Tel. +39 02 25298.1
Fax +39 02 25298370
universervice@universervice.it
www.universervice.it

Branch Offices

LOMBARDIA

20099 - Sesto San Giovanni **Milano**
Via G. di Vittorio, 307/20
Tel. +39 02 26261304
Fax +39 02 24300375
universervice@universervice.it

PIEMONTE/LIGURIA/VALLE D'AOSTA

10071 Borgaro Torinese **Torino**
Via Veneto, 18
Tel. +39 011 4501871
Fax +39 011 4502898
torino@universervice.it

VENETO/FRIULI VENEZIA-GIULIA TRENTINO-ALTO ADIGE

30030 Vigonovo **Venezia**
Via Prima strada 16/A - Loc. Galta
Tel. +39 049 9834140
Fax +39 049 9833972
vigonovo@universervice.it

EMILIA ROMAGNA

40069 Zola Predosa **Bologna**
Via Balzani, 5
Tel. +39 051 753907
Fax +39 051 6184751
bologna@universervice.it

CENTRO/SUD

40069 Zola Predosa **Bologna**
Via Balzani, 5
Tel. +39 051 753907
Fax +39 051 6184751
bologna@universervice.it

UNIVER DO BRASIL Ltda

BRAZIL - 13474-764
Americana **São Paulo**
Rua do Polyester, 29
Distrito Industrial Abdo Najjar
Tel. +55 19 3113-9400
Fax +55 19 3113-9405
atendimento@univer.com.br

UNIVER CHINA

CHINA - Shanghai
399 Fu Te North Road,
Free Zone, Pudong
info@univer-china.com

UNIVER FRANCE S.a.s.

FRANCE - 68000
Colmar
1, rue Denis Papin
Tel. +33 3 89210900
Fax +33 3 89216850
info@univer-france.fr

UNIVER G.m.b.H.

GERMANY - D-65428
Rüsselsheim
Eisenstraße 51
Tel. +49 6142 408320
Fax +49 6142 4083290
info@univer-gmbh.de

UNIVER NORTH AMERICA

USA - 48312
Sterling Heights - **Michigan**
6620 Cobb Drive
Tel. +1 248 299 0525
Fax +1 248 299 0528
info@univer-group.us

UNIVER POLSKA Sp. z o.o.

POLAND - 25-663
Kielce
ul. K. Olszewskiego 21E
Tel. +48 41 278 72 53
Fax +48 41 278 72 54
univer@univer-group.pl

UNIVER S.L.

SPAIN - 08210
Barbera Del Valles **Barcelona**
Ronda Industria, 26 - 28
Tel. +34 93 7297360
Fax +34 93 7297380
univer@univerweb.com



www.univer-group.com

Distributors worldwide:

Get in touch with UNIVER Sales Department
or visit our website www.univer-group.com