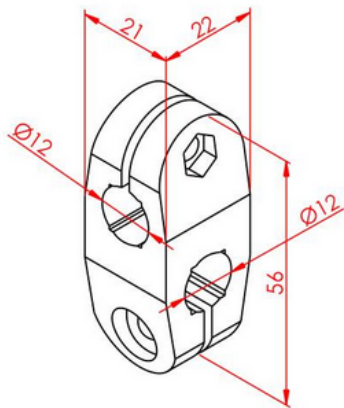


CONSOLE CROSS HOLDER Ø12 MM



General Specifications

Plastic holders that ensure connection of shaft-barrier routers on conveyor systems.

Stock Code	Stock Name	Material	Weight (gr)
3.006.214.151.012	Console Cross Holder Ø12 mm	Plastic	27