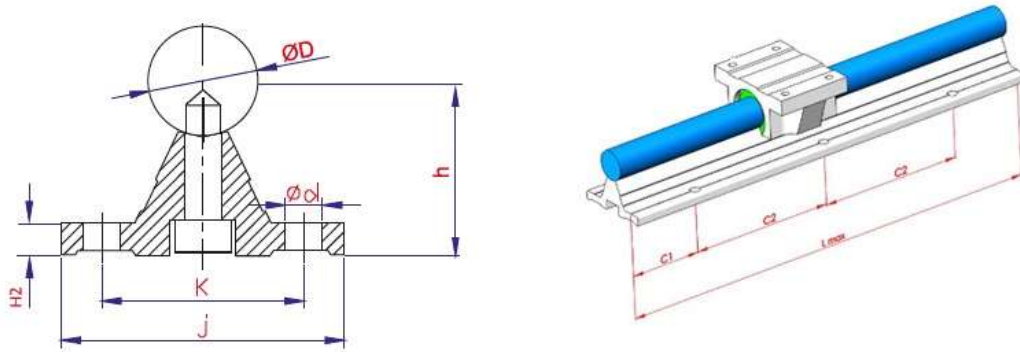


General Specifications

It is possible to use when the bearing precision is lower and the application is more practical.

Depending on the loading capacity, series with different diameters can be preferred.



Stock Code	Stock Name	L max	ØD	J	K	h	H2	C1	C2	Ød	Weight (Kg/Mt)
4.1.10.016040.0.12.0	Bearings with Shaft Sub-Support	6000 mm	12	40	29	22	5	50	75	5	1.571
4.1.10.018045.0.16.0	Bearings with Shaft Sub-Support	6000 mm	16	45	33	26	5	50	100	5.5	2.422
4.1.10.022052.0.20.0	Bearings with Shaft Sub-Support	6000 mm	20	52	37	32	5.8	50	100	6.6	3.701
4.1.10.024057.0.25.0	Bearings with Shaft Sub-Support	6000 mm	25	57	42	36	6	60	120	6.6	5.296
4.1.10.028069.0.30.0	Bearings with Shaft Sub-Support	6000 mm	30	69	51	42	7	75	150	9	7.561
4.1.10.032073.0.40.0	Bearings with Shaft Sub-Support	6000 mm	40	73	55	50	8	100	200	9	11.917

Application examples

