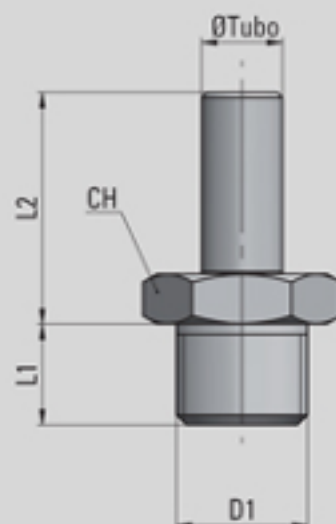


Stem adaptor



articolo	descrizione	øe Tubo	D1	L1	L2	CH	gr	download
03140011	MO24 04 18	4	G1/8	8	19	14	8	Download 3D
03140021	MO24 05 18	5	G1/8	8	22	14	12	Download 3D
03140031	MO24 06 18	6	G1/8	8	22	14	10	Download 3D
03140032	MO24 06 14	6	G1/4	10	22	17	16	Download 3D
03140041	MO24 08 18	8	G1/8	8	23	14	12	Download 3D
03140042	MO24 08 14	8	G1/4	10	23	17	17	Download 3D
03140052	MO24 10 14	10	G1/4	10	27	17	20	Download 3D
03140053	MO24 10 38	10	G3/8	10	27	22	32	Download 3D
03140063	MO24 12 38	12	G3/8	10	27	22	32	Download 3D
03140064	MO24 12 12	12	G1/2	12	27	27	56	Download 3D