

Solenoid Valve - 2/2 - High Pressure - Normally Closed

Benefits & Features

- Water, air, high pressure fluids etc
- Media temperature: -10°C to +140°C
- Two way normally closed
- Ideal for high pressure with high flow applications
- Brass body
- IP65 safe area



Specification

Configuration	Pilot operated piston design
Port Sizes	3/8" to 3/4" BSP
Orifice	see table below
Kv	see table below
Body	Brass
Media	Air, water, liquids etc. Subject to material compatibility
Pressure ranges	0.3 - 50 Bar (AC or DC)
Seals	see order codes table

Technical Data

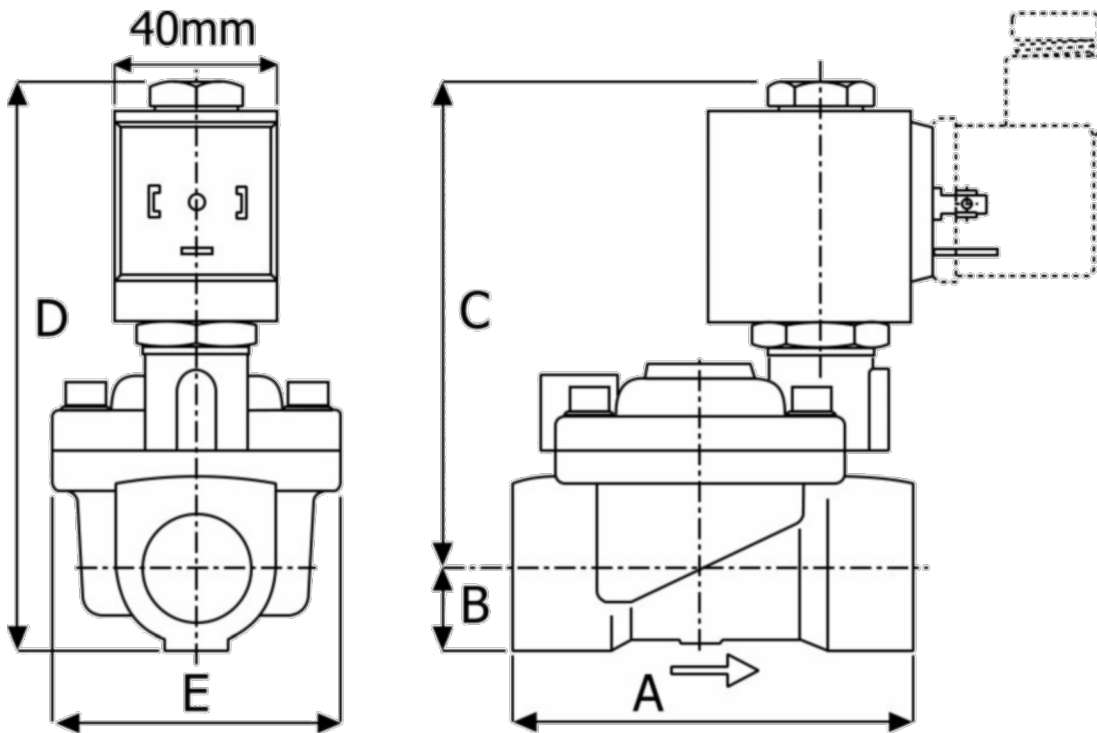
A	L08	B	C	13	D	E	Port Size BSP	Orifice mm	Min. / Max. Differential Pressures. BAR				KV Flow Factor L/min.	
									Min	Max. Pressures				
										Coil Series				
										C3 Coil		C4 Coil		
								AC	DC	AC	DC			
							3/8"	12.7	0.3	50	-	50	50	35
							1/2"	12.7	0.3	50	-	50	50	40
							3/4"	19	0.3	50	-	50	50	90

Solenoid Valve - 2/2 - High Pressure - Normally Closed

Dimensions

Port Size	Weight Kg	Dimensions mm				
		A	B	C	D	E
3/8"	1	64	14	87	101	45
1/2"	1	64	14	87	101	45
3/4"	1.3	82	17	96	113	55

L08



Order Codes

A	Coil Voltage	B	Port	C	Seals (fluid temp. min / max)	D	Body Material	E	Options
A	AC	D	3/8" BSP	B	NBR (-10°C to + 90°C)	T	Brass		
C	DC	E	1/2" BSP	V	VITON (-10°C to + 130°C)	N	Nickel Plated Brass		
		F	3/4" BSP	E	EPDM (-10°C to + 140°C)				
				R	RULON (-10°C to + 140°C)				
				T	TEFLON (-10°C to + 140°C)				