

## DESCRIPTION



Two way direct acting solenoid valve with spring return, normally close.

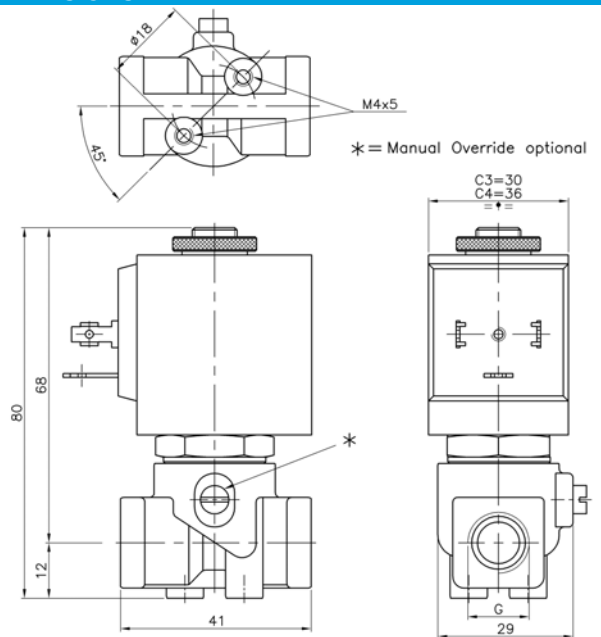
Suitable for gaseous and liquid media compatible with the used material (body/seals), vacuum.

Forged brass body.  
Brass guide tube.  
Stainless steel internal parts.  
Stainless steel springs.

Solenoid can be rotated 360°.

Valve will operate in any position.

## DIMENSIONS mm

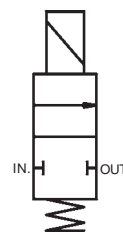


## ELETTRICAL INFORMATION

Continuous duty glass-reinforced nylon moulded coil with electrical connection suitable for DIN-43650 plug (2 poles+ground) or faston wire terminal. Two cables available on request.

Coil type:	C3 / C4
Insulation class:	F (155°C), H (180°C) on request.
Winding wire class:	H (180°C)
Protection class:	Waterproof IP-65 (norme EN60529) when properly plug connected when DIN-43650 plug.
Duty:	Continuous (S.I.) 100% ED
Power consumption:	C3 Alternate Current 13VA (inrush 20VA) Direct Current 8W C4 Alternate Current 22VA (inrush 40VA) Direct Current 27W
Voltage tolerance:	a.c. +10% ÷ -15%, d.c. +10% ÷ -5%
Electrical Insulation:	>500 MOhm
Dielectrical Strength:	>2000 V/1'
Standard voltage:	d.c. 12, 24 Volt a.c. 24, 110, 230 Volt (50/60 Hz) other voltages available on request.

## OPERATION



Normally close

In : IN  
Out : OUT  
Coil de-energised : IN and OUT close.  
Coil energised : IN to OUT

## SPECIFICATIONS AND AVAILABLE OPTIONS

MODEL					ORIFICE mm	PRESSURE IN BAR						Flow factor kv (l/min.)	WEIGHT Kg.	
						NOMINAL MAX.	MIN.	MIN./MAX. DIFFERENTIAL PRESSURE		MAX. with coil C4			with coil C3	with coil C4
a	b	c	d	e	f			AC~	DC=	AC~	DC=			
L	02	B/C	15		1,5	100	0	30	26	60	55	1,2	0,30	0,38
L	02	B/C	20		2	100	0	22	20	45	40	1,7	0,30	0,38
L	02	B/C	25		2,5	100	0	16	14	35	33	2,5	0,30	0,38
L	02	B/C	35		3,5	100	0	10	8	20	19	5,4	0,30	0,38
L	02	C	45		4,5	100	0	6,5	3,5	14	13	6,9	0,30	0,38
L	02	C/D	52		5,2	100	0	4	1,8	9	9	7,9	0,30	0,38
L	02	D	60		6	100	0	2,7	1,1	5	5	10,5	0,30	0,38
L	02	D	75		7,5	100	0	1,8	0,7	3,5	3,5	15	0,30	0,38

a	b	c	d	e	f
<b>Construction</b>	<b>Valve type</b>	<b>Port size</b>	<b>Seal material</b>	<b>Body material</b>	<b>Optional feature</b>
<b>A</b> AC <b>C</b> DC <b>B</b> Latching pilot *  <i>* Available only on request</i>	<b>L</b> 2 way N.C.	<b>B</b> 1/8" GAS <b>J</b> 1/8" NPT <b>C</b> 1/4" GAS <b>K</b> 1/4" NPT <b>D</b> 3/8" GAS <b>N</b> 3/8" NPT  <i>NPT port available only on request</i>	<b>N</b> NBR <b>V</b> VITON <b>E</b> EPDM <b>W</b> EPM WT PX * <b>R</b> RULON <b>H</b> HNBR  <i>* KTW certified for food</i>	<b>T</b> Brass <b>N</b> Nikel-plated brass <b>I</b> Brass body with Stainless Steel orifice	<b>M</b> Manual override <b>SG</b> Clean for Oxigene

Rev.ENG-00/2011 - Le caratteristiche possono subire variazioni senza preavviso. / Characteristics may change without notice.