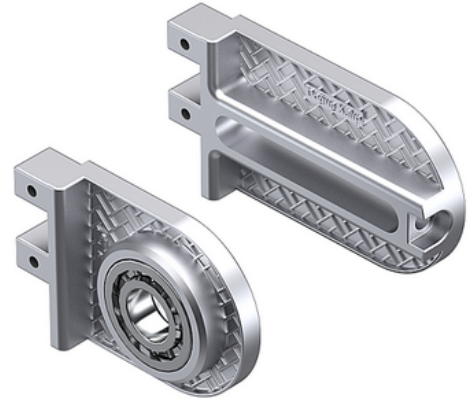
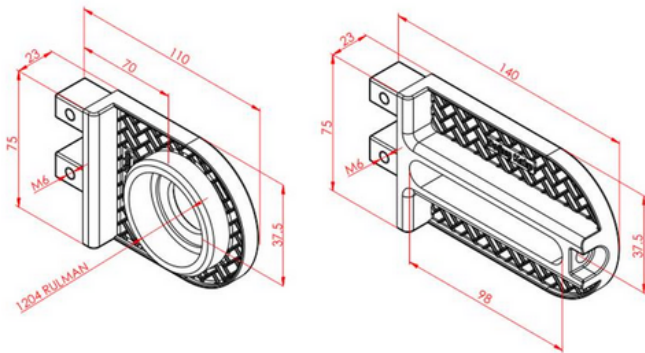


23X75 TENSION - DRIVE PLATES



General Specifications

It is used in the conveyors with 23x75 profiles for mounting the drums which is rotating the belt.  
 Motor and reducer, which ensure conveyor motion, is mounted on this plate.  
 Drive drum is also attached to this piece and thus conveyor is provided with drive mechanism.

Stock Code	Stock Name	Material	Weight (gr)
3.002.023075.01	23x75 Drive Plate Set	ETIAL 170	362
3.002.023075.02	23x75 Tension Plate Set	ETIAL 170	512