

LTP50

Pneumatic pin clamp with vanishing hook



L	T	P	5	0	F	E	2	0	-	-	-	-
1	2	3	4	5	6	7	8					

1 Series	2 Version	3 Size
-----------------	------------------	---------------

LT = Pin clamp with vanishing hook

P = Pneumatic

50 = Ø 50 mm

4 Model	5 Sensor	6 Pin diameter
----------------	-----------------	-----------------------

F = With vanishing hook

E = Electronic sensor with M12 swivel connector

N = No sensor (with protection plate)

1 <= Ø 19 mm

2 = Ø 20 mm

3 = Ø 25 mm

4 = Ø 30 mm

5 = Ø 35 mm

6 = Ø 40 mm

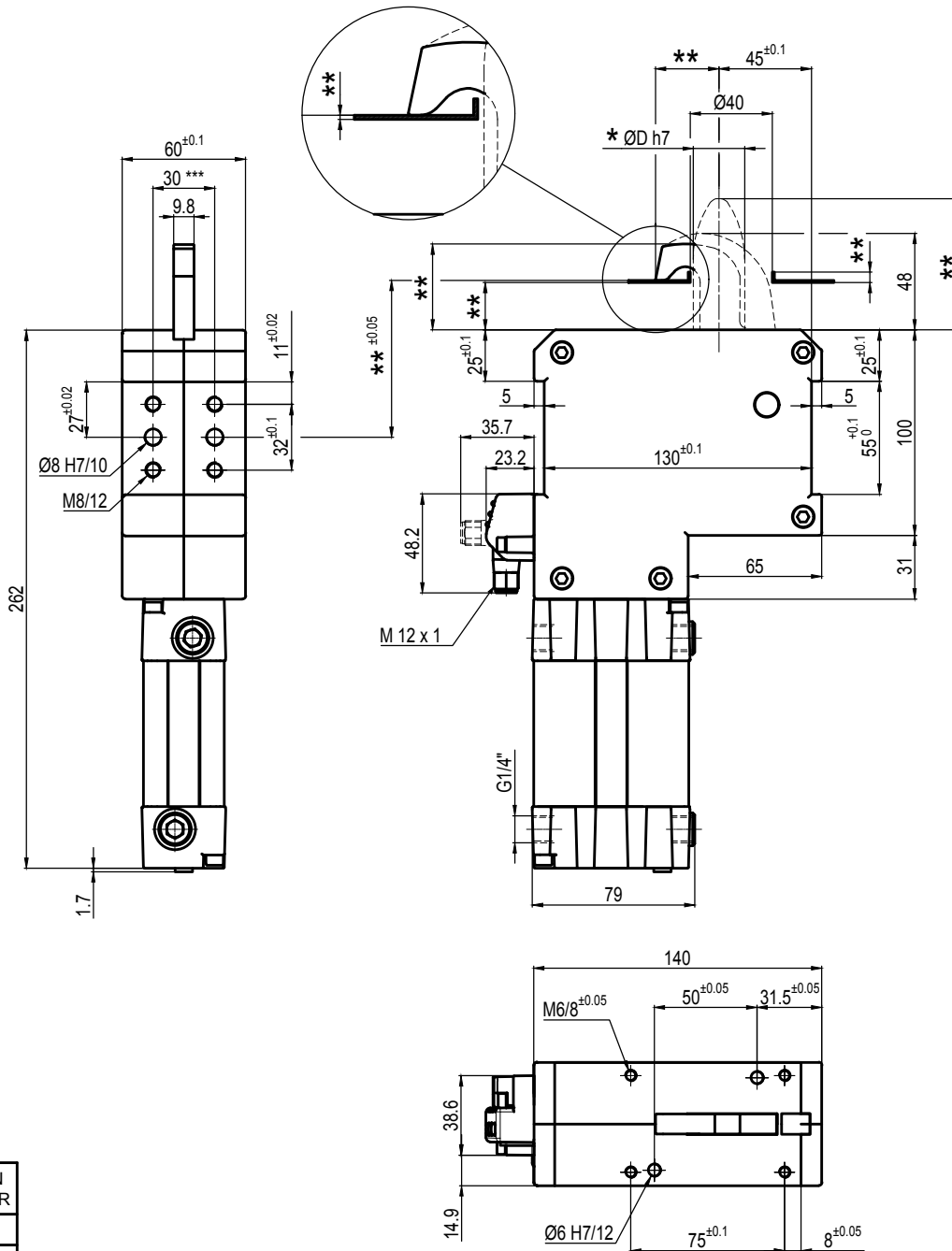
7 Locating pin	8 Progressive numbering
-----------------------	--------------------------------

0 = Locating pin not included

1 = Locating pin included

Progressive numbers for special products are assigned by the Sales Dept.

UNIVERSAL Pneumatic pin clamp with vanishing hook



*	ØD = PIN DIAMETER
1	<= 19
2	20
3	25
4	30
5	35
6	40

** : Missing dimension to be defined according to customer specifications

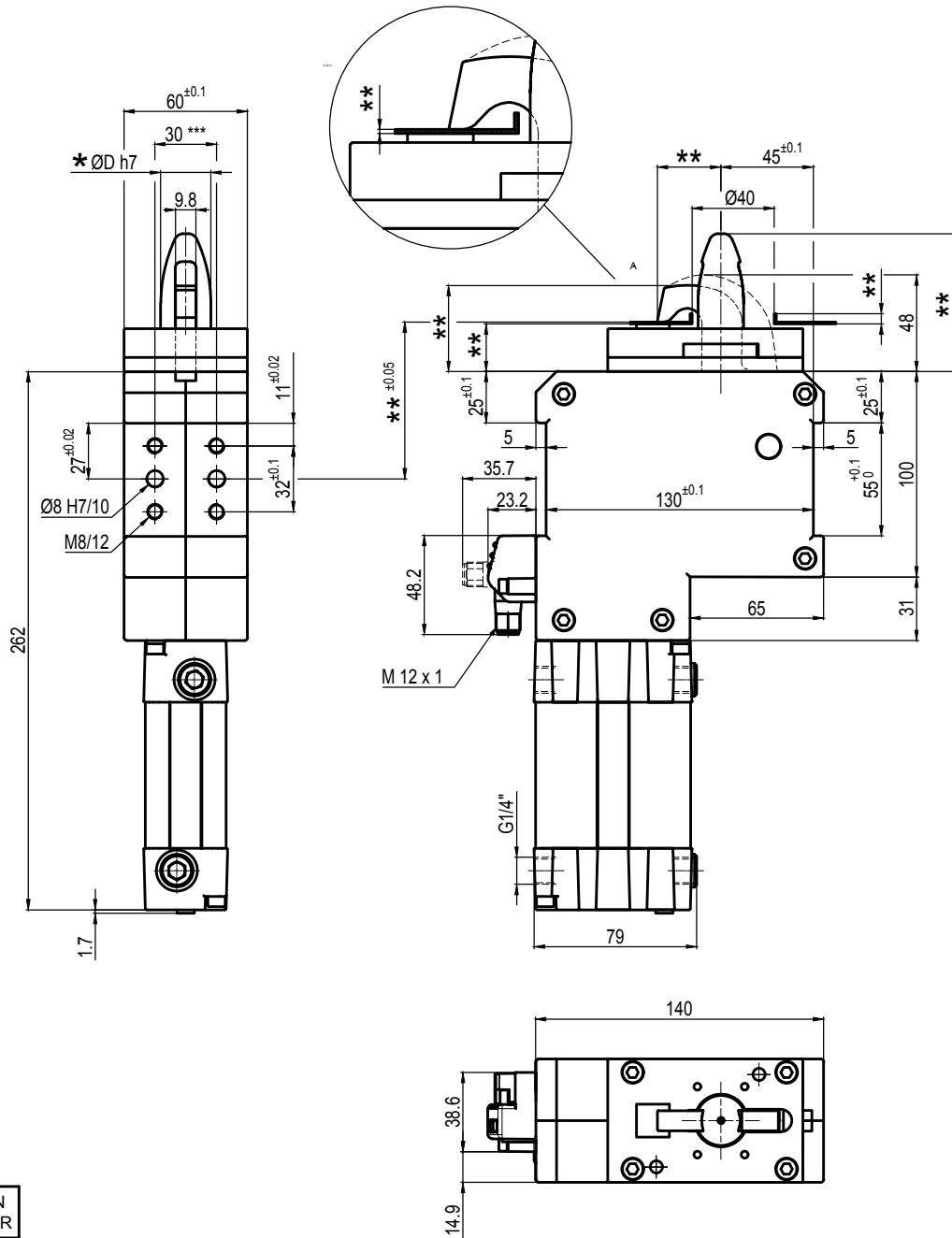
Bore Ø	Clamping force	Weight
50 mm	350 Kg	2.8 Kg

Min./Max. operating pressure: **0,4 / 0,6 MPa**
 Operating temperature: **5° ÷ 45° C**
 Electronic sensor with M12 swivel connector that can be orientated at 0° or 90°
 Supply voltage: 10÷30 Vdc
 IP code: **IP 54**
 Pneumatic ports on both sides

*** : TOLERANCE BETWEEN DOWEL HOLES ± 0.02, BETWEEN SCREW HOLES ± 0.1

Subject to technical modification without notice.

UNIVERSAL Pneumatic pin clamp with vanishing hook



*	ØD = PIN DIAMETER
1	<= 19
2	20
3	25
4	30
5	35
6	40

******: Missing dimension to be defined according to customer specifications

Bore Ø	Clamping force	Weight
50 mm	350 Kg	3.2 Kg

Min./Max. operating pressure: **0,4 / 0,6 MPa**
 Operating temperature: **5° ÷ 45° C**
 Electronic sensor with M12 swivel connector that can be orientated at 0° or 90°
 Supply voltage: 10÷30 Vdc
 IP code: **IP 54**
 Pneumatic ports on both sides

*** : TOLERANCE BETWEEN DOWEL HOLES ± 0.02, BETWEEN SCREW HOLES ± 0.1

Subject to technical modification without notice.