

LCX50

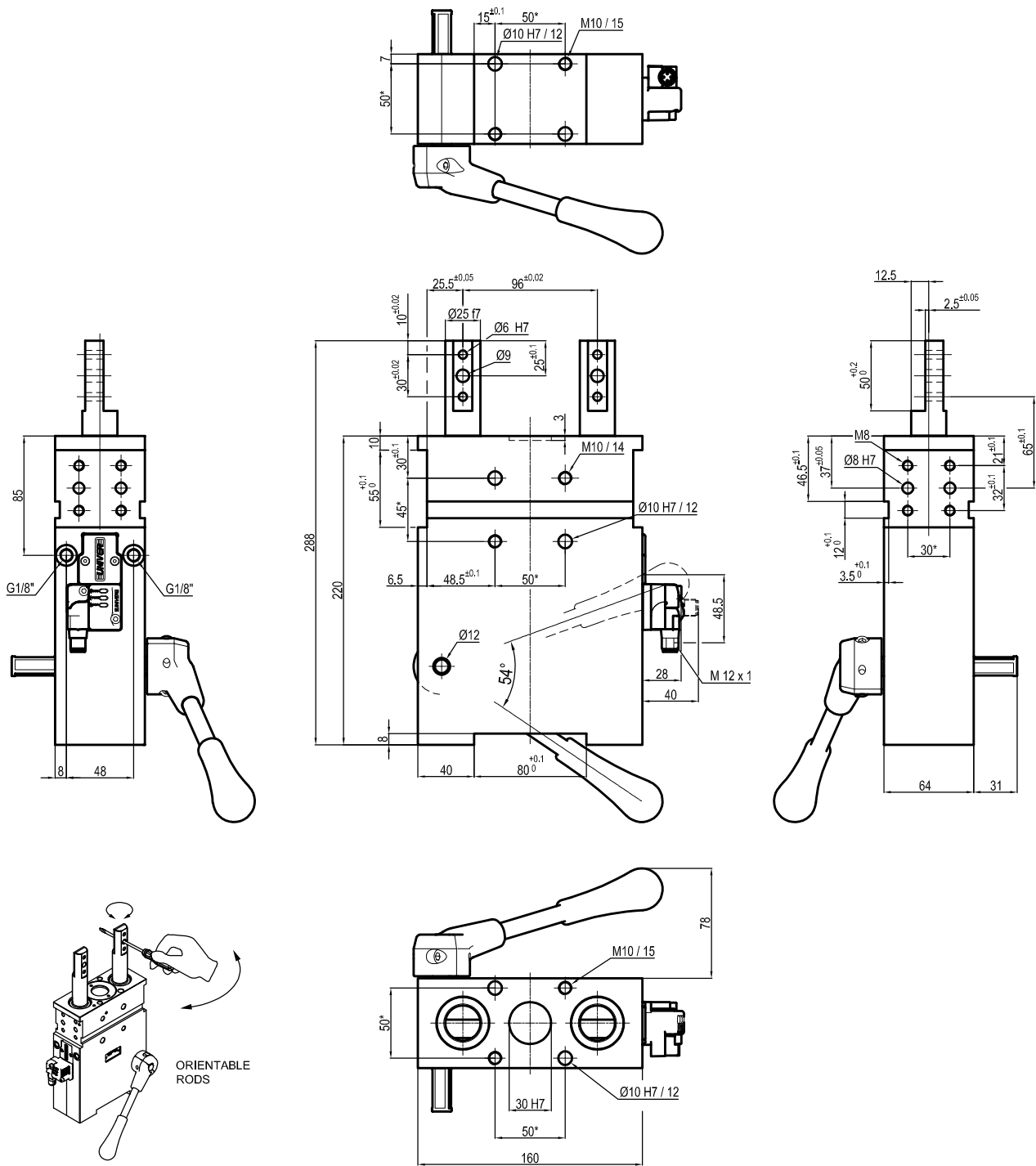
Pneumatic retractable locating pin unit, with hand lever, toggle-joint mechanism, double orientable rod



L	C	X	5	0	0	4	0	A	A	R
1	2	3	4				5	6	7	

1 Series LC = Retractable locating pin unit	2 Version X = Pneumatic, with hand lever, toggle-joint mechanism, double orientable rod	3 Size 50 = Ø 50 mm
4 Strokes 040 = 40 mm	5 Sensor N = No sensor (with protection plate) A = Electronic sensor with M12 swivel connector (DF-U)	6 Rod end style A = Rod for off-set pins G = Rod for off-set pins (rod plane matching body middle axis)
7 Option R = Metallic rod scraper		

Retractable locating pin unit with toggle mechanism two rods and handlever



Bore Ø	Min. Pull force at 0.5 MPa	** Max. Push force at 0.5 MPa	Max. torque 20 Nm	Max. deflection moment 20 Nm	Weight
50 mm	500 N	7150 N	0.1 mm	0.07 mm	7.3 Kg

X = 100 mm

Min./max. operating pressure: 0,4 / 0,6 MPa
 Operating temperature: 5° + 45° C
 Strokes in mm.: 40 mm

Electronic 24 Vdc sensor with M12 swivel connector that can be orientated at 0° or 90°
 Supply voltage: 10+30 Vdc

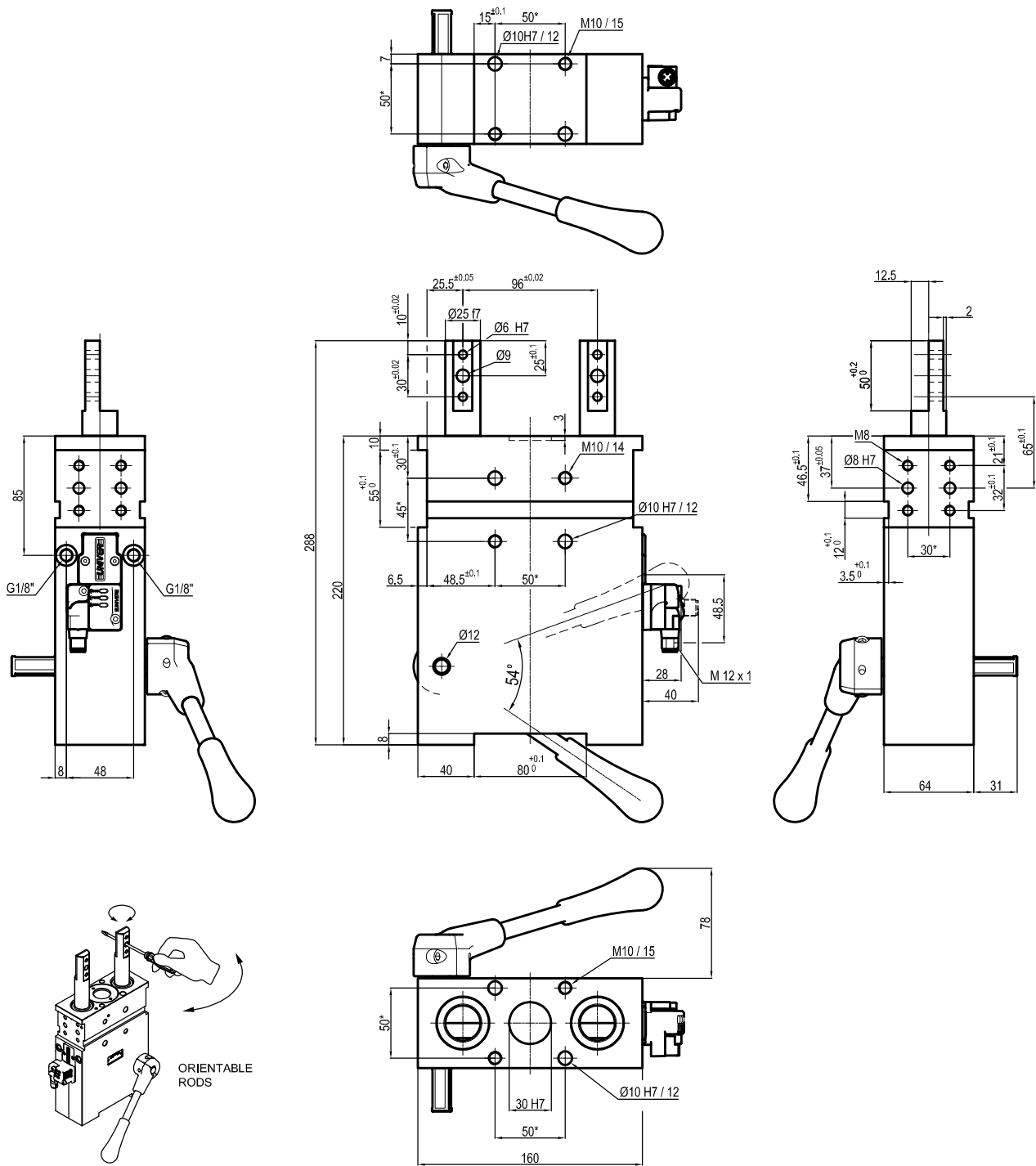
IP code: IP 65
 Pneumatic ports on both sides

Max. side load: 400 N
 Max. deflection: 0,1 mm, whit 40 mm stroke at max load
 Max. offset: 200 mm from middle point
 Manual actuation max. torque: 40 Nm

* : TOLERANCE BETWEEN DOWEL HOLES ± 0.02, BETWEEN SCREW HOLES ± 0.1
 ** : MAX PUSH FORCE AT STROKE END POSITION

Subject to technical modification without notice.

Retractable locating pin unit with toggle mechanism two rods and handlever



Bore Ø	Min. Pull force at 0,5 MPa	** Max. Push force at 0,5 MPa	Max. torque 20 Nm	Max. deflection moment 20 Nm	Weight
50 mm	500 N	7150 N	0.1 mm	0.07 mm	7.3 Kg

X = 100 mm

Min./max. operating pressure: 0,4 / 0,6 MPa
 Operating temperature: 5° + 45° C
 Strokes in mm.: 40 mm

Electronic 24 Vdc sensor with M12 swivel connector that can be orientated at 0° or 90°
 Supply voltage: 10+30 Vdc
 IP code: IP 65
 Pneumatic ports on both sides
 Max. side load: 400 N
 Max. deflection: 0,1 mm, whit 40 mm stroke at max load
 Max. offset: 200 mm from middle point
 Manual actuation max. torque: 40 Nm

* : TOLERANCE BETWEEN DOWEL HOLES ± 0.02, BETWEEN SCREW HOLES ± 0.1
 ** : MAX PUSH FORCE AT STROKE END POSITION

Subject to technical modification without notice.

LCX50

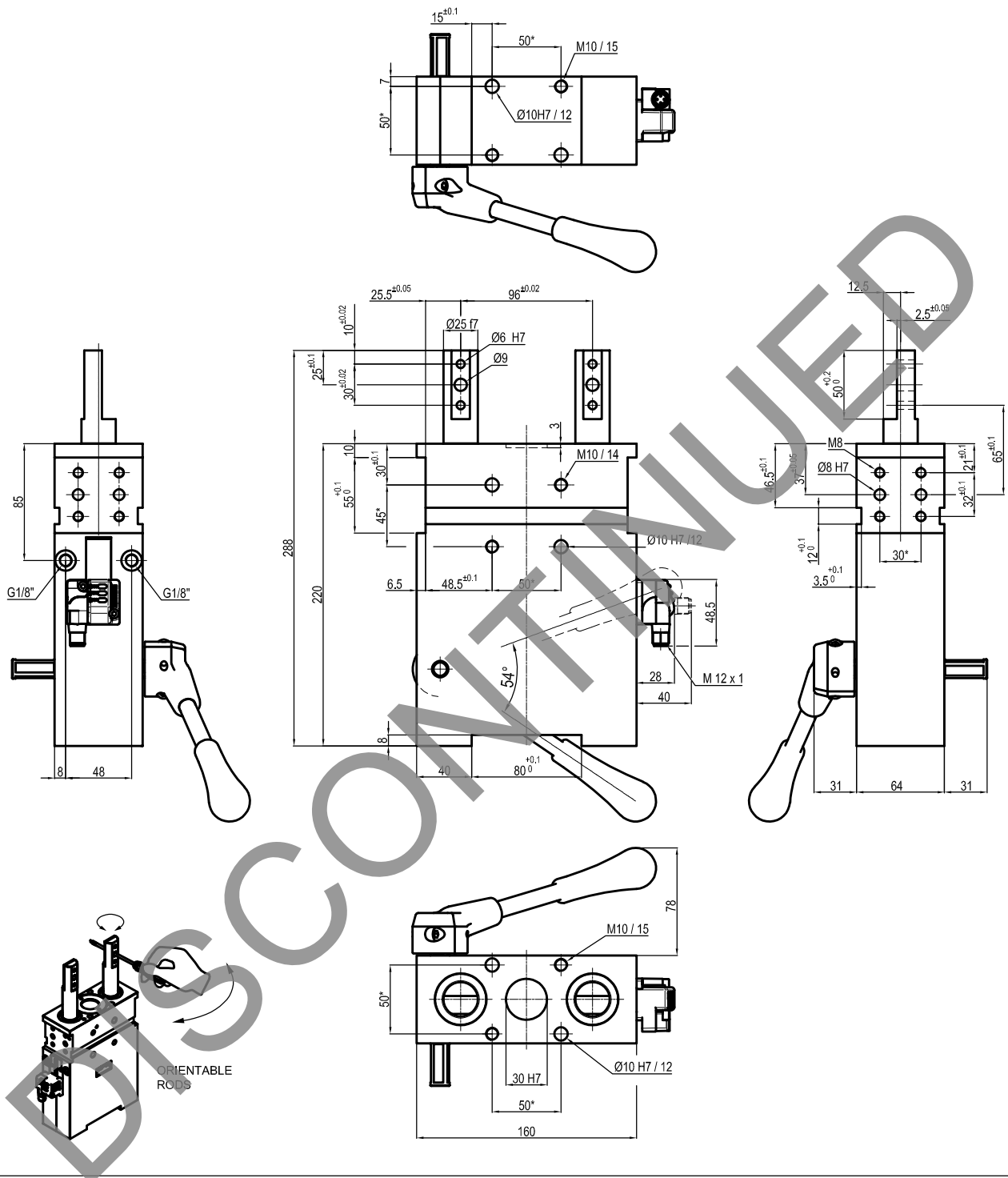
Irreversible pneumatic retractable locating pin unit with hand lever, double orientable rod



L	C	X	5	0	0	4	0	E	A	R
1	2	3	4		5	6	7			

1 Series LC = Retractable locating pin unit	2 Version X = Irreversible pneumatic with hand lever, double orientable rod	3 Size 50 = Ø 50 mm
4 Strokes 040 = 40 mm	5 Sensor N = No sensor (with protection plate) E = Electronic sensor with M12 swivel connector	6 Rod end style A = Rod for off-set pins G = Rod for off-set pins (rod plane matching body middle axis)
7 Rod scraper R = Metallic rod scraper		

Retractable locating pin unit with toggle mechanism two rods and handlever



Min./max. operating pressure: 0,4 / 0,6 MPa
 Operating temperature: 5° + 45° C
 Strokes in mm.: 40 mm

Electronic 24 Vdc sensor with M12 swivel connector that can be orientated at 0° or 90°
 Supply voltage: 10*30 Vdc

IP code: IP 65
 Pneumatic ports on both sides

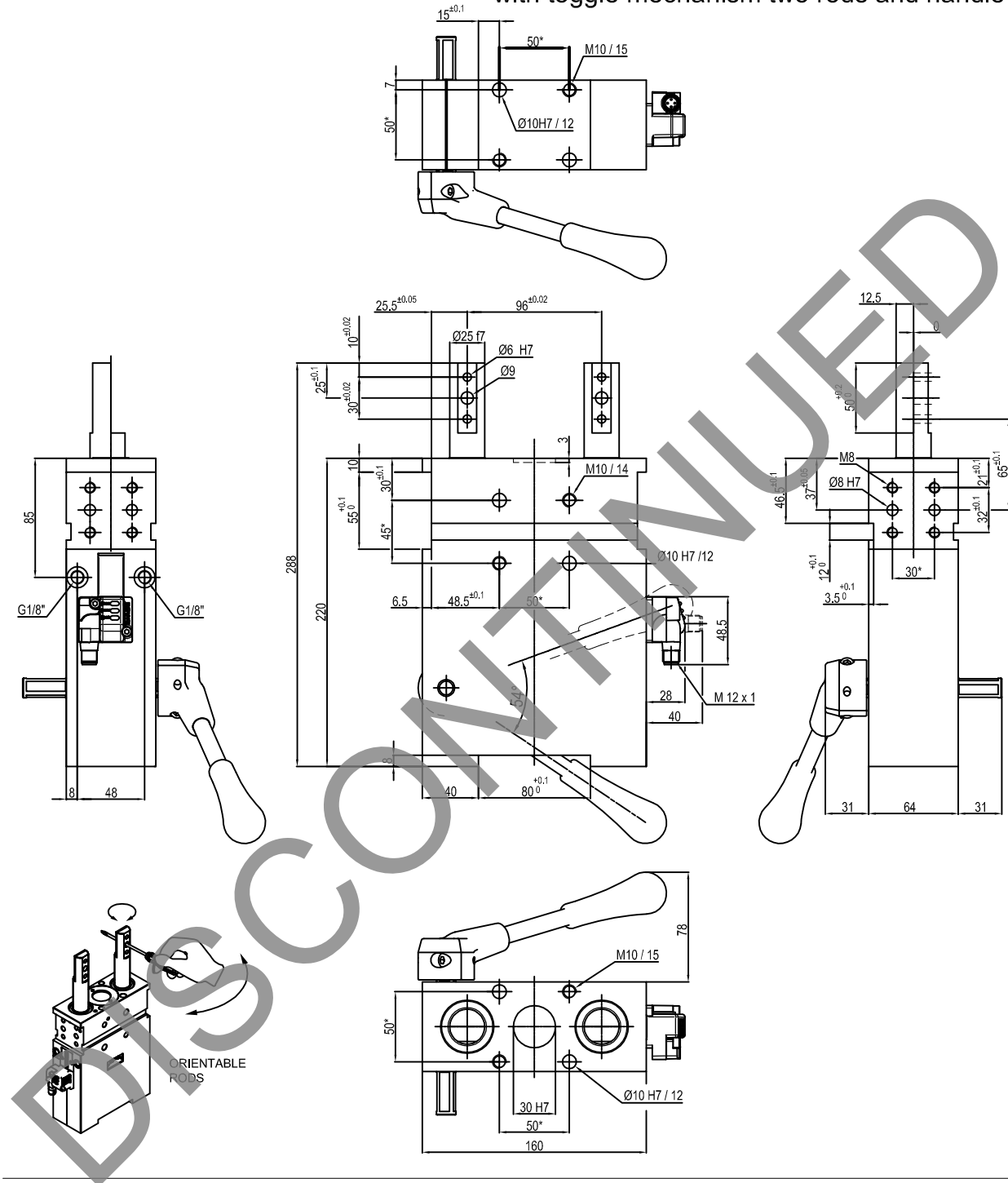
Max. side load: 400 N
 Max. deflection: 0,1 mm, whit 40 mm stroke at max load
 Max. offset: 200 mm from middle point

Bore Ø	Pull force at 0,5 MPa	Push force at 0,5 MPa	Weight
50 mm	6500 N	7150 N	7.3 Kg

* : TOLERANCE BETWEEN DOWEL HOLES ± 0.02, TO SCREW HOLES ± 0.1

Subject to technical modification without notice.

UNIVERSAL Retractable locating pin unit with toggle mechanism two rods and handlever



Min./max. operating pressure: 0,4 / 0,6 MPa
 Operating temperature: 5° + 45° C
 Strokes in mm.: 40 mm

Electronic 24 Vdc sensor with M12 swivel connector that can be orientated at 0° or 90°
 Supply voltage: 10+30 Vdc

IP code: IP 65
 Pneumatic ports on both sides

Max. side load: 400 N
 Max. deflection: 0,1 mm, whit 40 mm stroke at max load
 Max. offset: 200 mm from middle point

Bore Ø	Pull force at 0,5 MPa	Push force at 0,5 MPa	Weight
50 mm	6500 N	7150 N	7.3 Kg

* : TOLERANCE BETWEEN DOWEL HOLES ± 0.02, TO SCREW HOLES ± 0.1

Subject to technical modification without notice.