

# LCY40

Pneumatic retractable locating pin unit with hand lever, toggle-joint mechanism single rod



L	C	Y	4	0	0	4	0	A	A	E	R
1	2	3	4				5	6	7	8	

<b>1 Series</b>	<b>2 Version</b>	<b>3 Size</b>
-----------------	------------------	---------------

LC = Retractable locating pin unit

Y = Pneumatic, with hand lever, toggle joint-mechanism, single rod

40 = Ø 40 mm

<b>4 Strokes</b>	<b>5 Sensor</b>	<b>6 Rod end style</b>
------------------	-----------------	------------------------

040 = 40 mm

N = No sensor (with protection plate)  
A = Electronic sensor with M12 swivel connector (DF-U)

A = Rod for off-set pins  
B = Rod with profiled end  
C = Rod with cross-profiled end inner Ø 16 mm  
D = Rod for off-set pins with oversized dowel holes

<b>7 Rod orientation</b>	<b>8 Option</b>
--------------------------	-----------------

E = East, standard



O = West



N = North

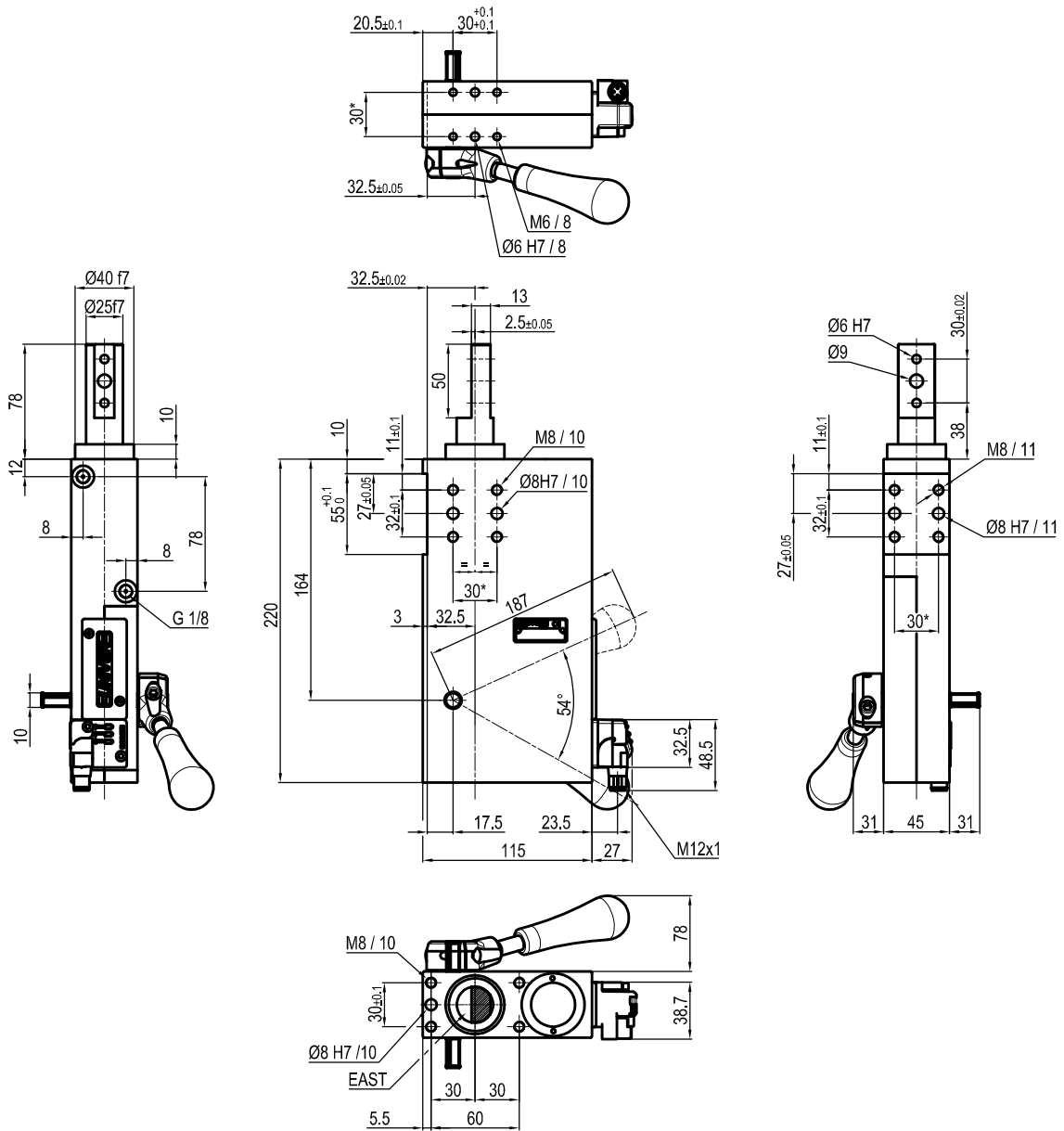


S = South



R = Metallic rod scraper

Only with A and D rod end styles



Bore Ø	Min. pull force 0.5 MPa	Max. push force 0.5 MPa	Max. bending moment	Max. deflection moment	Weight
40 mm	200N	3100N	6 Nm ±0.06°	7.5 Nm ±0.03	5.7 Kg

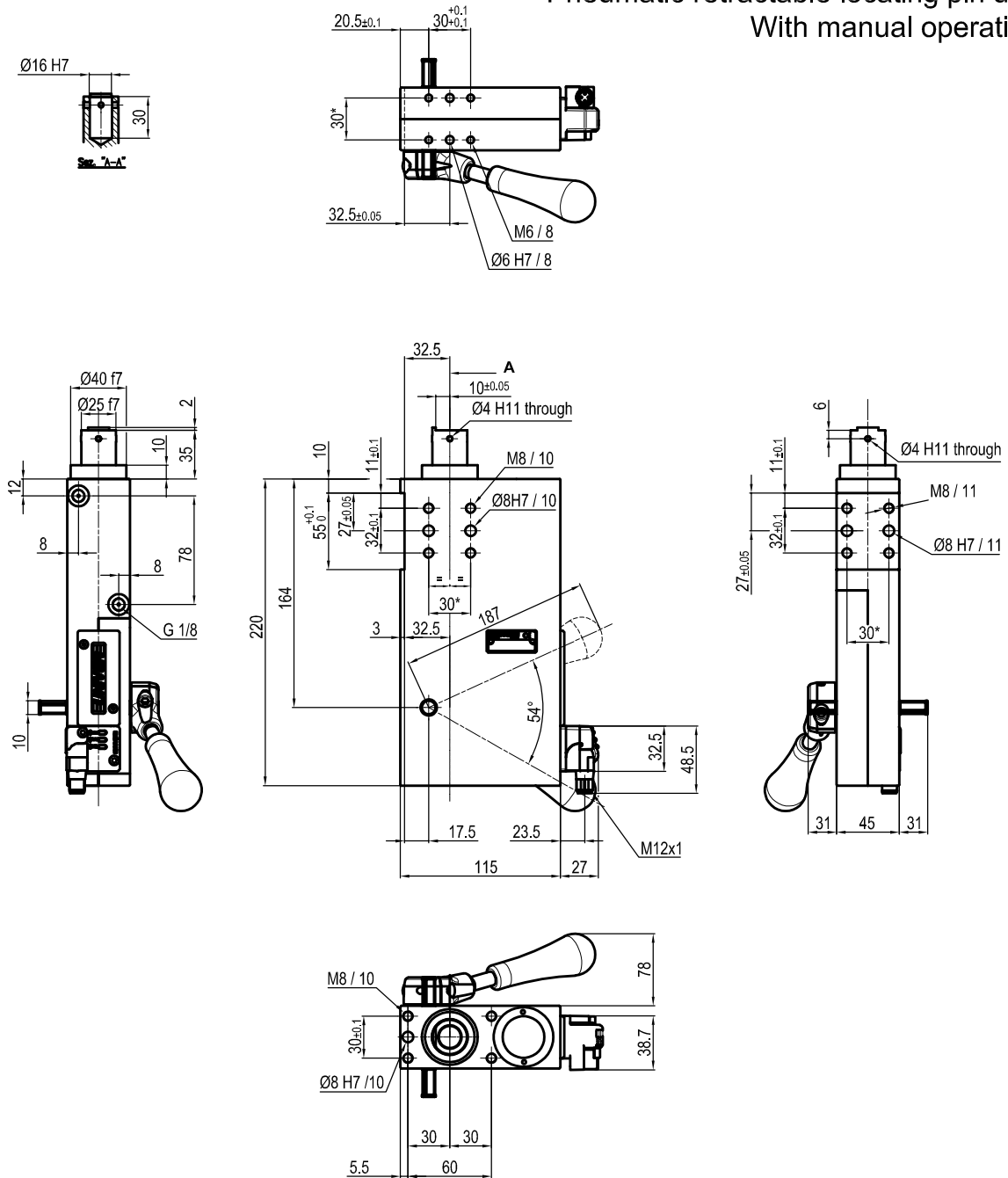
Min./max. operating pressure: **0,4 / 0,6 MPa**  
 Operating temperature: **5° + 45° C**  
 Strokes in mm.: **40**  
 Electronic sensor with M12 swivel connector that can be orientated at 0° or 90°  
 Supply voltage: 10+30 Vdc  
 IP code: **IP 65**  
 Manual actuation max. torque: 40 Nm

\* : TOLERANCE BETWEEN DOWEL HOLES ± 0.02, BETWEEN SCREW HOLES ± 0.1

\*\* : MAX PUSH FORCE AT STROKE END POSITION

Subject to technical modification without notice.

## Pneumatic retractable locating pin unit With manual operation



Bore Ø	Min. pull force 0.5 MPa	** Max. push force 0.5 MPa	Max. bending moment	Max. deflection moment	Weight
40 mm	200N	3100N	6 Nm ±0.06°	7.5 Nm ±0.03	5.7 Kg

Min./max. operating pressure: **0,4 / 0,6 MPa**

Operating temperature: **5° + 45° C**

Strokes in mm.: **40**

Electronic sensor with M12 swivel connector that can be orientated at 0° or 90°

Supply voltage: 10+30 Vdc

IP code: **IP 65**

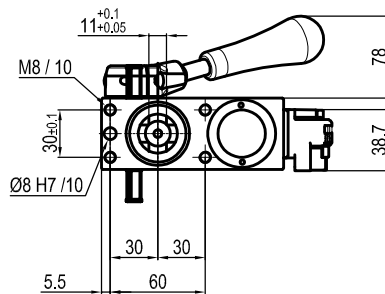
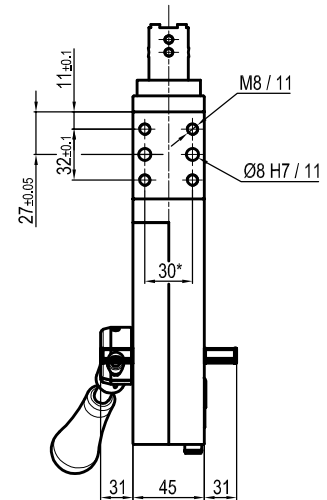
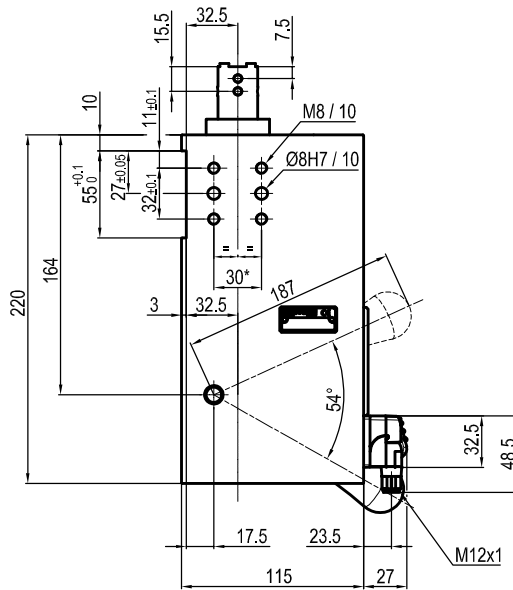
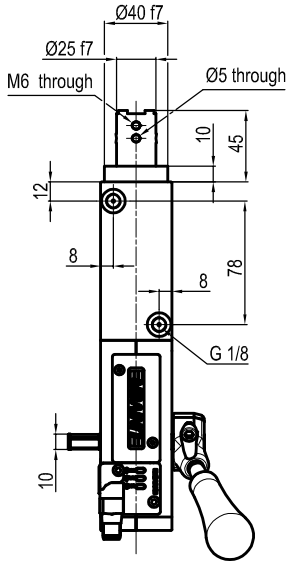
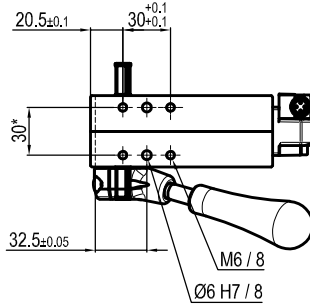
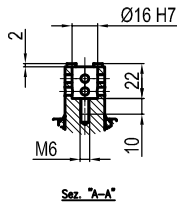
Manual actuation max. torque: 40 Nm

\* : TOLERANCE BETWEEN DOWEL HOLES ± 0.02, BETWEEN SCREW HOLES ± 0.1

\*\* : MAX PUSH FORCE AT STROKE END POSITION

Subject to technical modification without notice.

Pneumatic retractable locating pin unit  
With manual operation



Bore Ø	Min. pull force 0,5 MPa	** Max. push force 0,5 MPa	Max. bending moment	Max. deflection moment	Weight
40 mm	200N	3100N	6 Nm ±0.06°	7.5 Nm ±0.03	5.7 Kg

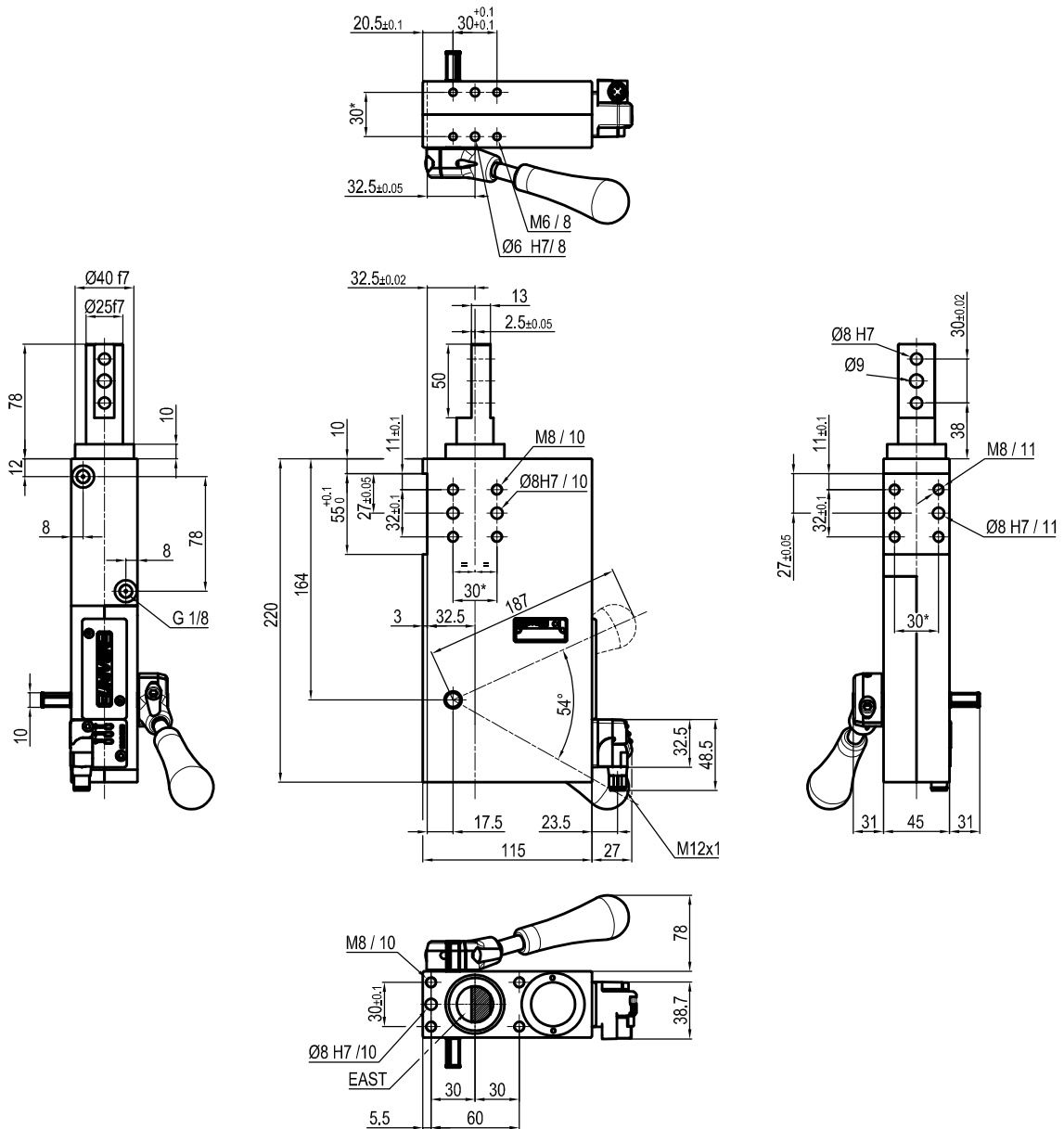
Min./max. operating pressure: **0,4 / 0,6 MPa**  
 Operating temperature: **5° + 45° C**  
 Strokes in mm.: **40**  
 Electronic sensor with M12 swivel connector that can be orientated at 0° or 90°  
 Supply voltage: 10+30 Vdc  
 IP code: **IP 65**  
 Manual actuation max. torque: 40 Nm

\* : TOLERANCE BETWEEN DOWEL HOLES ± 0.02, BETWEEN SCREW HOLES ± 0.1

\*\* : MAX PUSH FORCE AT STROKE END POSITION

Subject to technical modification without notice.

## UNIVERSAL Pneumatic retractable locating pin unit



Bore Ø	Min. pull force 0.5 MPa	** Max. push force 0.5 MPa	Max. bending moment	Max. deflection moment	Weight
40 mm	200N	3100N	6 Nm ±0.06°	7.5 Nm ±0.03	5.7 Kg

Min./max. operating pressure: **0,4 / 0,6 MPa**

Operating temperature: **5° + 45° C**

Strokes in mm.: **40**

Electronic sensor with M12 swivel connector that can be orientated at 0° or 90°

Supply voltage: 10+30 Vdc

IP code: **IP 65**

Manual actuation max. torque: 40 Nm

\* : TOLERANCE BETWEEN DOWEL HOLES ± 0.02, BETWEEN SCREW HOLES ± 0.1

\*\* : MAX PUSH FORCE AT STROKE END POSITION

Subject to technical modification without notice.

# LCY40

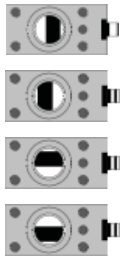
Irreversible pneumatic retractable locating pin unit with hand lever, single rod



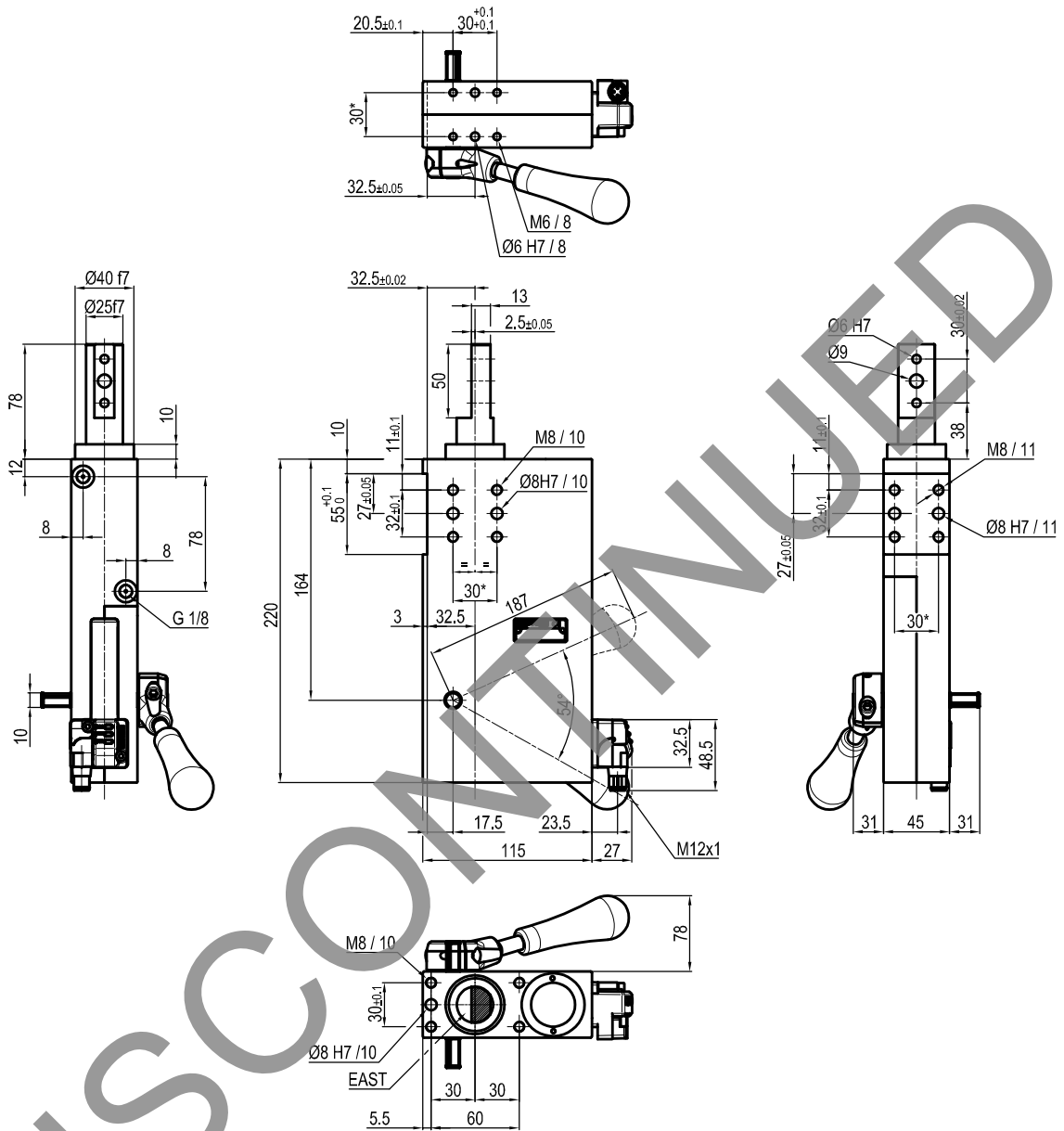
L	C	Y	4	0	0	4	0	E	A	E	R
1	2	3	4				5	6	7	8	

<b>1 Series</b> LC = Retractable locating pin unit	<b>2 Version</b> Y = Pneumatic-irreversible with hand lever, single rod	<b>3 Size</b> 40 = Ø 40 mm
<b>4 Strokes</b> 040 = 40 mm	<b>5 Sensor</b> N = No sensor (with protection plate) E = Electronic sensor with M12 swivel connector	<b>6 Rod end style</b> A = Rod for off-set pins B = Rod with profiled end C = Rod with cross-profiled end inner Ø 16 mm D = Rod for off-set pins with oversized dowel holes

<b>7 Rod orientation</b> E = East, standard O = West N = North S = South	<b>8 Rod scraper</b> R = Metallic rod scraper
--	--



Only with A and D rod end styles



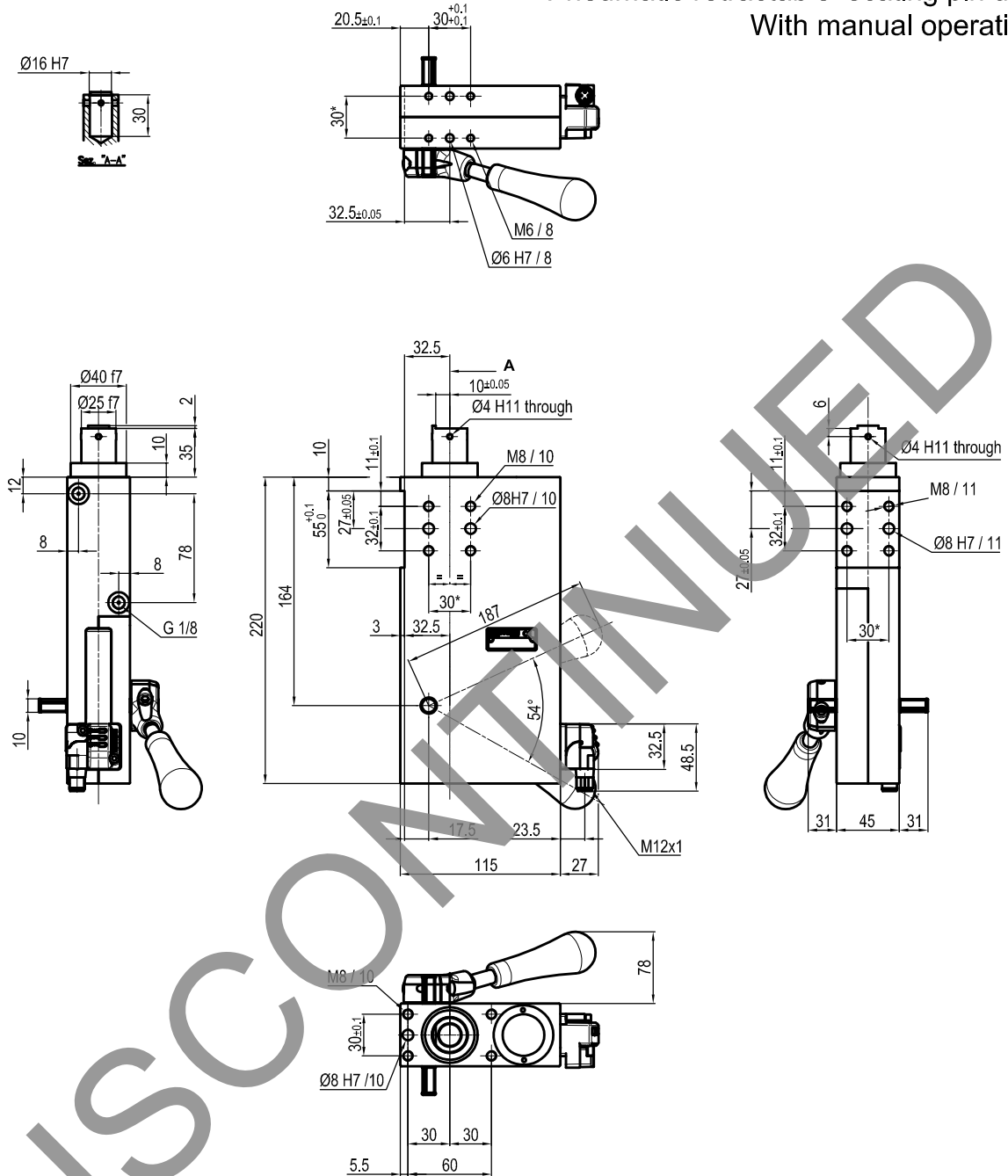
Bore Ø	Max. bending moment	Max. deflection moment	Weight
40 mm	6 Nm ±0.06°	7.5 Nm ±0.03	5.7 Kg

Min./max. operating pressure: **0,4 / 0,6 MPa**  
 Operating temperature: **5° + 45° C**  
 Strokes in mm.: **40**  
 Electronic sensor with M12 swivel connector that can be orientated at 0° or 90°  
 Supply voltage: 10+30 Vdc  
 IP code: **IP 65**

\* : TOLERANCE BETWEEN DOWEL HOLES ± 0.02, TO SCREW HOLES ± 0.1

Subject to technical modification without notice.

Pneumatic retractable locating pin unit  
With manual operation



Bore Ø	Max. bending moment	Max. deflection moment	Weight
40 mm	6 Nm ±0.06°	7.5 Nm ±0.03	5.7 Kg

Min./max. operating pressure: **0,4 / 0,6 MPa**

Operating temperature: **5° + 45° C**

Strokes in mm.: **40**

Electronic sensor with M12 swivel connector that can be orientated at 0° or 90°

Supply voltage: 10÷30 Vdc

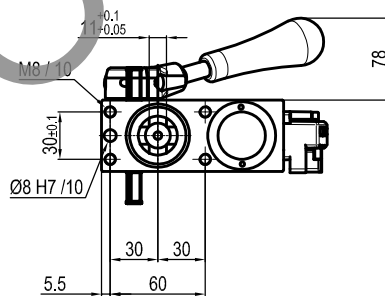
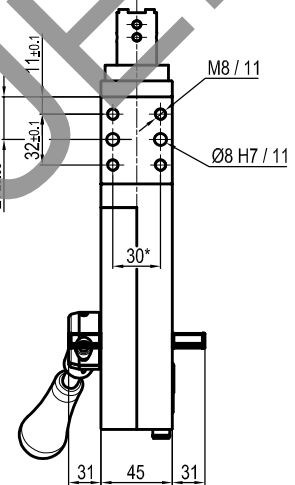
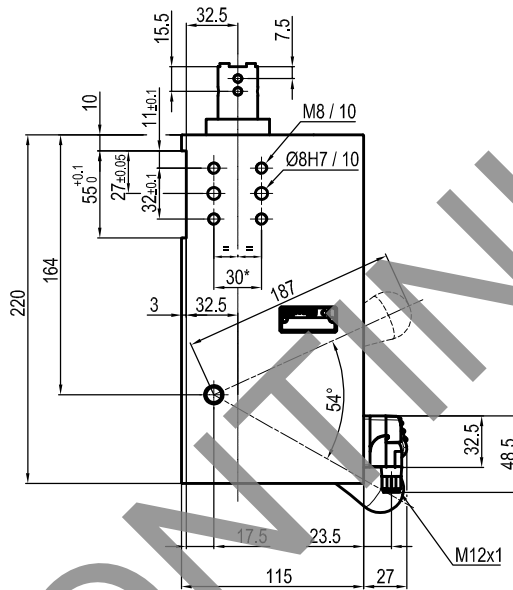
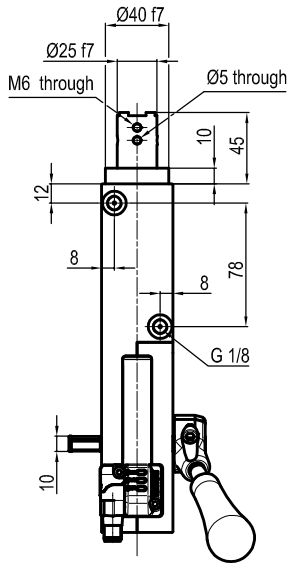
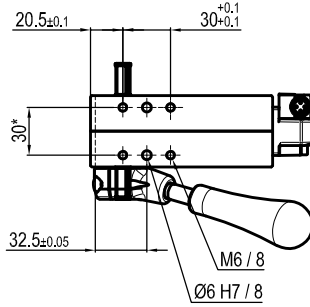
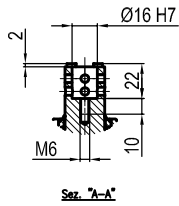
IP code: **IP 65**

\* : TOLERANCE BETWEEN DOWEL HOLES ± 0.02, TO SCREW HOLES ± 0.1

Subject to technical modification without notice.



Pneumatic retractable locating pin unit  
With manual operation



Bore Ø	Max. bending moment	Max. deflection moment	Weight
40 mm	6 Nm ±0.06°	7.5 Nm ±0.03	5.7 Kg

Min./max. operating pressure: **0,4 / 0,6 MPa**

Operating temperature: **5° + 45° C**

Strokes in mm.: **40**

Electronic sensor with M12 swivel connector that can be orientated at 0° or 90°

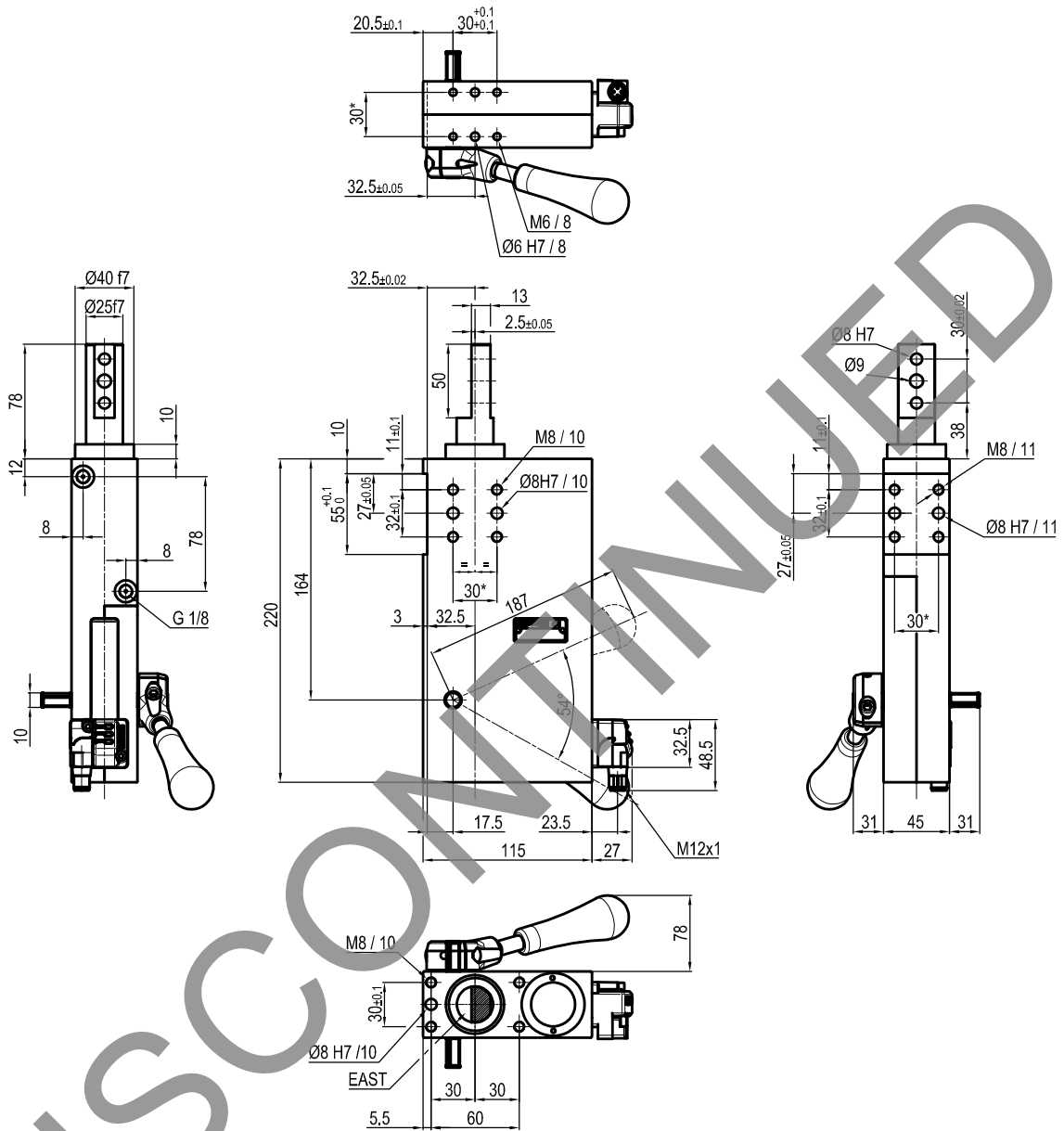
Supply voltage: 10+30 Vdc

IP code: **IP 65**

\* : TOLERANCE BETWEEN DOWEL HOLES ± 0.02, TO SCREW HOLES ± 0.1

Subject to technical modification without notice.

## UNIVERSAL Pneumatic retractable locating pin unit



Bore Ø	Max. bending moment	Max. deflection moment	Weight
40 mm	6 Nm ±0.06°	7.5 Nm ±0.03	5.7 Kg

Min./max. operating pressure: **0,4 / 0,6 MPa**  
 Operating temperature: **5° + 45° C**  
 Strokes in mm.: **40**  
 Electronic sensor with M12 swivel connector that can be orientated at 0° or 90°  
 Supply voltage: 10+30 Vdc  
 IP code: **IP 65**

\* : TOLERANCE BETWEEN DOWEL HOLES ± 0.02, TO SCREW HOLES ± 0.1

Subject to technical modification without notice.