

# LCG50

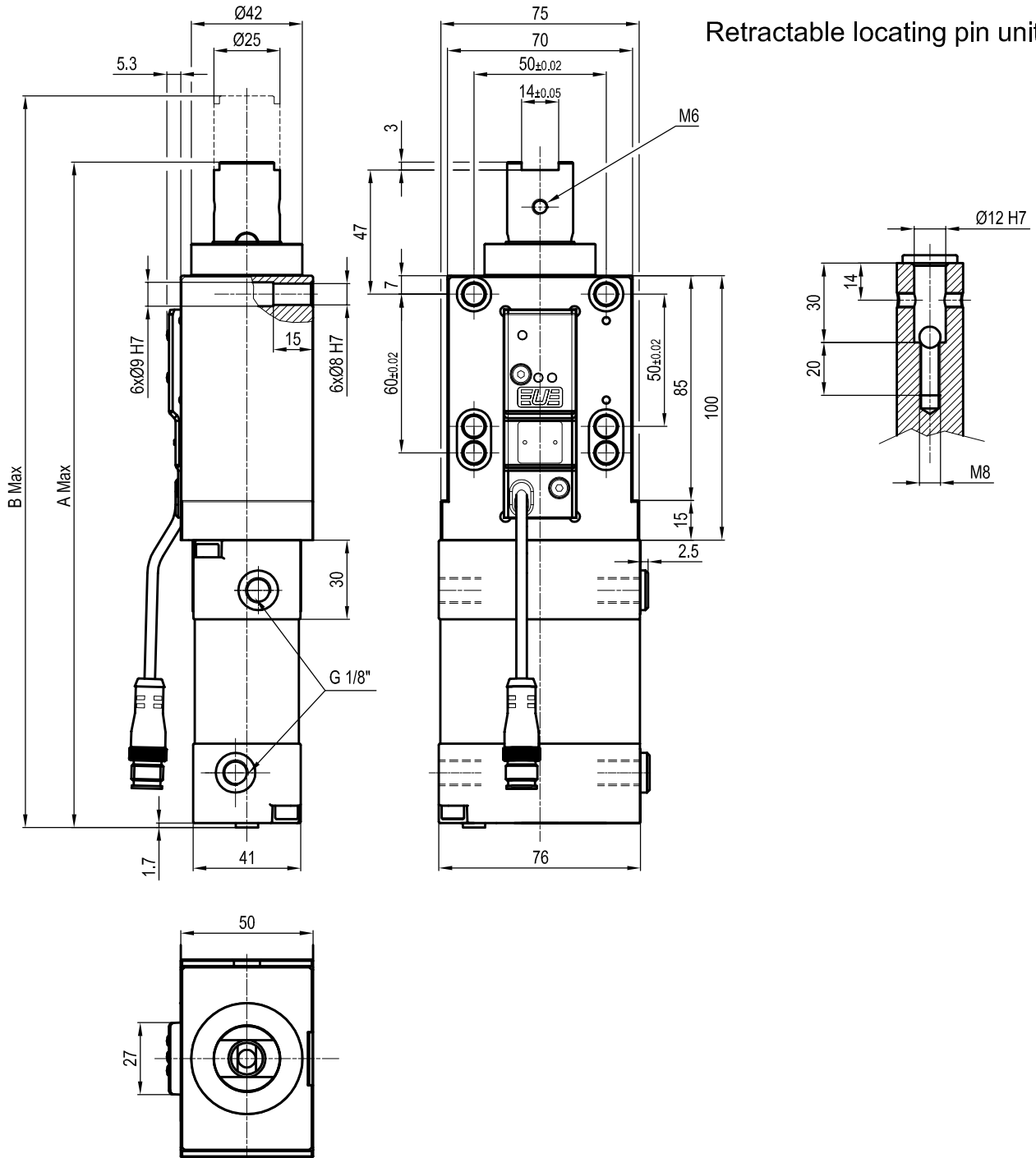
Pneumatic retractable locating pin unit conforming to **CNOMO** standard, single rod



L	C	G	5	0	0	5	0	U	1	2	R
1	2	3	4				5	6	7		

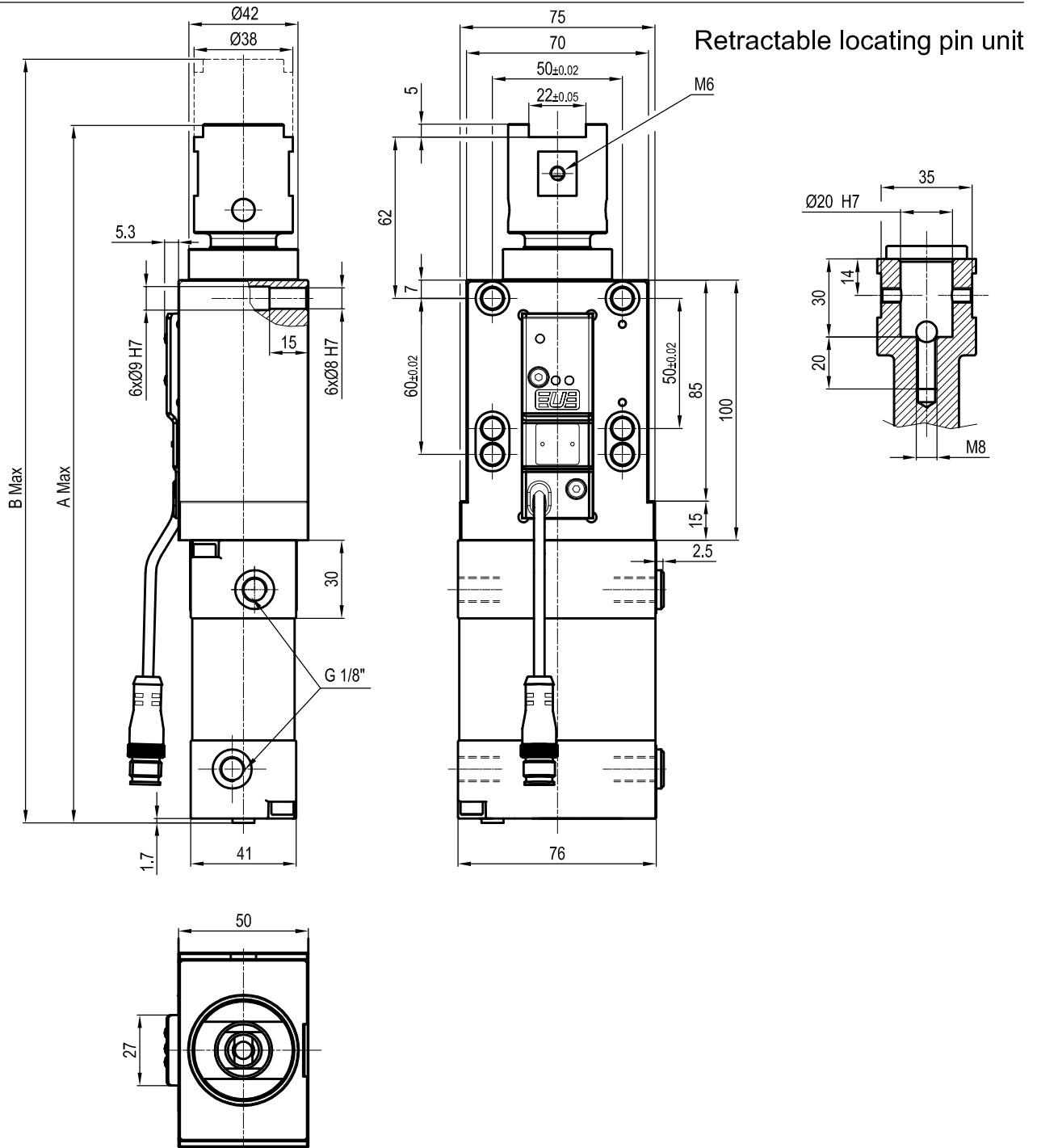
<b>1 Series</b> <b>LC</b> = Retractable locating pin unit conforming to <b>CNOMO</b> standard	<b>2 Version</b> <b>P</b> = Pneumatic, single rod	<b>3 Size</b> <b>50</b> = Ø 50 mm
<b>4 Strokes</b> <b>025</b> = 15 mm <b>050</b> = 25 mm	<b>5 Sensing style</b> <b>U</b> = Electronic sensor	<b>6 Rod's inner Ø</b> <b>12</b> = Ø 12 mm <b>20</b> = Ø 20 mm
<b>7 Rod scraper</b> <b>R</b> = Metallic rod scraper		

## Retractable locating pin unit



ROD'S INNER Ø12				
CYLINDER Ø	STROKE	WEIGHT	A	B
CYLINDER Ø50	25 mm	2.0 Kg	255 mm	280 mm
CYLINDER Ø50	50 mm	2.1 Kg	280 mm	330 mm

Min./max. operating pressure: **0,4 / 0,6 MPa**  
 Operating temperature: **5° + 45° C**  
 Electronic sensor with M12  
 Supply voltage: 10\*30 Vdc  
 IP code: **IP 65**  
 Pneumatic ports on both sides



ROD'S INNER Ø20				
CYLINDER Ø	STROKE	WEIGHT	A	B
CYLINDER Ø50	25 mm	2.4 Kg	270 mm	295 mm
CYLINDER Ø50	50 mm	2.5 Kg	295 mm	345 mm

Min./max. operating pressure: **0,4 / 0,6 MPa**  
 Operating temperature: **5° + 45° C**  
 Electronic sensor with M12  
 Supply voltage: 10\*30 Vdc  
 IP code: **IP 65**  
 Pneumatic ports on both sides