

LCJ50

Pneumatic retractable locating pin unit,
higher traction force,
single rod



L	C	J	5	0	0	5	0	A	A	E	R
1	2	3	4				5	6	7	8	

1 Series	2 Version	3 Size
-----------------	------------------	---------------

LC = Retractable locating pin unit

P = Pneumatic-standard, higher traction force, single rod

50 = Ø 50 mm

4 Strokes	5 Sensor	6 Rod end style
------------------	-----------------	------------------------

025 = 25 mm
040 = 40 mm
060 = 60 mm

D = Pneumatic sensor with double air supply
N = No sensor (with protection plate)
A = Electronic sensor with M12 swivel connector DF-U

A = Rod for off-set pins
B = Rod with profiled end
C = Rod with cross-profiled end inner Ø 16 mm
D = Rod for off-set pins with oversized dowel holes
E = Rod with cross-profiled end inner Ø 10 mm
F = Rod for side mounting
H = Rod with flat end, inner Ø 10 mm
I = Rod with flat end, inner Ø 12 mm
L = Rod with 12 mm hole compatible with CNOMO LCG
M = Rod with 20 mm hole compatible with CNOMO LCG

7 Rod orientation	8 Option
--------------------------	-----------------

E = east, standard



O = west



N = north



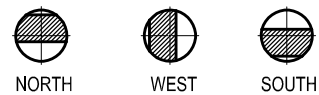
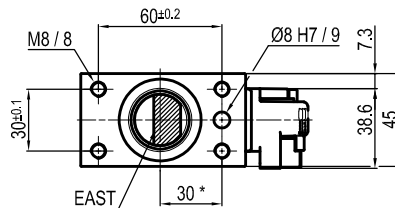
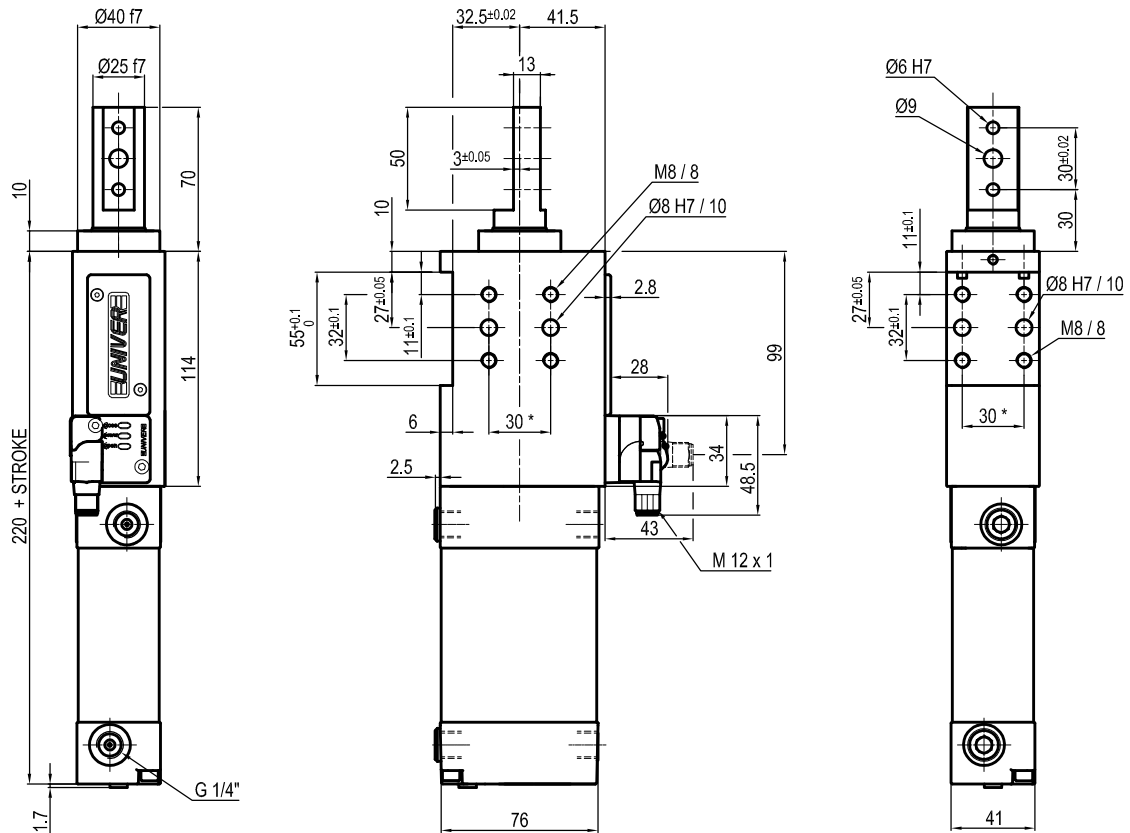
S = south



R = Metallic rod scraper

Only with A and D rod end styles

UNIVERSAL Retractable locating pin unit with improved pull force



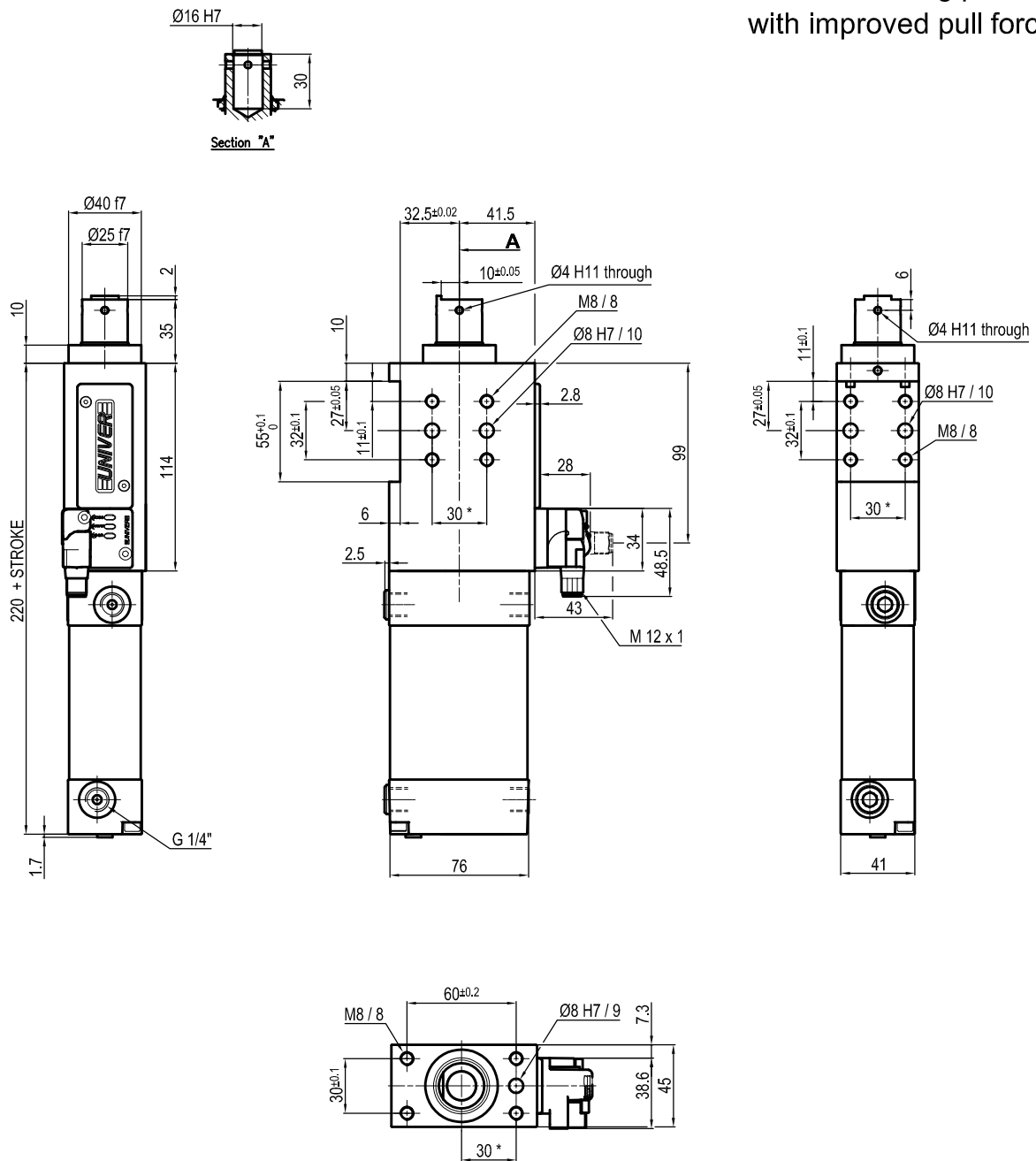
Bore Ø	Max. pull force	Max. push force	Max. torque	Max. deflection moment	Weight
50 mm	860 N	960 N	±0.06°	±0.03°	2.3 Kg

Min./max. operating pressure: **0,4 / 0,6 MPa**
 Operating temperature: **5° + 45° C**
 Strokes in mm.: **25 - 40 - 60**
 Electronic sensor with M12 swivel connector that can be orientated at 0° or 90°
 Supply voltage: 10+30 Vdc
 IP code: **IP 65**
 Pneumatic ports on both sides

* : TOLERANCE BETWEEN DOWEL HOLES ± 0.02, BETWEEN SCREW HOLES ± 0.1

Subject to technical modification without notice.

UNIVERSAL Retractable locating pin unit with improved pull force



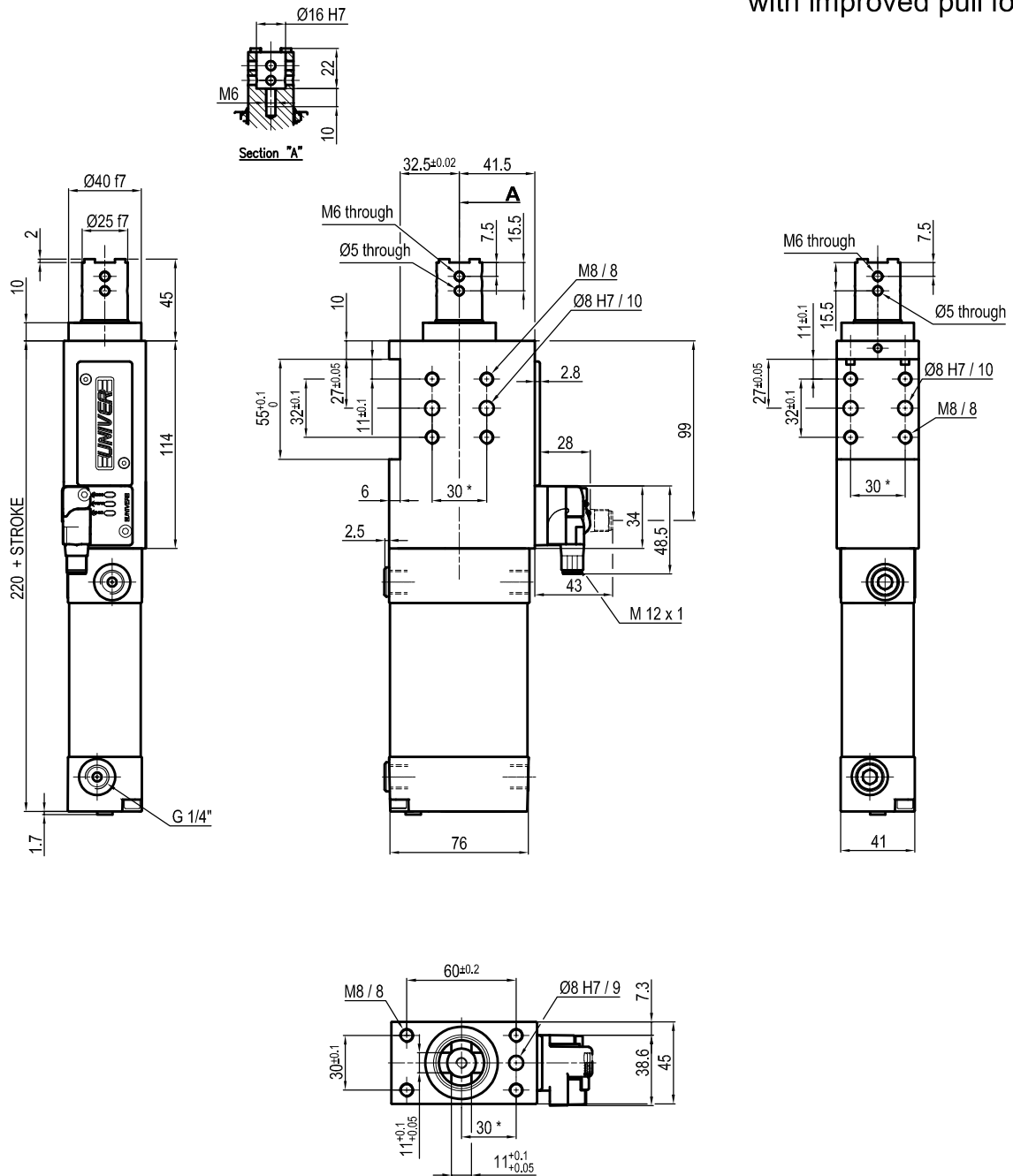
Bore Ø	Max. pull force 0.5 MPa	Max. push force 0.5 MPa	Max. torque 6 Nm	Max. deflection moment 7.5 Nm	Weight
50 mm	860 N	960 N	±0.06°	±0.03°	2.3 Kg

Min./max. operating pressure: **0,4 / 0,6 MPa**
 Operating temperature: **5° + 45° C**
 Strokes in mm.: **25 - 40 - 60**
 Electronic sensor with M12 swivel connector that can be orientated at 0° or 90°
 Supply voltage: 10+30 Vdc
 IP code: **IP 65**
 Pneumatic ports on both sides

* : TOLERANCE BETWEEN DOWEL HOLES ± 0.02, BETWEEN SCREW HOLES ± 0.1

Subject to technical modification without notice.

UNIVERSAL Retractable locating pin unit with improved pull force



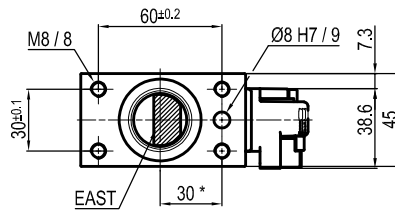
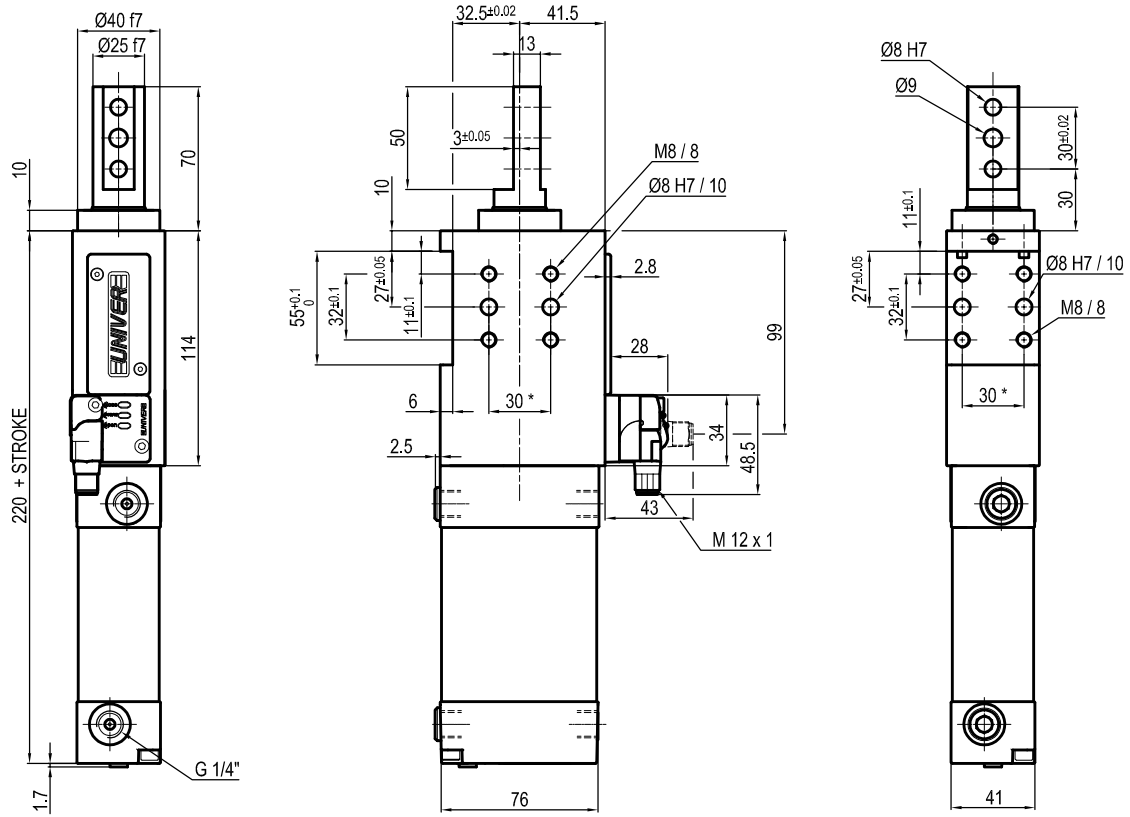
Bore Ø	Max. pull force	Max. push force	Max. torque	Max. deflection moment	Weight
50 mm	860 N	960 N	±0.06°	±0.03°	2,3 Kg

Min./max. operating pressure: **0,4 / 0,6 MPa**
 Operating temperature: **5° + 45° C**
 Strokes in mm.: **25 - 40 - 60**
 Electronic sensor with M12 swivel connector that can be orientated at 0° or 90°
 Supply voltage: 10+30 Vdc
 IP code: **IP 65**
 Pneumatic ports on both sides

* : TOLERANCE BETWEEN DOWEL HOLES ± 0.02, BETWEEN SCREW HOLES ± 0.1

Subject to technical modification without notice.

UNIVERSAL Retractable locating pin unit with improved pull force



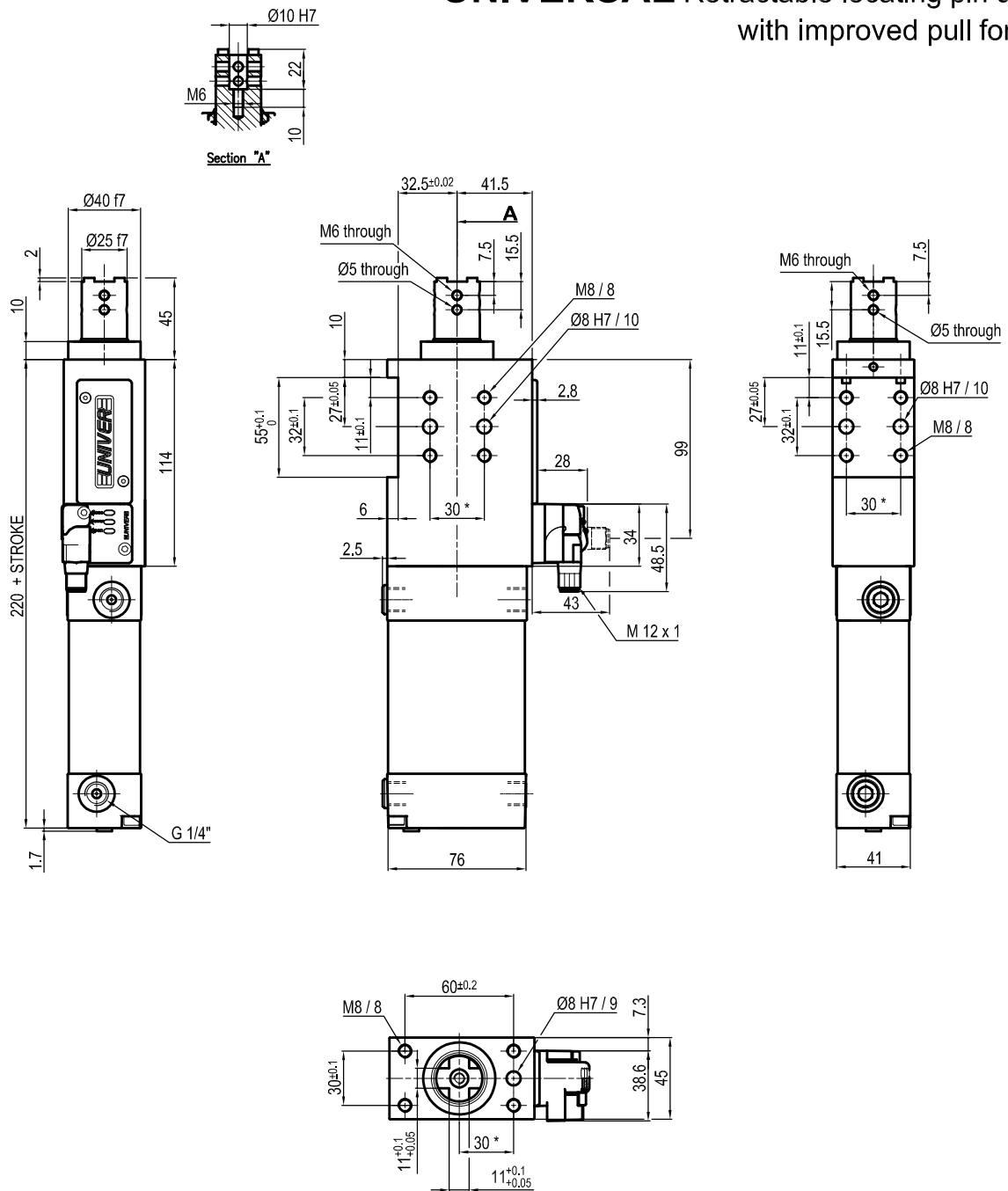
Bore Ø	Max. pull force 0.5 MPa	Max. push force 0.5 MPa	Max. torque 6 Nm	Max. deflection moment 7.5 Nm	Weight
50 mm	860 N	960 N	±0.06°	±0.03°	2.3 Kg

Min./max. operating pressure: **0,4 / 0,6 MPa**
 Operating temperature: **5° + 45° C**
 Strokes in mm.: **25 - 40 - 60**
 Electronic sensor with M12 swivel connector that can be orientated at 0° or 90°
 Supply voltage: 10+30 Vdc
 IP code: **IP 65**
 Pneumatic ports on both sides

* : TOLERANCE BETWEEN DOWEL HOLES ± 0.02, BETWEEN SCREW HOLES ± 0.1

Subject to technical modification without notice.

UNIVERSAL Retractable locating pin unit with improved pull force



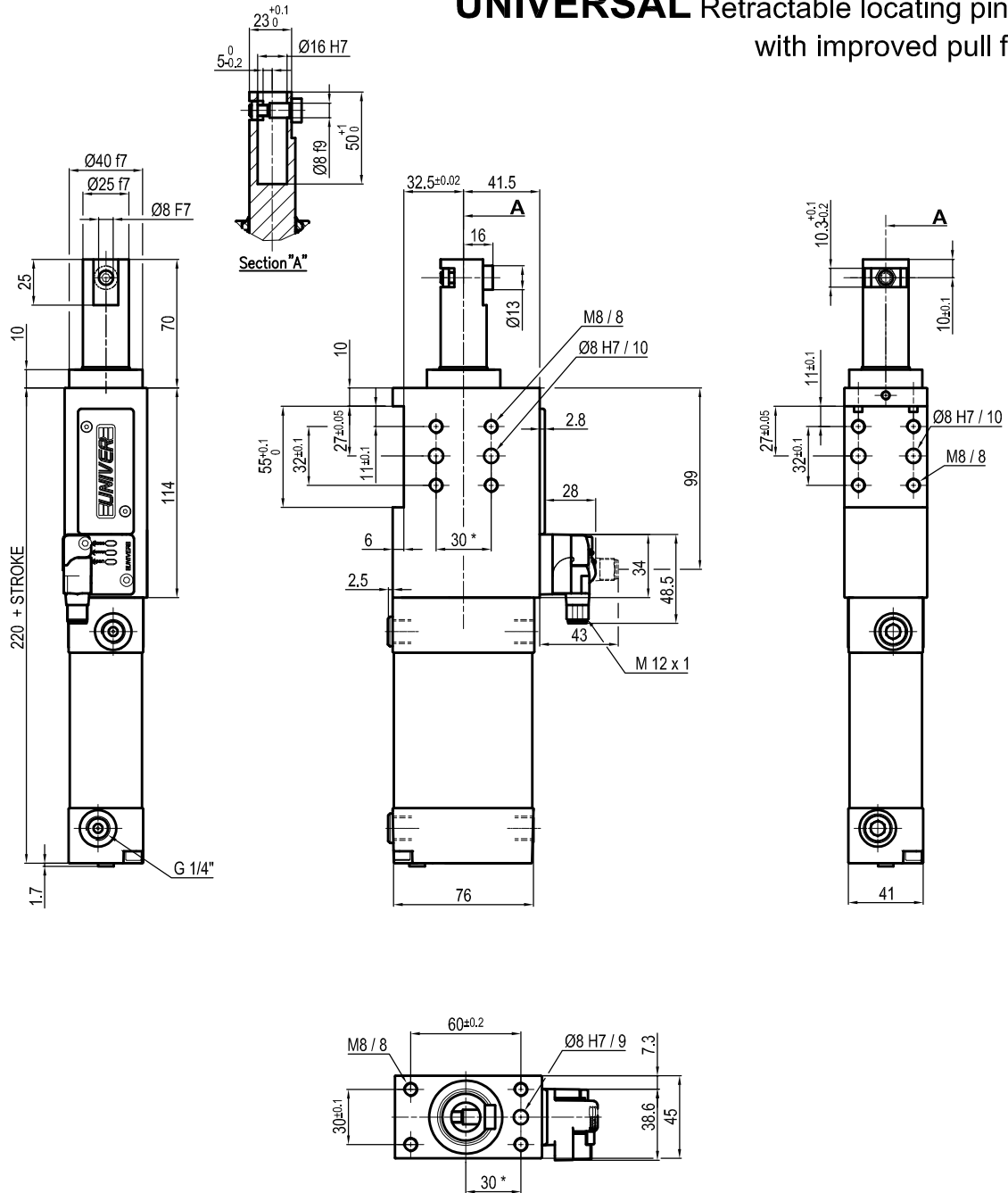
Bore Ø	Max. pull force 0.5 MPa	Max. push force 0.5 MPa	Max. torque 6 Nm	Max. deflection moment 7.5 Nm	Weight
50 mm	860 N	960 N	±0.06°	±0.03°	2.3 Kg

Min./max. operating pressure: **0,4 / 0,6 MPa**
 Operating temperature: **5° + 45° C**
 Strokes in mm.: **25 - 40 - 60**
 Electronic sensor with M12 swivel connector that can be orientated at 0° or 90°
 Supply voltage: 10+30 Vdc
 IP code: **IP 65**
 Pneumatic ports on both sides

* : TOLERANCE BETWEEN DOWEL HOLES ± 0.02, BETWEEN SCREW HOLES ± 0.1

Subject to technical modification without notice.

UNIVERSAL Retractable locating pin unit with improved pull force



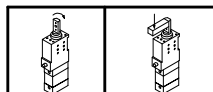
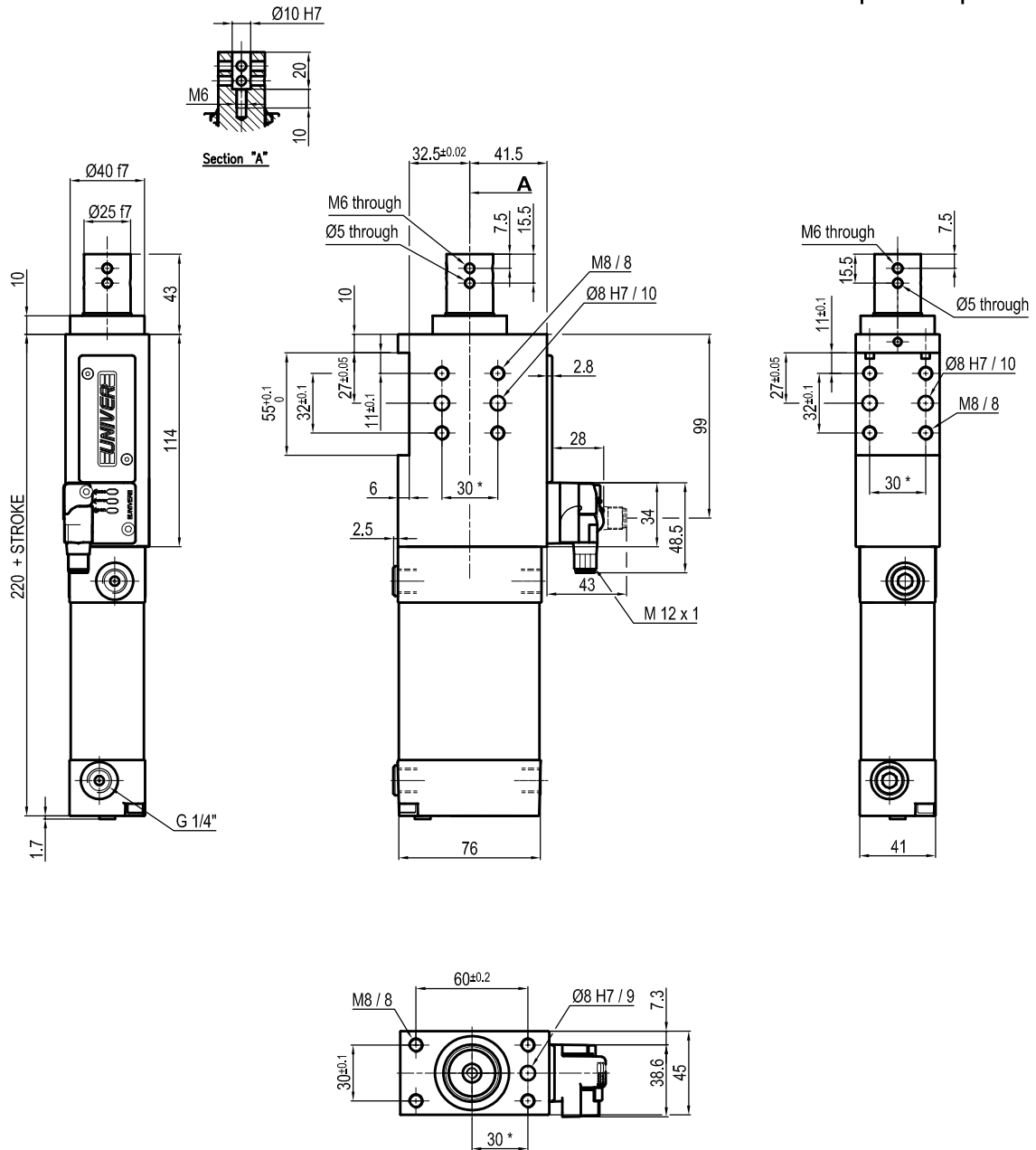
Bore Ø	Max. pull force	Max. push force	Max. torque	Max. deflection moment	Weight
50 mm	860 N	960 N	±0.06°	±0.03°	2,3 Kg

Min./max. operating pressure: **0,4 / 0,6 MPa**
 Operating temperature: **5° + 45° C**
 Strokes in mm.: **25 - 40 - 60**
 Electronic sensor with M12 swivel connector that can be orientated at 0° or 90°
 Supply voltage: 10+30 Vdc
 IP code: **IP 65**
 Pneumatic ports on both sides

* : TOLERANCE BETWEEN DOWEL HOLES ± 0.02, BETWEEN SCREW HOLES ± 0.1

Subject to technical modification without notice.

UNIVERSAL Retractable locating pin unit with improved pull force



Bore Ø	Max. pull force 0.5 MPa	Max. push force 0.5 MPa	Max. torque 6 Nm	Max. deflection moment 7.5 Nm	Weight
50 mm	860 N	960 N	±0.06°	±0.03°	2.3 Kg

Min./max. operating pressure: **0,4 / 0,6 MPa**

Operating temperature: **5° + 45° C**

Strokes in mm.: **25 - 40 - 60**

Electronic sensor with M12 swivel connector that can be orientated at 0° or 90°

Supply voltage: 10+30 Vdc

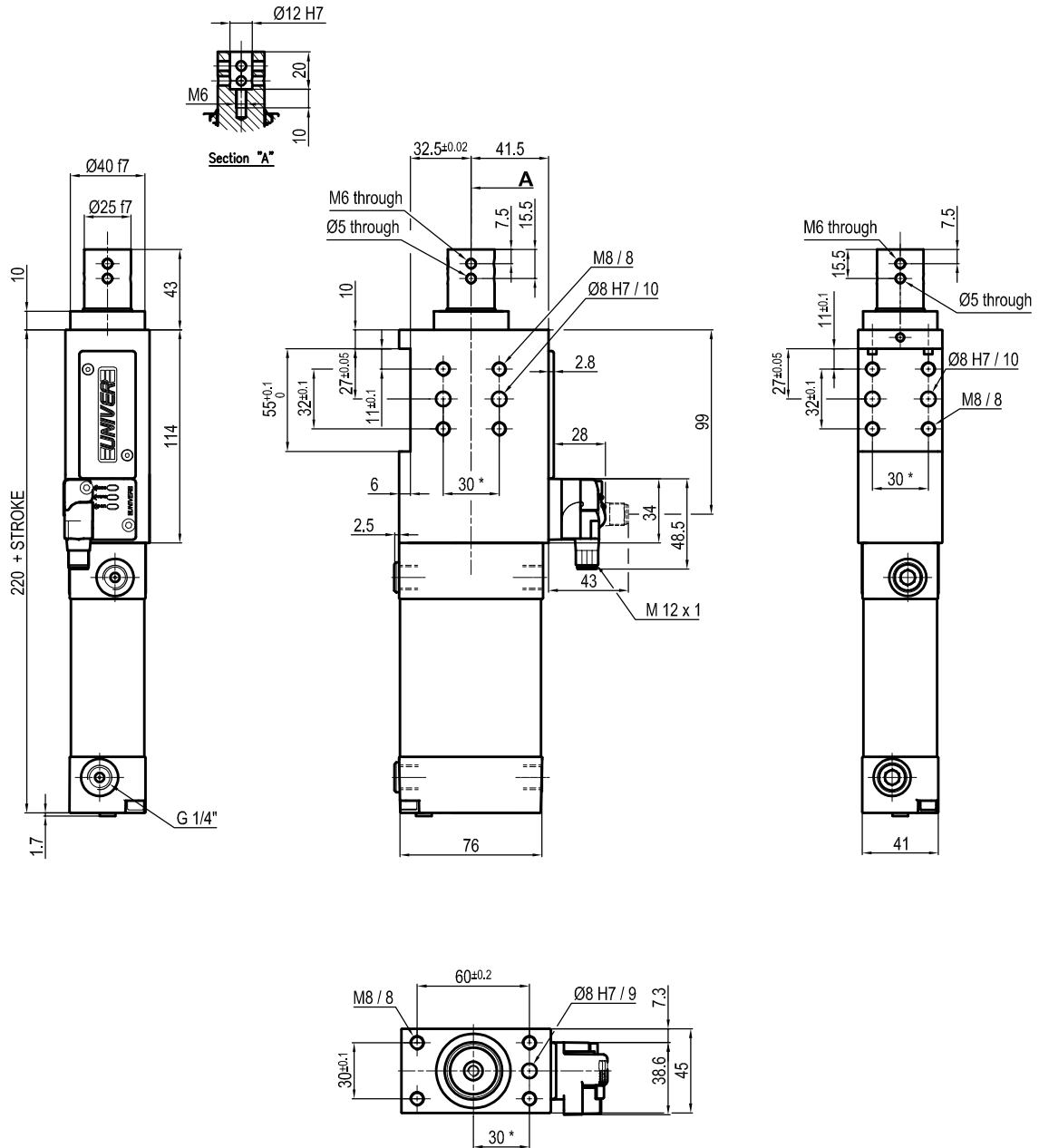
IP code: **IP 65**

Pneumatic ports on both sides

* : TOLERANCE BETWEEN DOWEL HOLES ± 0.02, BETWEEN SCREW HOLES ± 0.1

Subject to technical modification without notice.

UNIVERSAL Retractable locating pin unit with improved pull force



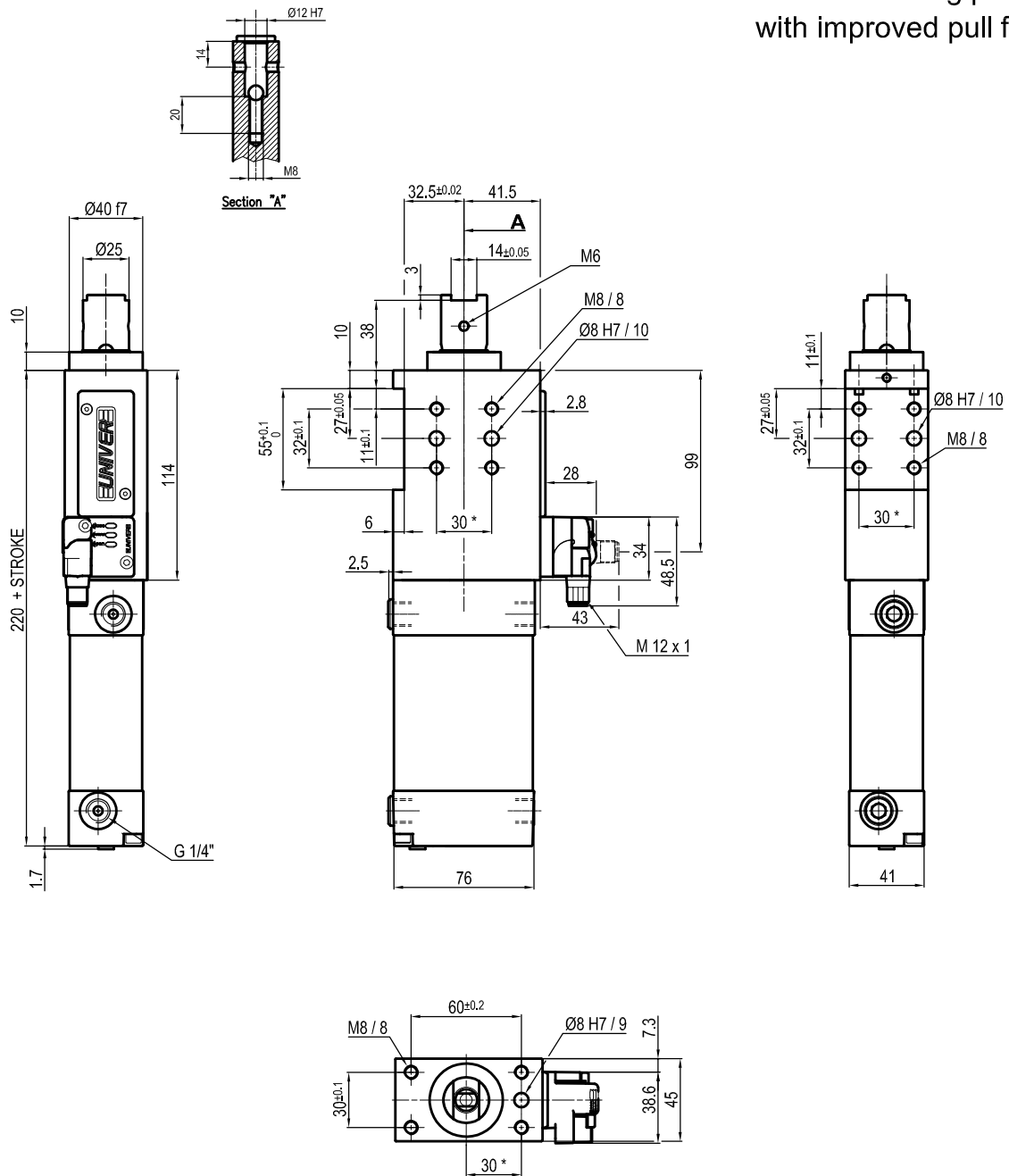
Bore \varnothing	Max. pull force	Max. push force	Max. torque	Max. deflection moment	Weight
50 mm	860 N	960 N	±0.06°	±0.03°	2.3 Kg

Min./max. operating pressure: **0,4 / 0,6 MPa**
 Operating temperature: **5° + 45° C**
 Strokes in mm.: **25 - 40 - 60**
 Electronic sensor with M12 swivel connector that can be orientated at 0° or 90°
 Supply voltage: 10+30 Vdc
 IP code: **IP 65**
 Pneumatic ports on both sides

* : TOLERANCE BETWEEN DOWEL HOLES ± 0.02, BETWEEN SCREW HOLES ± 0.1

Subject to technical modification without notice.

UNIVERSAL Retractable locating pin unit with improved pull force



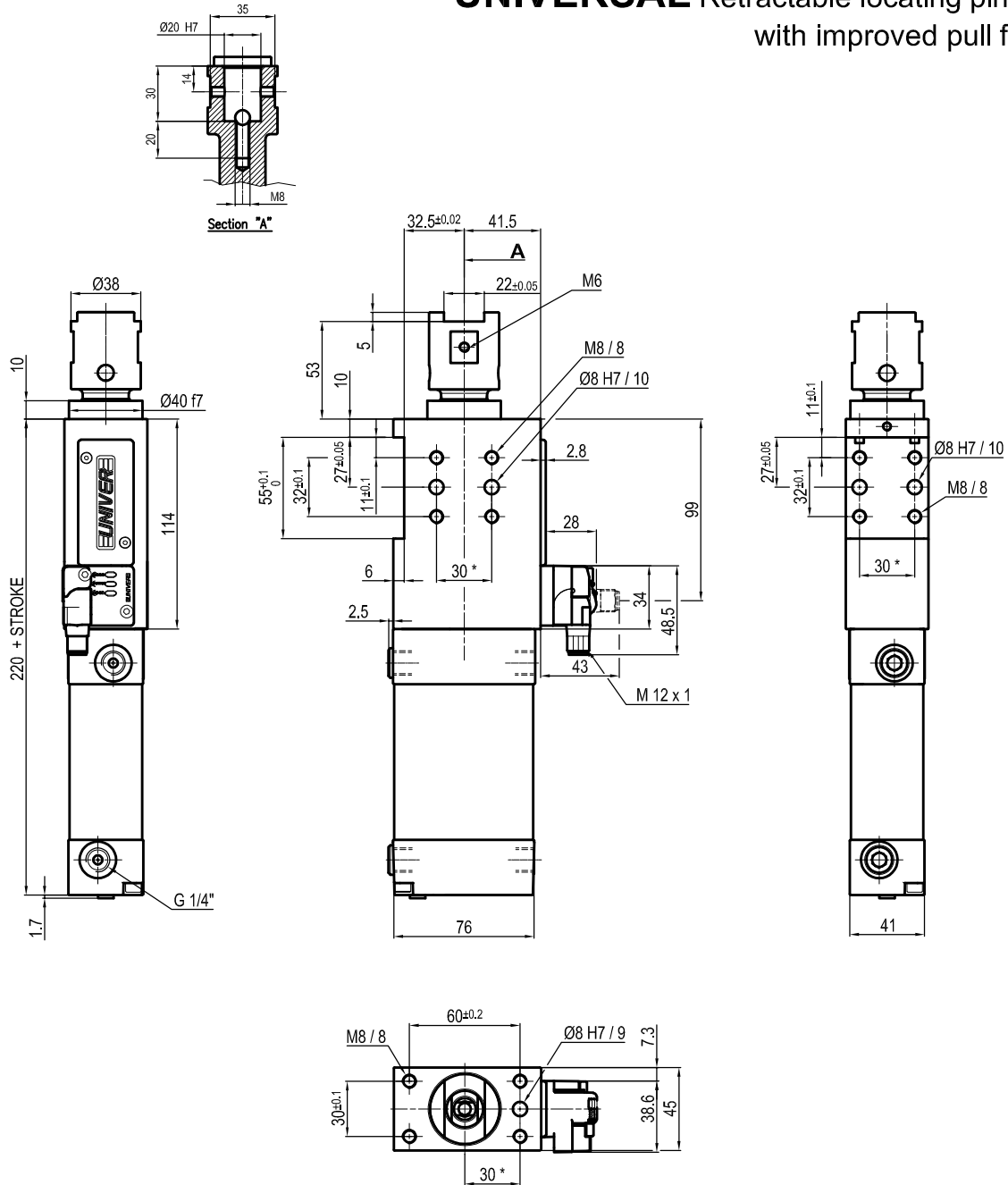
Bore Ø	Max. pull force	Max. push force	Max. torque	Max. deflection moment	Weight
50 mm	860 N	960 N	±0.06°	±0.03°	2.3 Kg

Min./max. operating pressure: **0,4 / 0,6 MPa**
 Operating temperature: **5° + 45° C**
 Strokes in mm.: **25 - 40 - 60**
 Electronic sensor with M12 swivel connector that can be orientated at 0° or 90°
 Supply voltage: 10+30 Vdc
 IP code: **IP 65**
 Pneumatic ports on both sides

* : TOLERANCE BETWEEN DOWEL HOLES ± 0.02, BETWEEN SCREW HOLES ± 0.1

Subject to technical modification without notice.

UNIVERSAL Retractable locating pin unit with improved pull force



Bore Ø	Max. pull force	Max. push force	Max. torque	Max. deflection moment	Weight
50 mm	860 N	960 N	±0.06°	±0.03°	2.3 Kg

Min./max. operating pressure: **0,4 / 0,6 MPa**
 Operating temperature: **5° + 45° C**
 Strokes in mm.: **25 - 40 - 60**
 Electronic sensor with M12 swivel connector that can be orientated at 0° or 90°
 Supply voltage: 10+30 Vdc
 IP code: **IP 65**
 Pneumatic ports on both sides

* : TOLERANCE BETWEEN DOWEL HOLES ± 0.02, BETWEEN SCREW HOLES ± 0.1

Subject to technical modification without notice.

LCJ50

Pneumatic retractable locating pin unit,
higher traction force,
single rod



L	C	J	5	0	0	5	0	E	A	E	R
1	2	3	4				5	6	7	8	

1 Series	2 Version	3 Size
-----------------	------------------	---------------

LC = Retractable locating pin unit

P = Pneumatic-standard, higher traction force, single rod

50 = Ø 50 mm

4 Strokes	5 Sensor	6 Rod end style
------------------	-----------------	------------------------

025 = 25 mm
040 = 40 mm
060 = 60 mm

D = Pneumatic sensor with double air supply
N = No sensor (with protection plate)
E = Electronic sensor with M12 swivel connector

A = Rod for off-set pins
B = Rod with profiled end
C = Rod with cross-profiled end inner Ø 16 mm
D = Rod for off-set pins with oversized dowel holes
E = Rod with cross-profiled end inner Ø 10 mm
F = Rod for side mounting
H = Rod with flat end, inner Ø 10 mm
I = Rod with flat end, inner Ø 12 mm
L = Rod with 12 mm hole compatible with CNOMO LCG
M = Rod with 20 mm hole compatible with CNOMO LCG

7 Rod orientation	8 Rod scraper
--------------------------	----------------------

E = east, standard



O = west



N = north



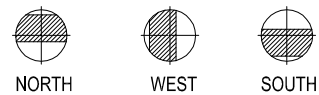
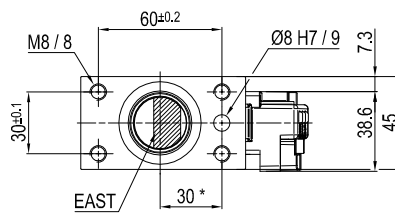
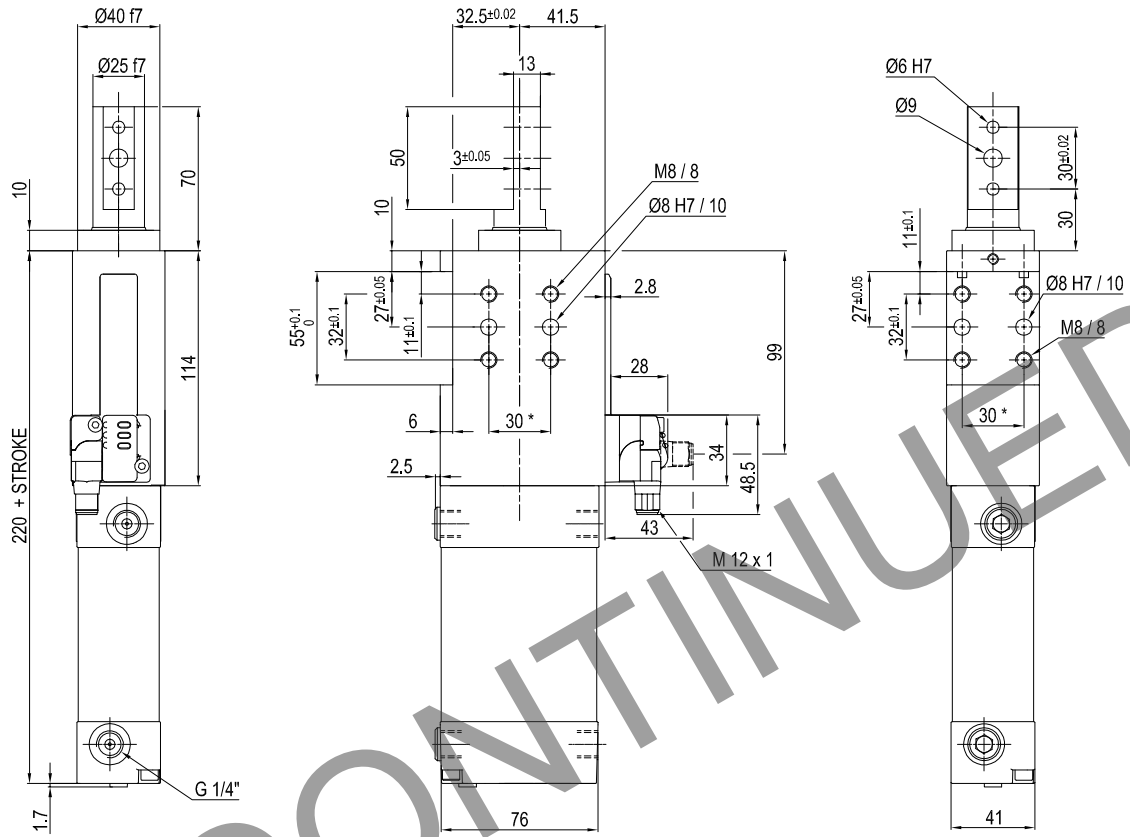
S = south



R = Metallic rod scraper

Only with A and D rod end styles

UNIVERSAL Retractable locating pin unit with improved pull force



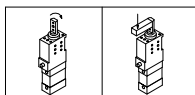
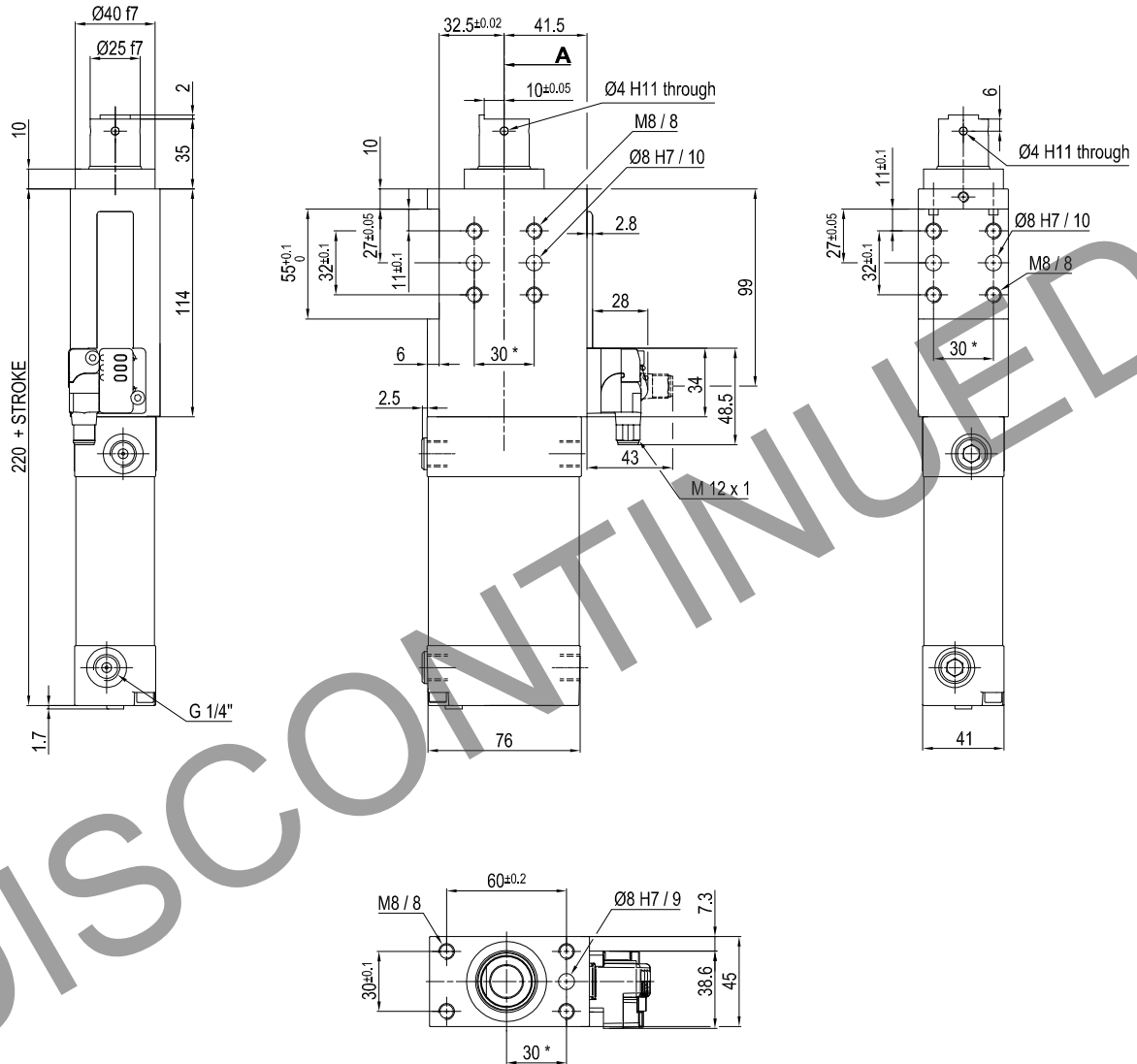
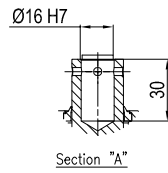
Bore Ø	Max. torque	Max. deflection moment	Weight
50 mm	6 Nm ±0.06°	7.5 Nm ±0.03°	2.3 Kg

Min./max. operating pressure: **0,4 / 0,6 MPa**
 Operating temperature: **5° + 45° C**
 Strokes in mm.: **25 - 40 - 60**
 Electronic sensor with M12 swivel connector that can be orientated at 0° or 90°
 Supply voltage: 10+30 Vdc
 IP code: **IP 65**
 Pneumatic ports on both sides

* : TOLERANCE BETWEEN DOWEL HOLES ± 0.02, TO SCREW HOLES ± 0.1

Subject to technical modification without notice.

UNIVERSAL Retractable locating pin unit with improved pull force



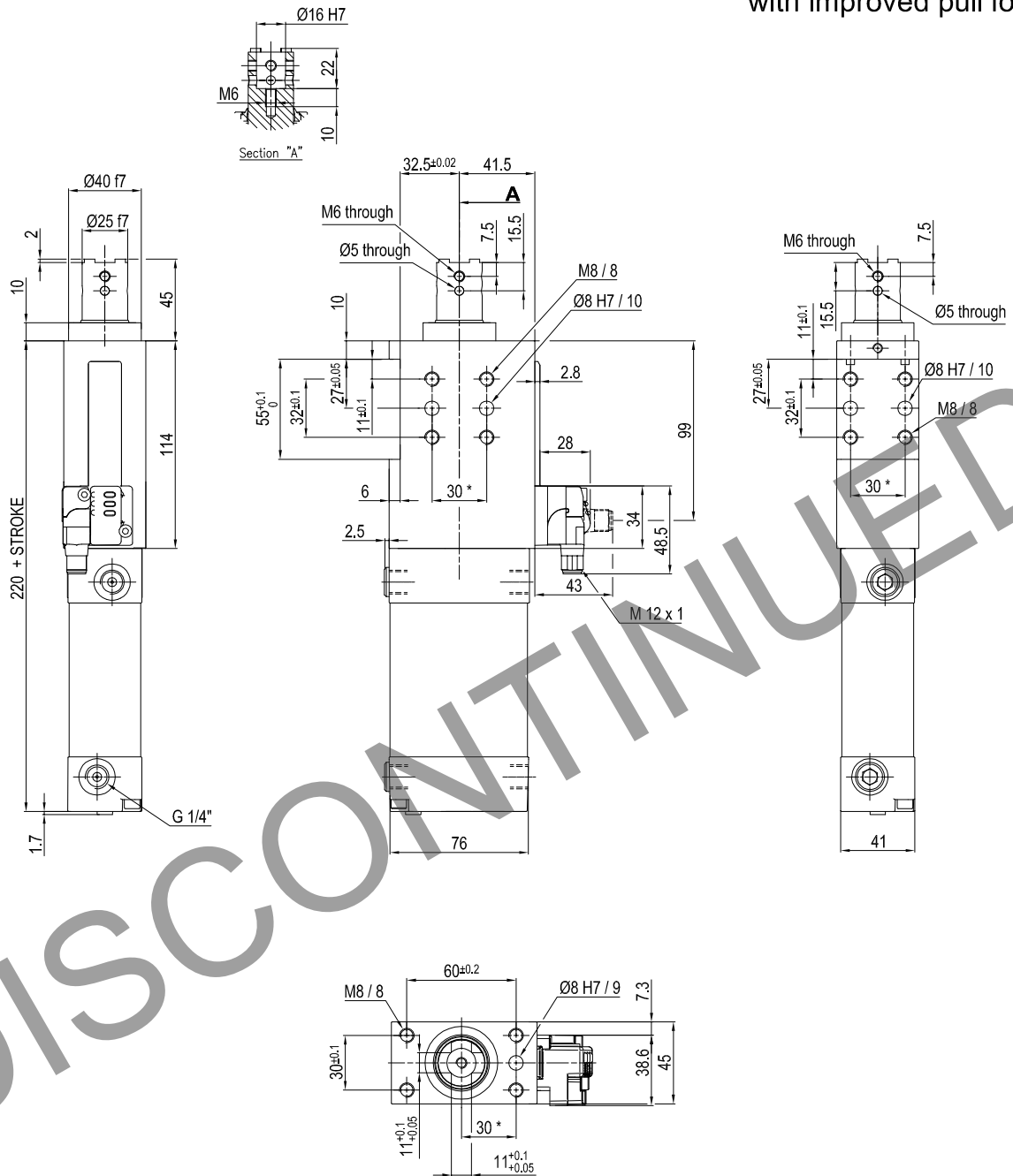
Bore Ø	Max. torque	Max. deflection moment	Weight
50 mm	6 Nm ±0.06°	7.5 Nm ±0.03°	2.3 Kg

Min./max. operating pressure: **0,4 / 0,6 MPa**
 Operating temperature: **5° + 45° C**
 Strokes in mm.: **25 - 40 - 60**
 Electronic sensor with M12 swivel connector that can be orientated at 0° or 90°
 Supply voltage: 10+30 Vdc
 IP code: **IP 65**
 Pneumatic ports on both sides

* : TOLERANCE BETWEEN DOWEL HOLES ± 0.02, TO SCREW HOLES ± 0.1

Subject to technical modification without notice.

UNIVERSAL Retractable locating pin unit with improved pull force



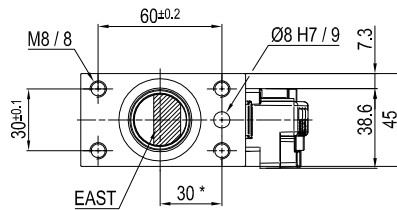
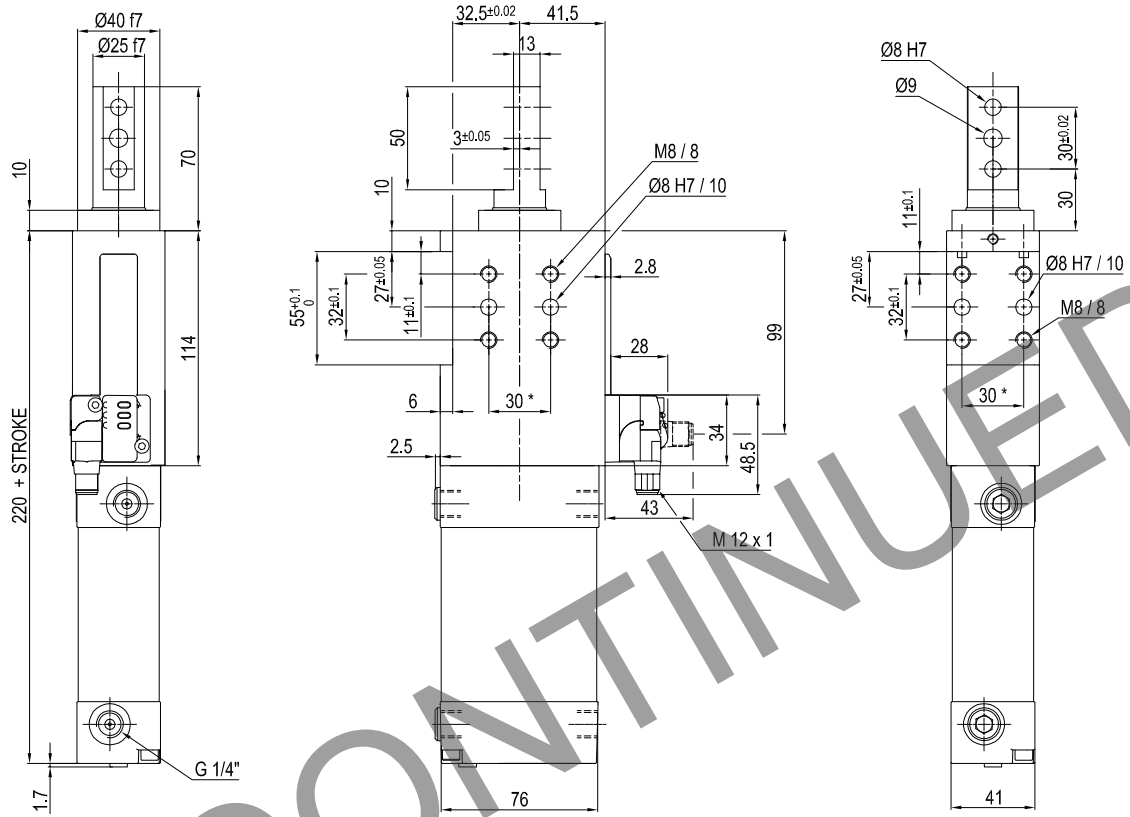
Bore Ø	Max. torque	Max. deflection moment	Weight
50 mm	6 Nm ±0.06°	7.5 Nm ±0.03°	2.3 Kg

Min./max. operating pressure: **0,4 / 0,6 MPa**
 Operating temperature: **5° + 45° C**
 Strokes in mm.: **25 - 40 - 60**
 Electronic sensor with M12 swivel connector that can be orientated at 0° or 90°
 Supply voltage: 10+30 Vdc
 IP code: **IP 65**
 Pneumatic ports on both sides

* : TOLERANCE BETWEEN DOWEL HOLES ± 0.02, TO SCREW HOLES ± 0.1

Subject to technical modification without notice.

UNIVERSAL Retractable locating pin unit with improved pull force



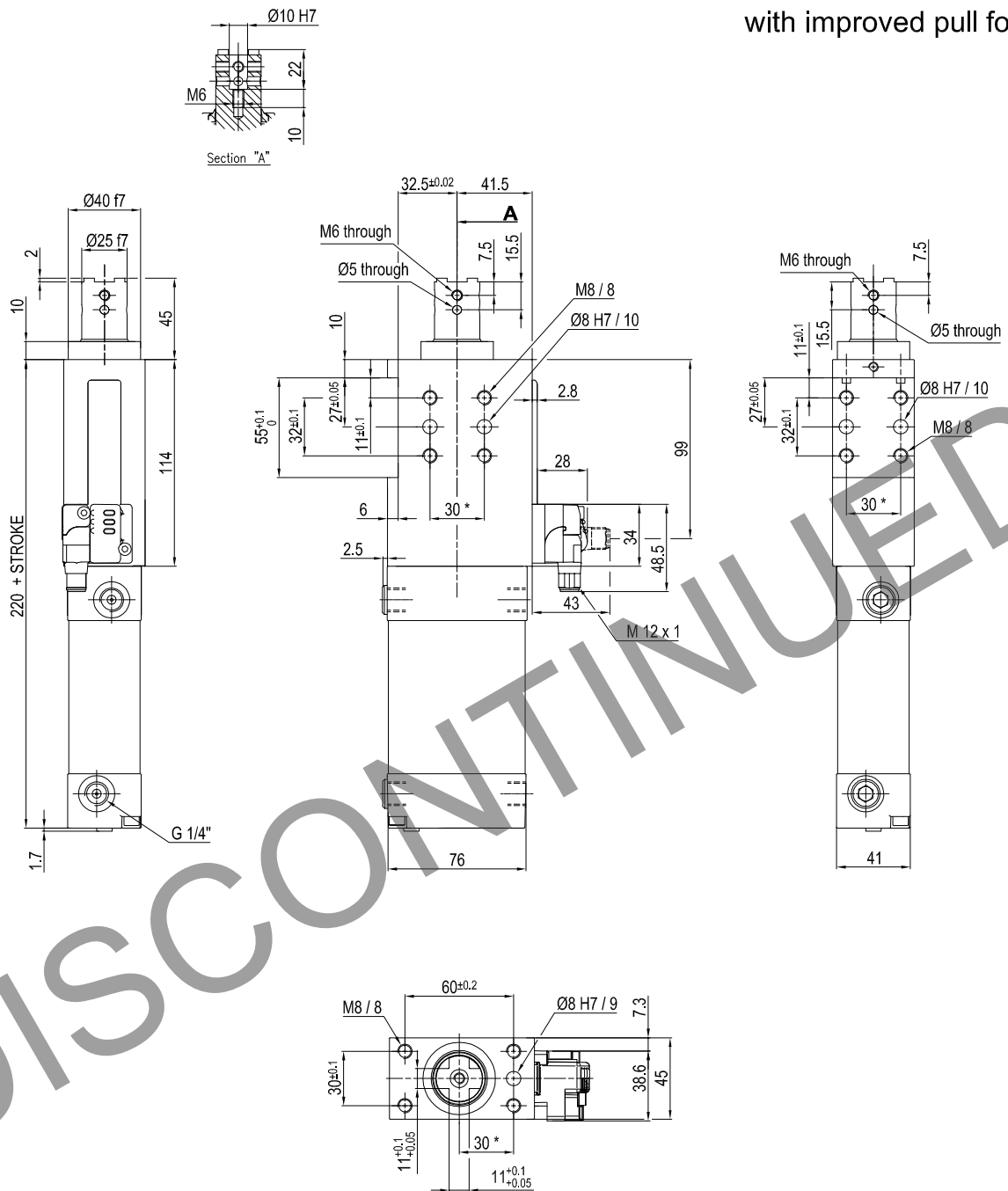
Bore Ø	Max. torque	Max. deflection moment	Weight
50 mm	6 Nm ±0.06°	7.5 Nm ±0.03°	2.3 Kg

Min./max. operating pressure: **0,4 / 0,6 MPa**
 Operating temperature: **5° + 45° C**
 Strokes in mm.: **25 - 40 - 60**
 Electronic sensor with M12 swivel connector that can be orientated at 0° or 90°
 Supply voltage: 10+30 Vdc
 IP code: **IP 65**
 Pneumatic ports on both sides

* : TOLERANCE BETWEEN DOWEL HOLES ± 0.02, TO SCREW HOLES ± 0.1

Subject to technical modification without notice.

UNIVERSAL Retractable locating pin unit with improved pull force



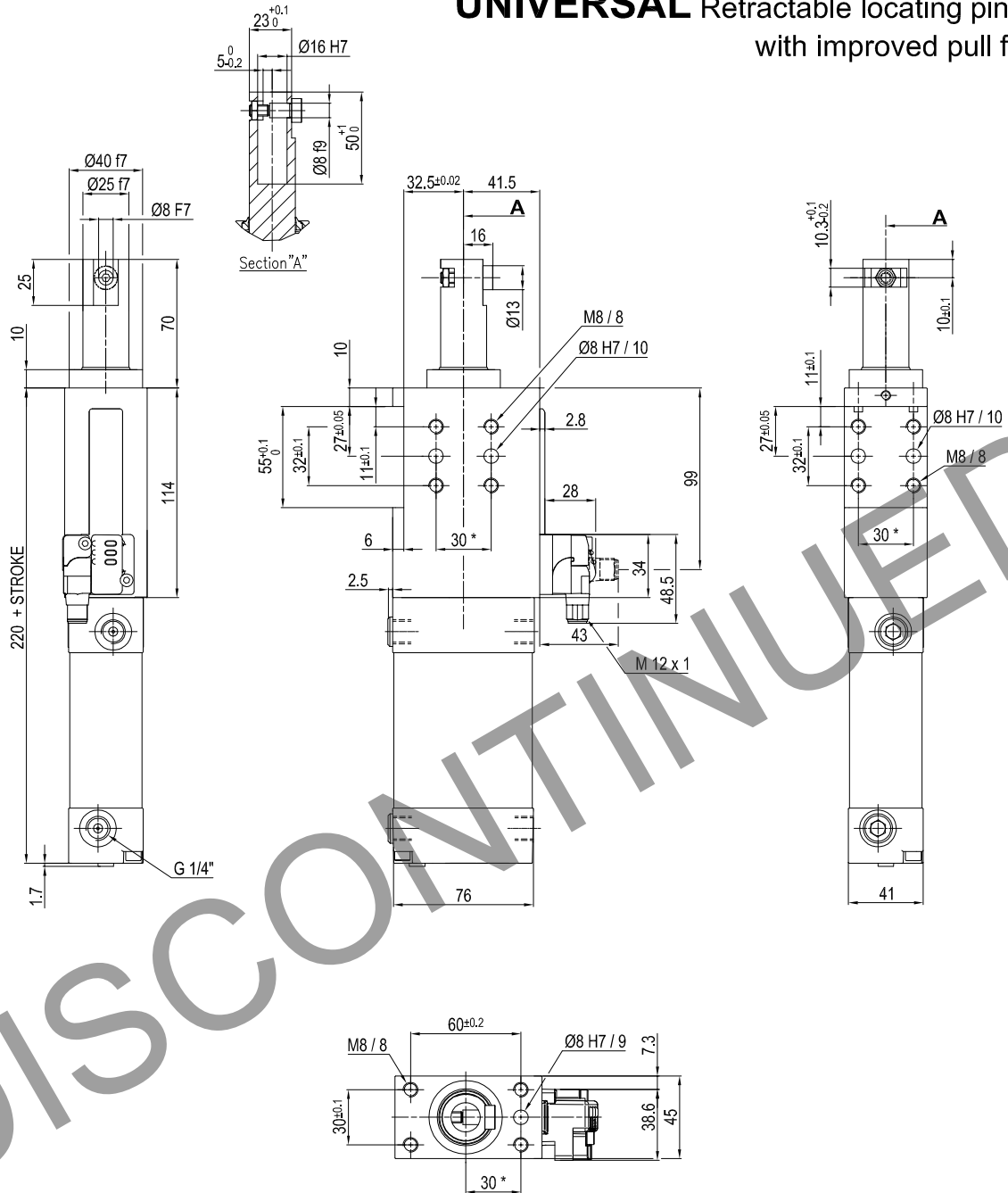
Bore Ø	Max. torque	Max. deflection moment	Weight
50 mm	6 Nm ±0.06°	7.5 Nm ±0.03°	2.3 Kg

Min./max. operating pressure: **0,4 / 0,6 MPa**
 Operating temperature: **5° + 45° C**
 Strokes in mm.: **25 - 40 - 60**
 Electronic sensor with M12 swivel connector that can be orientated at 0° or 90°
 Supply voltage: 10+30 Vdc
 IP code: **IP 65**
 Pneumatic ports on both sides

* : TOLERANCE BETWEEN DOWEL HOLES ± 0.02, TO SCREW HOLES ± 0.1

Subject to technical modification without notice.

UNIVERSAL Retractable locating pin unit with improved pull force



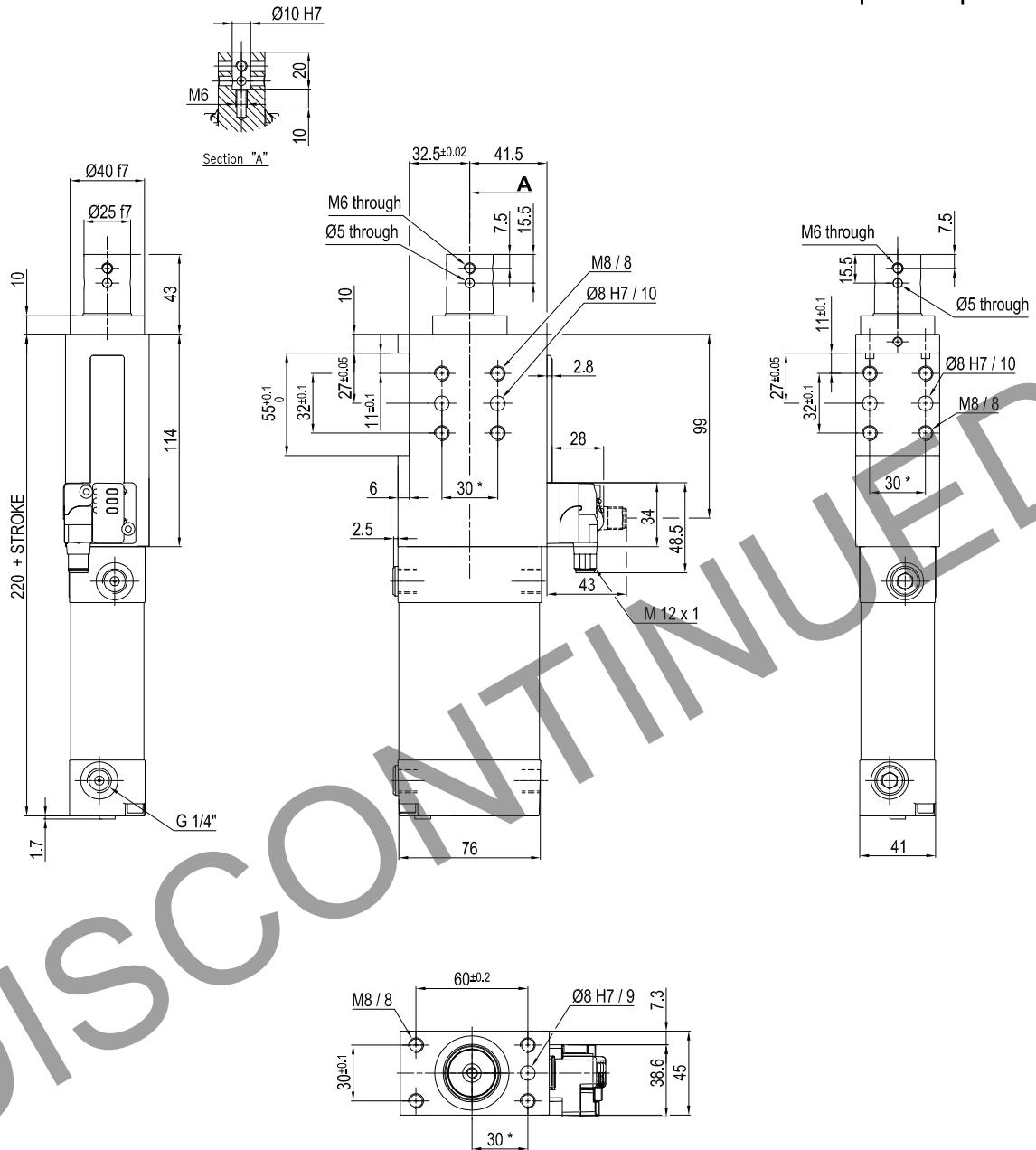
Bore Ø	Max. torque	Max. deflection moment	Weight
50 mm	6 Nm ±0.06°	7.5 Nm ±0.03°	2.3 Kg

Min./max. operating pressure: **0,4 / 0,6 MPa**
 Operating temperature: **5° + 45° C**
 Strokes in mm.: **25 - 40 - 60**
 Electronic sensor with M12 swivel connector that can be orientated at 0° or 90°
 Supply voltage: 10+30 Vdc
 IP code: **IP 65**
 Pneumatic ports on both sides

* : TOLERANCE BETWEEN DOWEL HOLES ± 0.02, TO SCREW HOLES ± 0.1

Subject to technical modification without notice.

UNIVERSAL Retractable locating pin unit with improved pull force



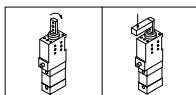
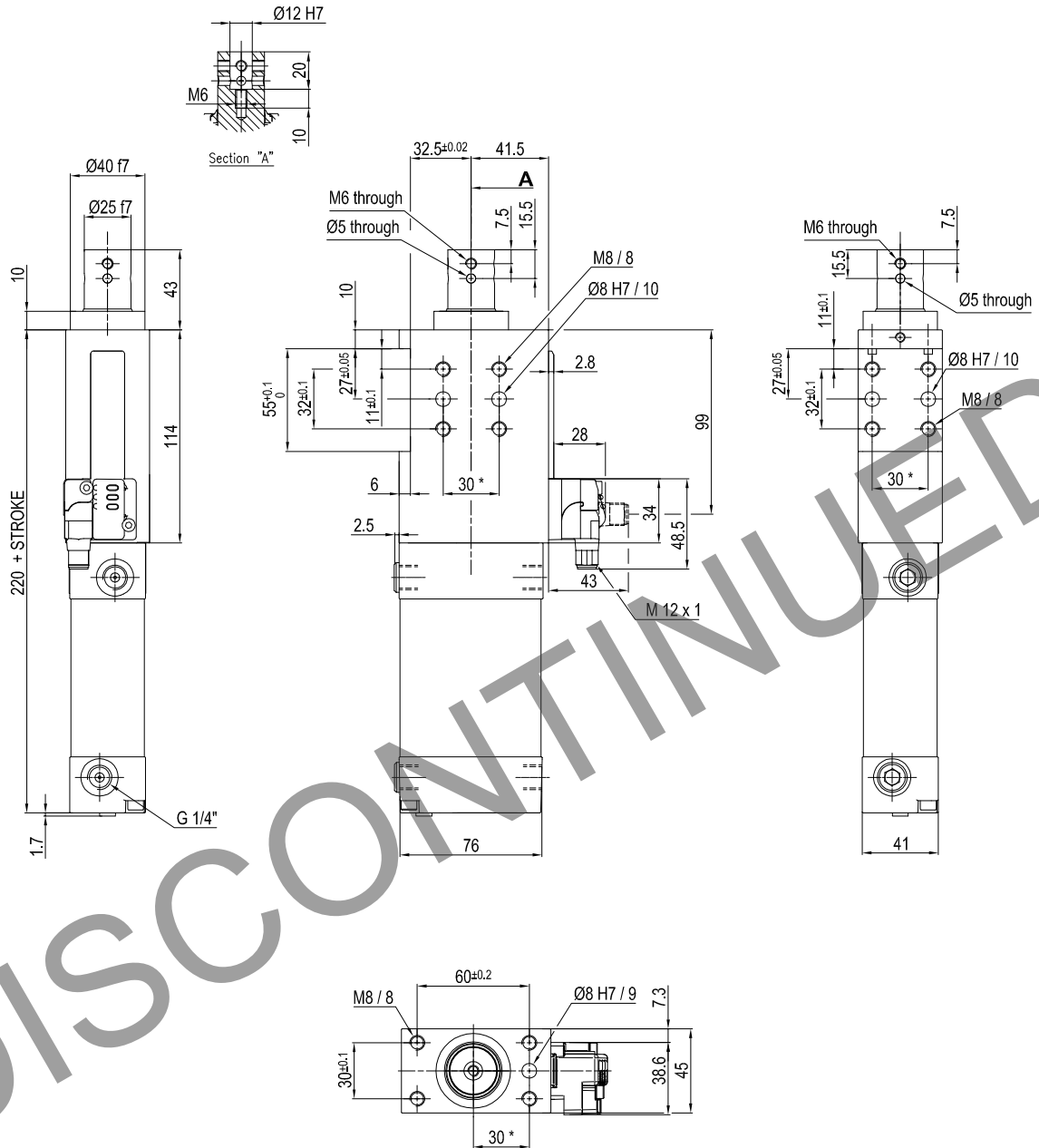
Bore Ø	Max. torque	Max. deflection moment	Weight
50 mm	6 Nm ±0.06°	7.5 Nm ±0.03°	2.3 Kg

Min./max. operating pressure: **0,4 / 0,6 MPa**
 Operating temperature: **5° + 45° C**
 Strokes in mm.: **25 - 40 - 60**
 Electronic sensor with M12 swivel connector that can be orientated at 0° or 90°
 Supply voltage: 10+30 Vdc
 IP code: **IP 65**
 Pneumatic ports on both sides

* : TOLERANCE BETWEEN DOWEL HOLES ± 0.02, TO SCREW HOLES ± 0.1

Subject to technical modification without notice.

UNIVERSAL Retractable locating pin unit with improved pull force



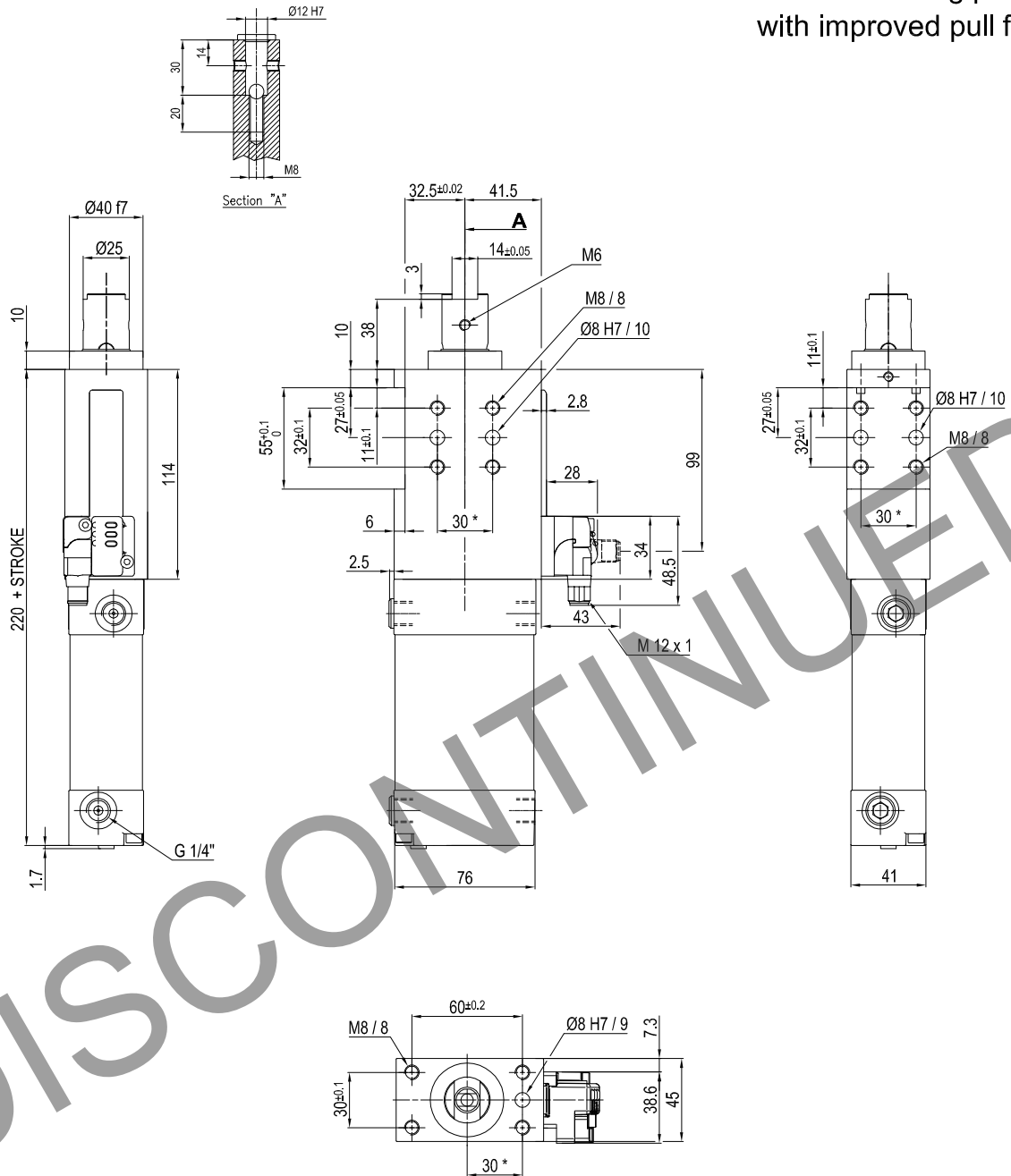
Bore Ø	Max. torque	Max. deflection moment	Weight
50 mm	6 Nm ±0.06°	7.5 Nm ±0.03°	2.3 Kg

Min./max. operating pressure: 0,4 / 0,6 MPa
 Operating temperature: 5° + 45° C
 Strokes in mm.: 25 - 40 - 60
 Electronic sensor with M12 swivel connector that can be orientated at 0° or 90°
 Supply voltage: 10+30 Vdc
 IP code: IP 65
 Pneumatic ports on both sides

* : TOLERANCE BETWEEN DOWEL HOLES ± 0.02, TO SCREW HOLES ± 0.1

Subject to technical modification without notice.

UNIVERSAL Retractable locating pin unit with improved pull force



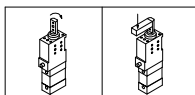
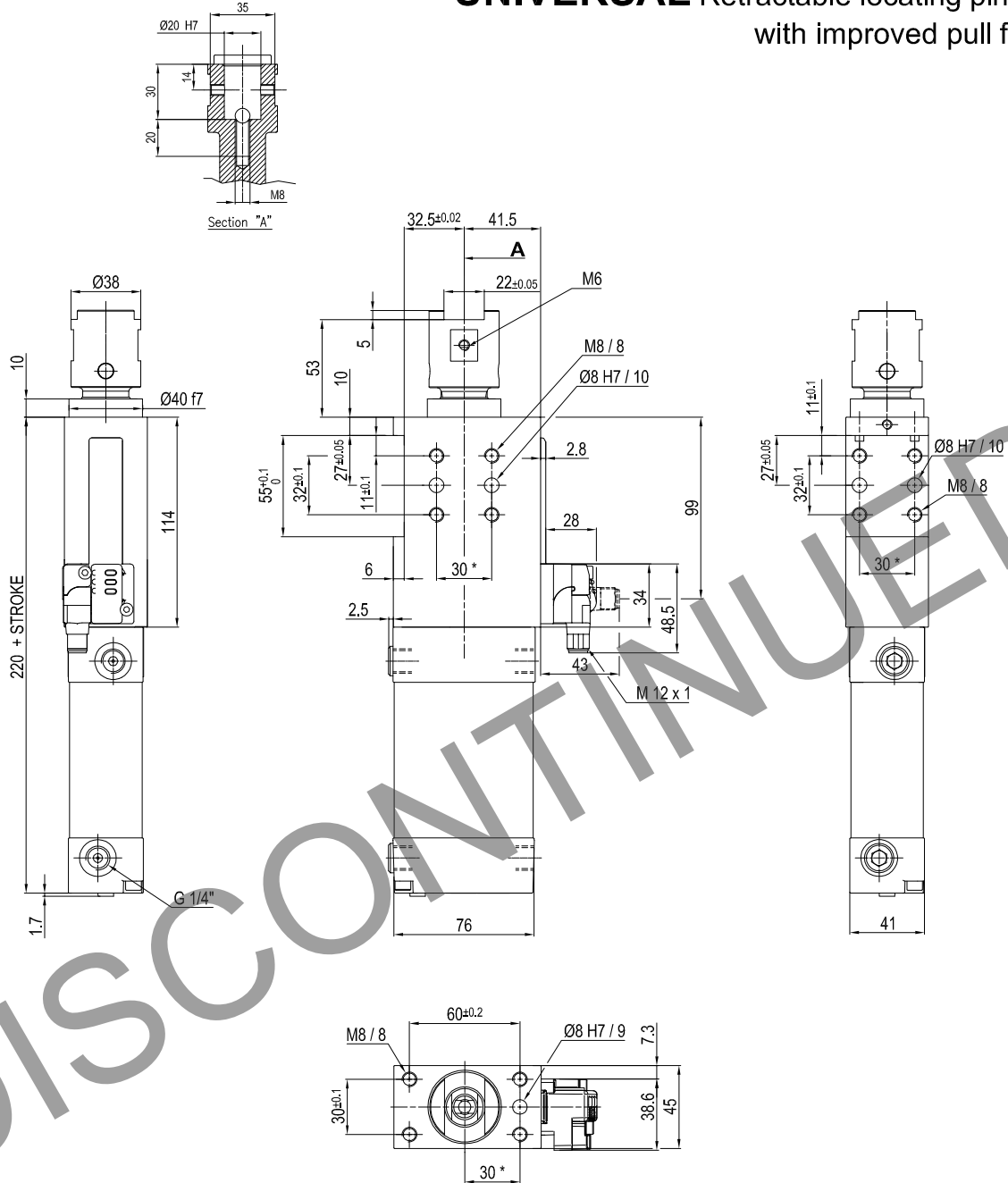
Bore Ø	Max. torque	Max. deflection moment	Weight
50 mm	6 Nm ±0.06°	7.5 Nm ±0.03°	2.3 Kg

Min./max. operating pressure: **0,4 / 0,6 MPa**
 Operating temperature: **5° + 45° C**
 Strokes in mm.: **25 - 40 - 60**
 Electronic sensor with M12 swivel connector that can be orientated at 0° or 90°
 Supply voltage: 10+30 Vdc
 IP code: **IP 65**
 Pneumatic ports on both sides

* : TOLERANCE BETWEEN DOWEL HOLES ± 0.02, TO SCREW HOLES ± 0.1

Subject to technical modification without notice.

UNIVERSAL Retractable locating pin unit with improved pull force



Bore Ø	Max. torque	Max. deflection moment	Weight
50 mm	6 Nm ±0.06°	7.5 Nm ±0.03°	2.3 Kg

Min./max. operating pressure: **0,4 / 0,6 MPa**
 Operating temperature: **5° + 45° C**
 Strokes in mm.: **25 - 40 - 60**
 Electronic sensor with M12 swivel connector that can be orientated at 0° or 90°
 Supply voltage: 10+30 Vdc
 IP code: **IP 65**
 Pneumatic ports on both sides

* : TOLERANCE BETWEEN DOWEL HOLES ± 0.02, TO SCREW HOLES ± 0.1

Subject to technical modification without notice.