

DMS70

Pneumatic power clamps
conforming to **CNOMO** Standard



D	M	S	0	7	0	M	P	N	E	E	T	N
1		2			3		4	5	6			

1 Series	2 Size	3 Mechanims
-----------------	---------------	--------------------

DMS = Pneumatic power clamp conforming to CNOMO Standard

070 = 70 Nm (body 40, cylinder Ø 40mm)

MP = pneumatic mechanism

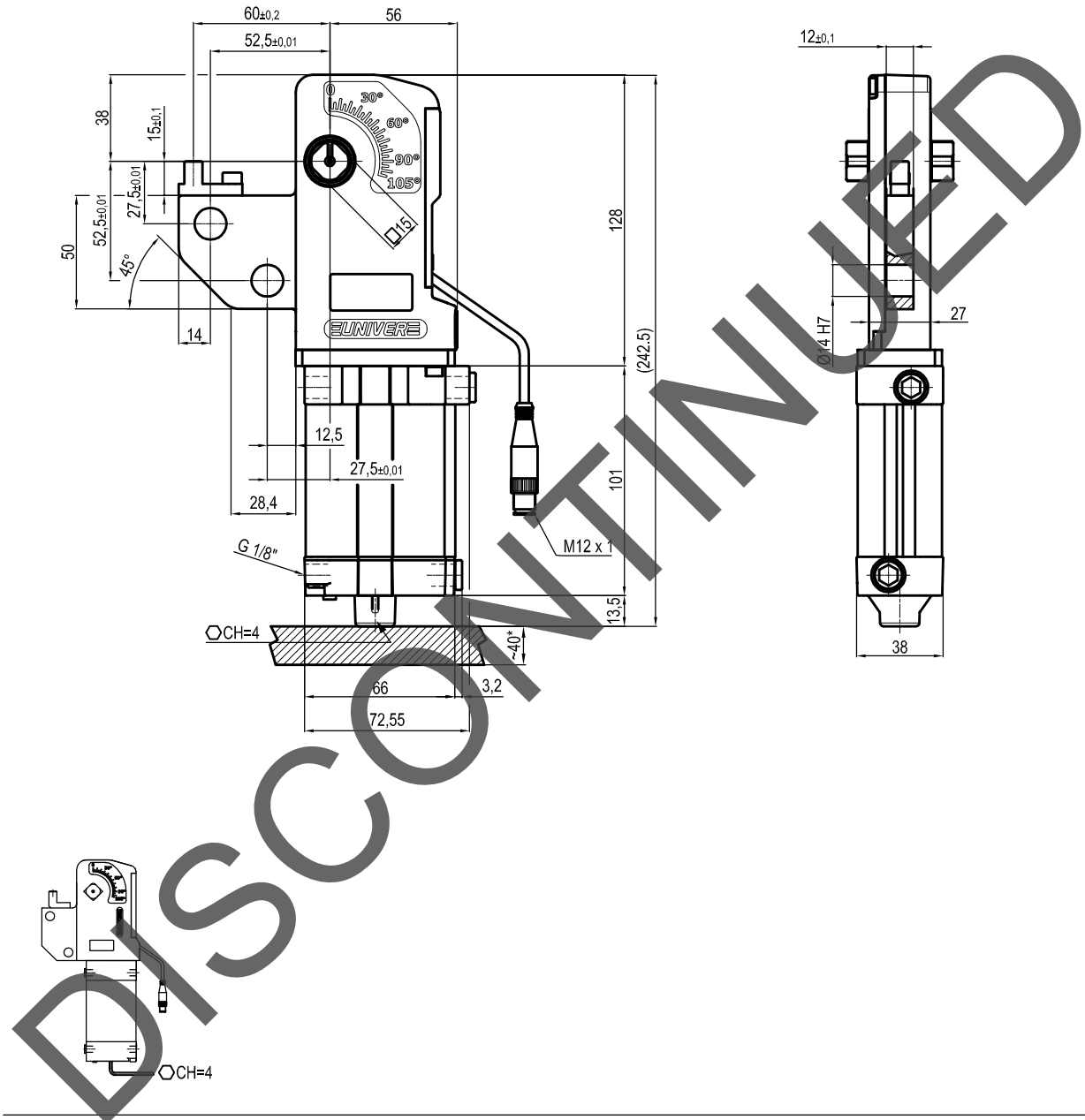
4 Brake	5 Sensor/Version	6 Arm
----------------	-------------------------	--------------

N = without brake system
V = with brake system

S = No sensor
E = **UNIVERSAL** version, with three-wire electronic sensor and stepless adjustment of the opening angle from 45° to 105°

ETN = standard arm for horizontal/vertical position
NNN = without arm

UNIVERSAL Power clamp conforming to the CNOMO standard



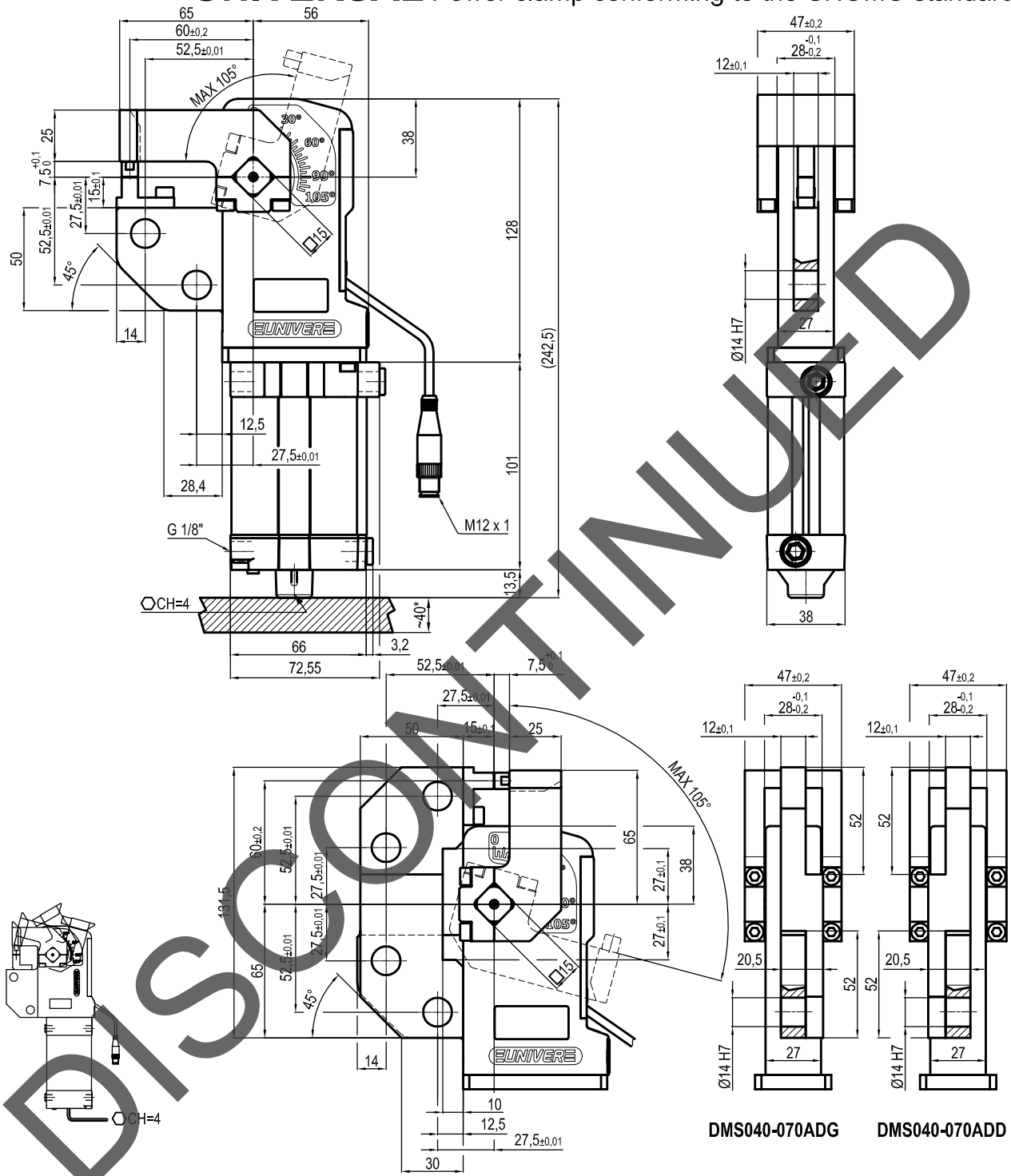
Size	Cylinder	Weight
070	40	1.5 Kg.

Min./Max. operating pressure: **0,4 / 0,6 MPa**
 Operating temperature: **5° + 45° C**
 Opening angle: **adjustable**
 Electronic sensor with M12
 Supply voltage: 10-30 Vdc
 IP code: **IP 65**
 Pneumatic ports on both sides

* : AREA TO ACCES ANGLE ADJUSTMENT

Subject to technical modifications without notice

UNIVERSAL Power clamp conforming to the CNOMO standard



Size	Cylinder	Weight
070	40	1.5 Kg.

Min./Max. operating pressure: **0,4 / 0,6 MPa**
 Operating temperature: **5° + 45° C**
 Opening angle: **adjustable from 45° to 105°**
 Electronic sensor with M12
 Supply voltage: 10+30 Vdc
 IP code: **IP 65**
 Pneumatic ports on both sides

* : AREA TO ACCES ANGLE ADJUSTMENT

Subject to technical modifications without notice