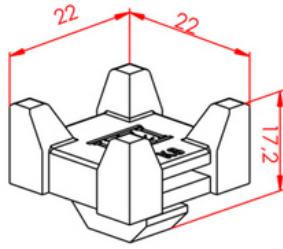


CABLE HOLDER WITHOUT CAP S8

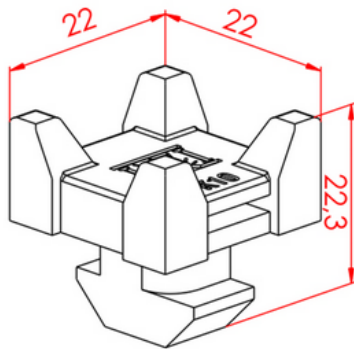


General Specifications

Ensures proper connection of cables, used in automation operations, on the profiles.
Prevents any possible visual pollution.

Stock Code	Stock Name	Material	Weight (gr)
2.2.012.08.002	Cable Holder without Cap S8	Nylon 6	3,55

CABLE HOLDER WITHOUT CAP S10



General Specifications

Allows cables used in automation applications to connect to profiles correctly. Eliminates image pollution that may occur.

Stock Code	Stock Name	Material	Weight (gr)
2.2.012.10.002	Cable Holder without Cap S10	Nylon 6	4,24